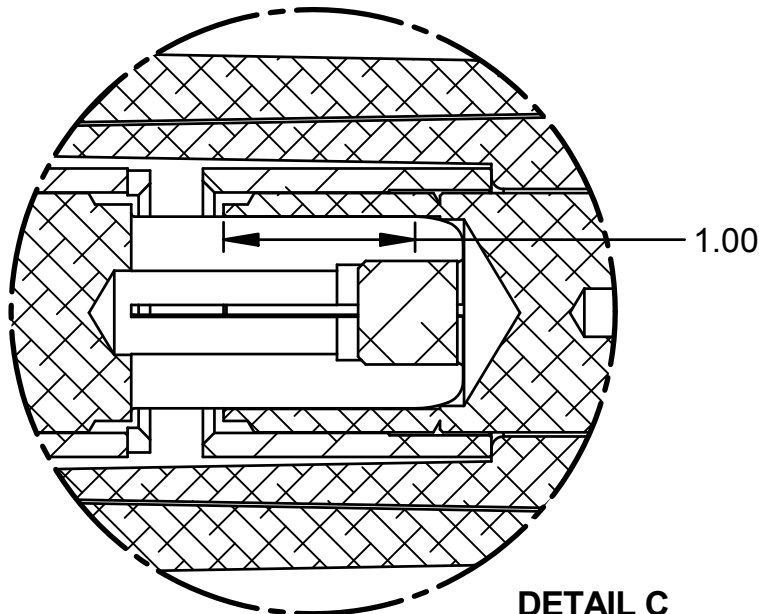
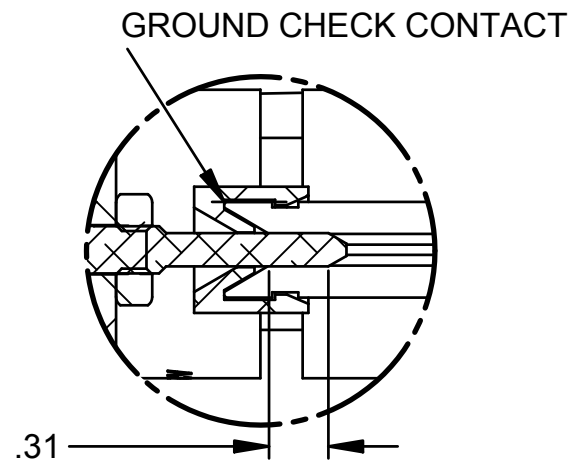


SECTION A-A



DETAIL C



DETAIL B

\*\*\*  
 THE PHASE CONTACTS WILL  
 HAVE OVER 5/8" OF ENGAGEMENT  
 WHEN THE GROUND CHECK  
 CONTACTS SEPARATE  
 \*\*\*

SCALE = 1:2  
 DIMENSIONS ARE IN INCHES

PLM  
 NOTICE TO PERSONS RECEIVING THIS DRAWING:  
 ADALET-PLM CLAIMS PROPRIETARY RIGHTS IN THE MATERIAL  
 DISCLOSED HEREON. THIS DRAWING IS ISSUED IN CONFIDENCE  
 FOR ENGINEERING INFORMATION ONLY AND MAY NOT BE REPRODUCED  
 OR USED TO MANUFACTURE ANYTHING SHOWN HEREON WITHOUT  
 DIRECT WRITTEN PERMISSION FROM ADALET-PLM TO THE USER.

**ADALET**  
 A SCOTT FETZER COMPANY  
 Enclosure Systems • Cable Accessories  
 Cleveland, OH 44135

TITLE  
**MALE & FEMALE  
 415 COUPLER INSULATOR  
 ASSEMBLY WITH CONTACTS**