

SPECIAL OPERATORS

Reset Button Operators

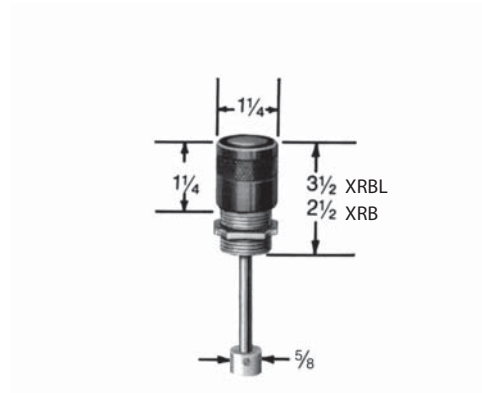
Class I, Groups B, C & D
Class II, Groups E, F & G
NEMA 3, 4, 7 & 9

STANDARD FEATURES

- Used for resetting contactors, relays, etc. in explosionproof and weather-proof enclosures. Made with $\frac{3}{4}$ " NPSM threaded stem.
- Standard operating shaft length 6" can be cut to length. Special lengths are also available. Use XRBL for wall thickness greater than $\frac{3}{4}$ ".

RESET BUTTON

Catalog #	Operator Description	Weight (lbs.)
XRBL	Reset Button - Long	$\frac{1}{2}$
XR	Reset Button - Short	$\frac{1}{2}$



XRBL / XR