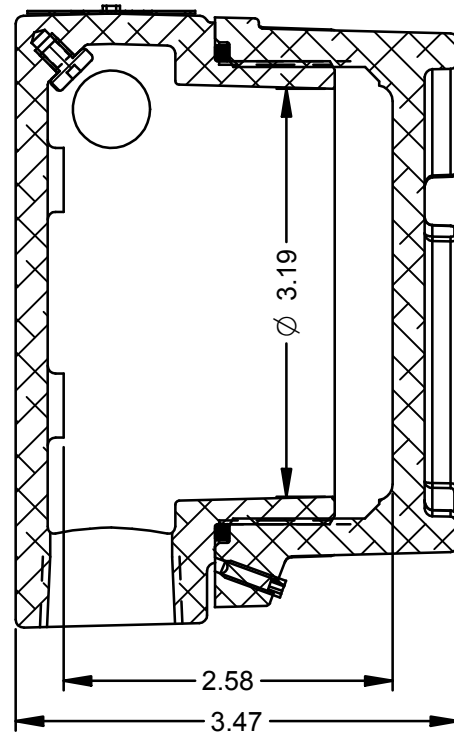
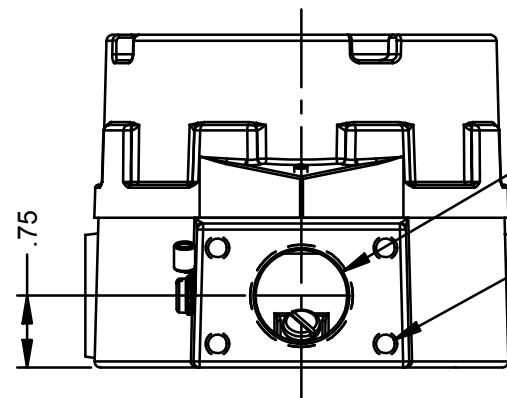
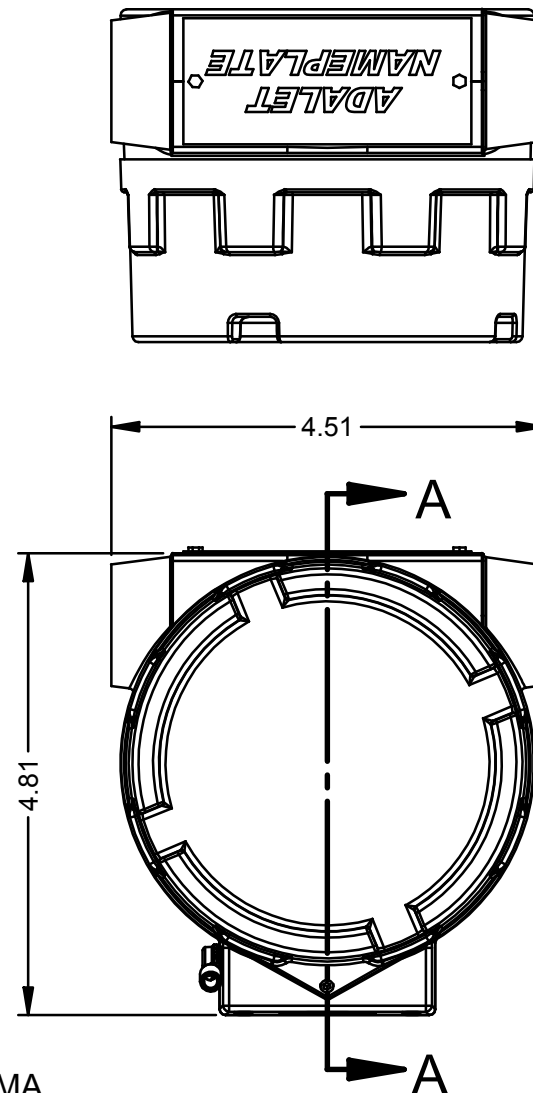


XIHFCX 2

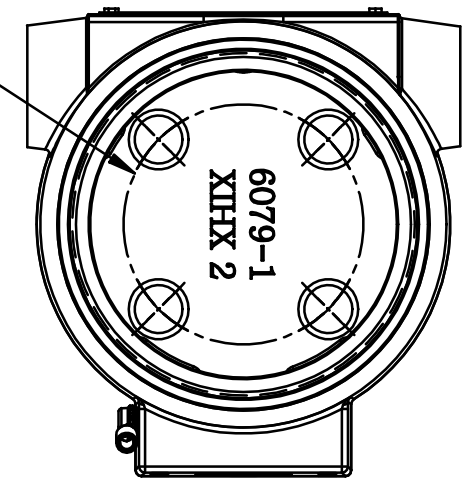
REV	REVISION	BY	ECN	DATE



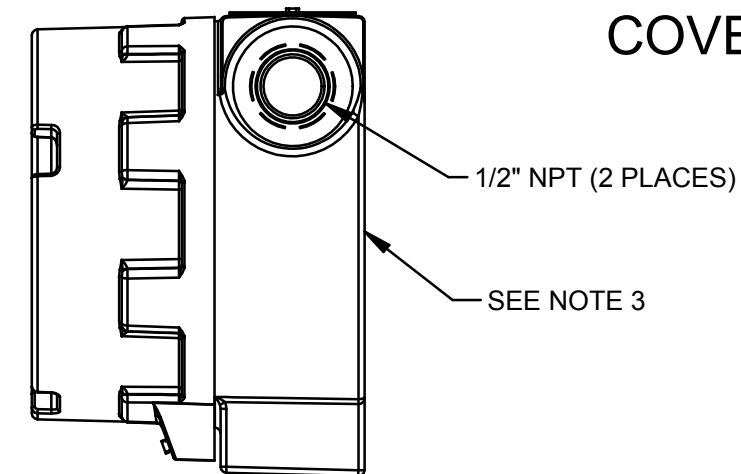
SECTION A-A  
1:1.5



FOUR (4) INTERIOR MOUNTING BOSSSES  
(CAN ACCOMMODATE BLIND TAPPED  
HOLES ON A Ø2-1/2" BOLT CIRCLE)



COVER REMOVED



NOTES:

- STANDARD APPROVALS: UL/cUL CLASS I, DIVISION 1, GROUP B; NEMA TYPES 4X/7/9. ATEX APPROVAL OPTIONAL - - CONSULT FACTORY
- STANDARD FINISH: SAFETY BLUE POLYESTER POWDERCOAT. OTHER COLORS AVAILABLE.
- OPTIONAL BACKWALL ENTRY AVAILABLE. (SEE "ENTRY OPTIONS" LIST FOR SIZES) - - CONSULT FACTORY
- OPTIONAL FRONT BOSS ENTRY AVAILABLE. (SEE "ENTRY OPTIONS" LIST FOR SIZES)
- FOUR (4) OPTIONAL 1/4-20 HOLES IN FRONT BOSS FOR BRACKET MOUNTING - - CONSULT FACTORY
- CONSULT FACTORY FOR ADDITIONAL CUSTOM MACHINING

ENTRY OPTIONS:

- 1/2" NPT
- 1/2" NPSM
- 3/4" NPT
- 3/4" NPSM
- 20mm x 1.5
- 25mm x 1.5

DIMENSIONS SHOWN ARE FOR REFERENCE ONLY, NOT FOR MANUFACTURING. CONTACT ADALET ENGINEERING FOR TIGHT FITS OR TOLERANCE ISSUES!

**DO NOT REVISE THIS DWG. IN AUTOCAD  
3D GENERATED IN SOLID EDGE**

DO NOT SCALE DRAWING UNLESS OTHERWISE SPECIFIED DIMENSIONS ARE IN INCHES. CAST TOLERANCES ON DIMENSIONS NOT OTHERWISE SPECIFIED: ✓ = 1/8" STOCK MIN FILLET OR CORNER RADII 1/8" DRAFT 1 1/2° FRAC ±1/16" ANGLES ± 1°	MACHINE TOLERANCES ON DIMEN- SIONS NOT OTHERWISE SPECIFIED: ✓ 125 .XX ± .03"                      .XXX ± .010" FILLET RADII .03" EDGE BREAK .005"-.015" R. or 45° ANGLES ± 0°-30° GAGING FOR THREADED HOLES NOT OTHERWISE SPECIFIED: NPT E-21-2.6 NPSM E-24-1.0	<b>ADALET</b> A SCOTT FETZER COMPANY Enclosure Systems • Cable Accessories Cleveland, OH 44135		TITLE <b>XIHFCX 2                  OUTLINE DRAWING</b>		DRAWN BY MCP	DATE 01/07/09	
		NOTICE TO PERSONS RECEIVING THIS DRAWING: ADALET CLAIMS PROPRIETARY RIGHTS IN THE MATERIAL DISCLOSED HEREON. THIS DRAWING IS ISSUED IN CONFIDENCE FOR ENGINEERING INFORMATION ONLY AND MAY NOT BE REPRODUCED OR USED TO MANUFACTURE ANYTHING SHOWN HEREON WITHOUT DIRECT WRITTEN PERMISSION FROM ADALET TO THE USER.		MATERIAL E-STD-E4	FINISH TUMBLAST	ENG APPROVAL	PLOT SCALE 1=2	MFG APPROVAL
				CAT NO		DWG NO <b>XIHFCX 2</b>	SHT 10F1	REV A