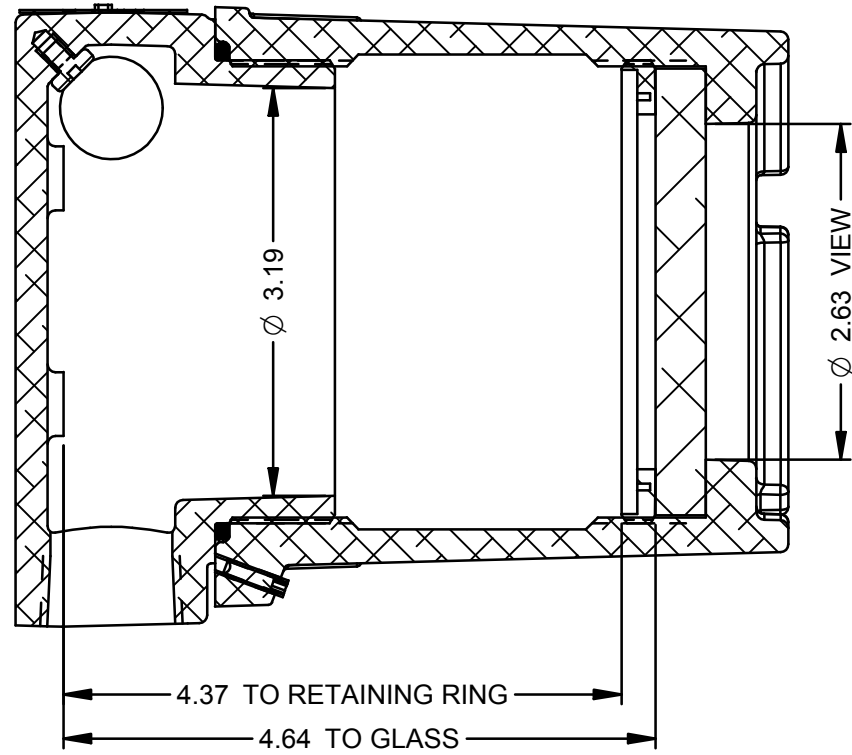
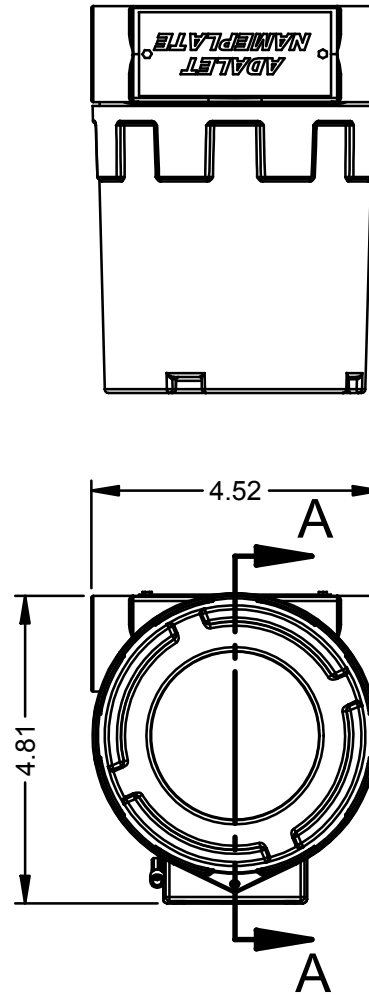


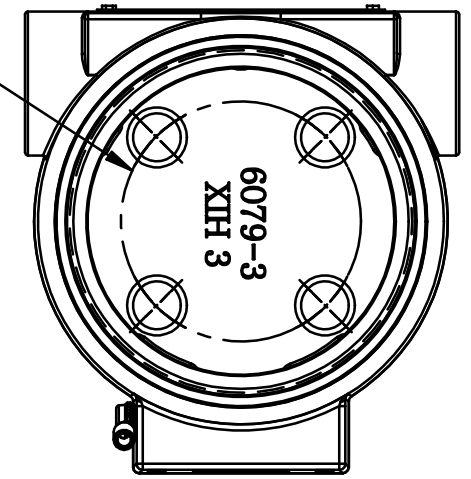
REV	REVISION	BY	ECN	DATE



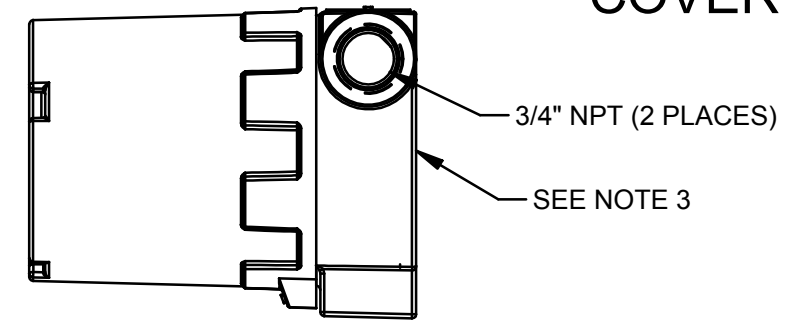
**SECTION A-A**  
1:1.5



FOUR (4) INTERIOR MOUNTING BOSSES  
(CAN ACCOMMODATE BLIND TAPPED  
HOLES ON A Ø2-1/2" BOLT CIRCLE)

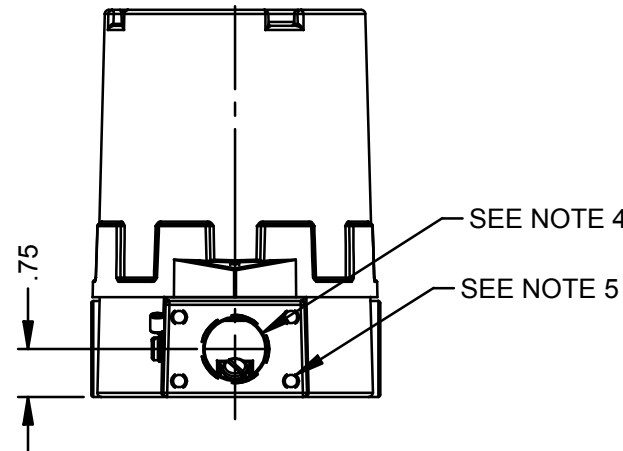


**COVER REMOVED**  
1:2



**NOTES:**

- STANDARD APPROVALS: UL/cUL CLASS I, DIVISION 1, GROUP B; NEMA TYPES 4X/7/9. ATEX APPROVAL OPTIONAL - - CONSULT FACTORY
- STANDARD FINISH: SAFETY BLUE POLYESTER POWDERCOAT. OTHER COLORS AVAILABLE.
- OPTIONAL BACKWALL ENTRY AVAILABLE. (SEE "ENTRY OPTIONS" LIST FOR SIZES) - - CONSULT FACTORY
- OPTIONAL FRONT BOSS ENTRY AVAILABLE. (SEE "ENTRY OPTIONS" LIST FOR SIZES)
- FOUR (4) OPTIONAL 1/4-20 HOLES IN FRONT BOSS FOR BRACKET MOUNTING - - CONSULT FACTORY
- CONSULT FACTORY FOR ADDITIONAL CUSTOM MACHINING



**DIMENSIONS SHOWN ARE FOR REFERENCE ONLY, NOT FOR MANUFACTURING. CONTACT ADALET ENGINEERING FOR TIGHT FITS OR TOLERANCE ISSUES!**

**DO NOT REVISE THIS DWG. IN AUTOCAD 3D GENERATED IN SOLID EDGE**

**ENTRY OPTIONS:**

- 1/2" NPT
- 1/2" NPSM
- 3/4" NPT
- 3/4" NPSM
- 20mm x 1.5
- 25mm x 1.5

DO NOT SCALE DRAWING UNLESS OTHERWISE SPECIFIED DIMENSIONS ARE IN INCHES. CAST TOLERANCES ON DIMENSIONS NOT OTHERWISE SPECIFIED: ✓ = 1/8" STOCK MIN FILLET OR CORNER RADII 1/8" DRAFT 1 1/2° FRAC ±1/16" ANGLES ± 1°	MACHINE TOLERANCES ON DIMEN- SIONS NOT OTHERWISE SPECIFIED: ✓ 125 .XX ± .03"                      .XXX ± .010" FILLET RADII .03" EDGE BREAK .005"-.015" R. or 45° ANGLES ± 0°-30° GAGING FOR THREADED HOLES NOT OTHERWISE SPECIFIED: NPT E-21-2.6 NPSM E-24-1.0			TITLE		DRAWN BY		DATE	
				XIHDGCX 3 OUTLINE DRAWING		MCP		01/07/09	
				MATERIAL		ENG APPROVAL		PLOT SCALE	
				E-STD-E4				1=3	
				FINISH		MFG APPROVAL		DWG SIZE	
				TUMBLAST				B	
				CAT NO		DWG NO		SHT	
						XIHDGCX 3		10F1	
								REV	
								A	

NOTICE TO PERSONS RECEIVING THIS DRAWING:  
 ADALET CLAIMS PROPRIETARY RIGHTS IN THE MATERIAL  
 DISCLOSED HEREON. THIS DRAWING IS ISSUED IN CONFIDENCE  
 FOR ENGINEERING INFORMATION ONLY AND MAY NOT BE REPRODUCED  
 OR USED TO MANUFACTURE ANYTHING SHOWN HEREON WITHOUT  
 DIRECT WRITTEN PERMISSION FROM ADALET TO THE USER.