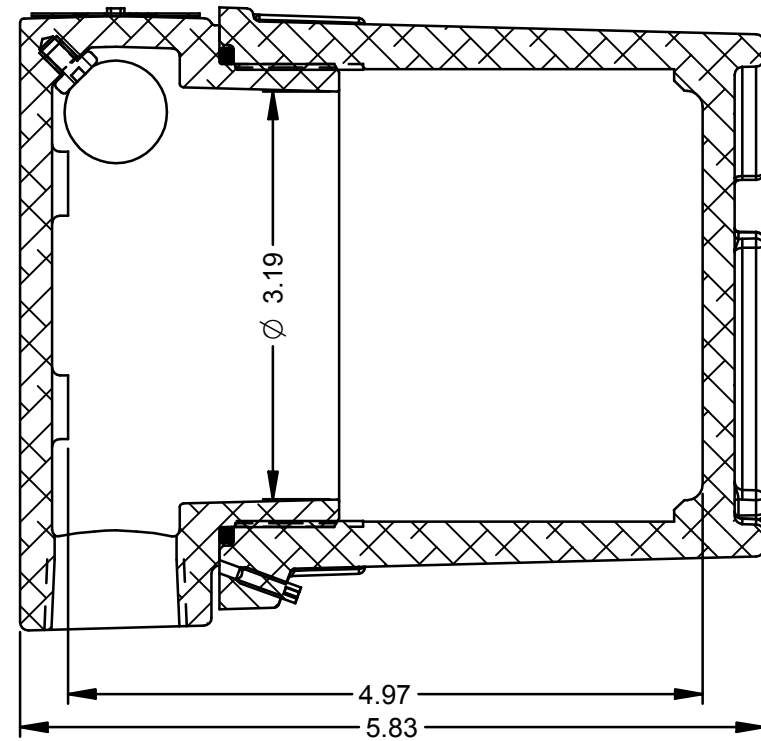
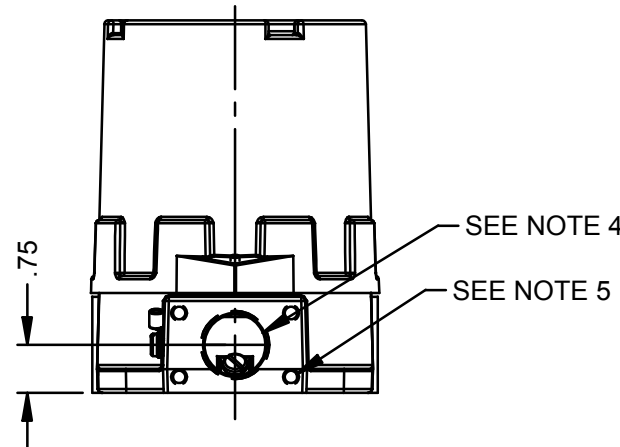
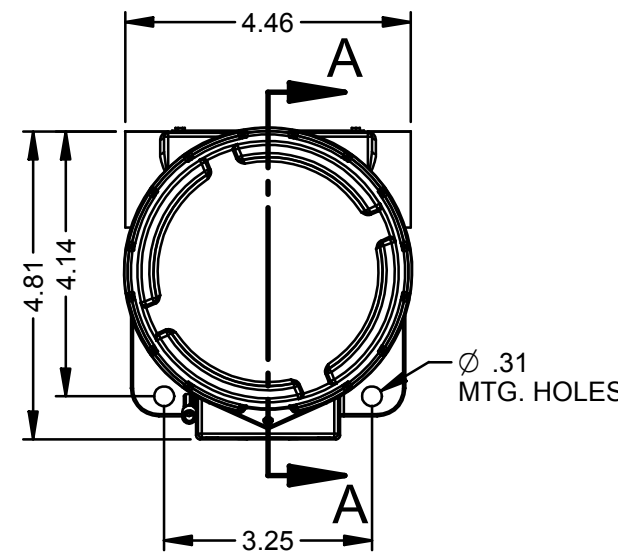
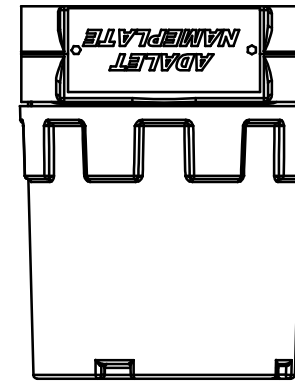


XIHDCX 3L

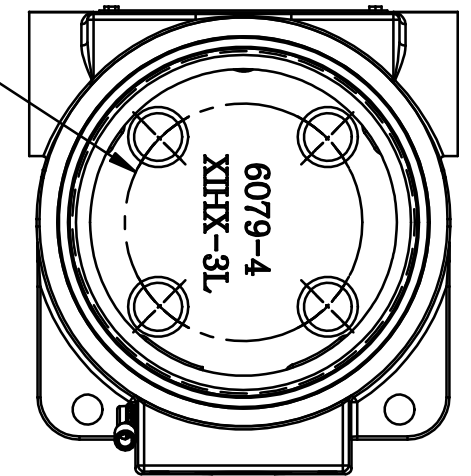
| REV | REVISION | BY | ECN | DATE |
|-----|----------|----|-----|------|
| | | | | |



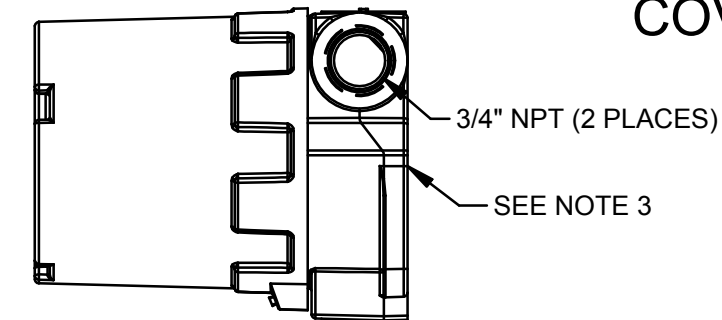
SECTION A-A
1:1.5



FOUR (4) INTERIOR MOUNTING BOSSES
(CAN ACCOMMODATE BLIND TAPPED
HOLES ON A Ø2-1/2" BOLT CIRCLE)



COVER REMOVED
1:2



NOTES:

- STANDARD APPROVALS: UL/cUL CLASS I, DIVISION 1, GROUP B; NEMA TYPES 4X/7/9. ATEX APPROVAL OPTIONAL - - CONSULT FACTORY
- STANDARD FINISH: SAFETY BLUE POLYESTER POWDERCOAT. OTHER COLORS AVAILABLE.
- OPTIONAL BACKWALL ENTRY AVAILABLE. (SEE "ENTRY OPTIONS" LIST FOR SIZES) - - CONSULT FACTORY
- OPTIONAL FRONT BOSS ENTRY AVAILABLE. (SEE "ENTRY OPTIONS" LIST FOR SIZES)
- FOUR (4) OPTIONAL 1/4-20 HOLES IN FRONT BOSS FOR BRACKET MOUNTING - - CONSULT FACTORY
- CONSULT FACTORY FOR ADDITIONAL CUSTOM MACHINING

DIMENSIONS SHOWN ARE FOR REFERENCE ONLY, NOT FOR MANUFACTURING. CONTACT ADALET ENGINEERING FOR TIGHT FITS OR TOLERANCE ISSUES!

**DO NOT REVISE THIS DWG. IN AUTOCAD
3D GENERATED IN SOLID EDGE**

ENTRY OPTIONS:

- 1/2" NPT
- 1/2" NPSM
- 3/4" NPT
- 3/4" NPSM
- 20mm x 1.5
- 25mm x 1.5

| | |
|---|---|
| DO NOT SCALE DRAWING UNLESS OTHERWISE SPECIFIED DIMENSIONS ARE IN INCHES. | MACHINE TOLERANCES ON DIMENSIONS NOT OTHERWISE SPECIFIED: √ 125 .XX ± .03" .XXX ± .010" CAST TOLERANCES ON DIMENSIONS NOT OTHERWISE SPECIFIED: √ = 1/8" STOCK MIN FILLET OR CORNER RADII 1/8" |
| DRAFT 1 1/2° FRAC ± 1/16" ANGLES ± 1° | GAGING FOR THREADED HOLES NOT OTHERWISE SPECIFIED: NPT E-21-2.6 NPSM E-24-1.0 |

ADALET

A SCOTT FETZER COMPANY
Enclosure Systems • Cable Accessories
Cleveland, OH 44135

NOTICE TO PERSONS RECEIVING THIS DRAWING:
ADALET CLAIMS PROPRIETARY RIGHTS IN THE MATERIAL DISCLOSED HEREON. THIS DRAWING IS ISSUED IN CONFIDENCE FOR ENGINEERING INFORMATION ONLY AND MAY NOT BE REPRODUCED OR USED TO MANUFACTURE ANYTHING SHOWN HEREON WITHOUT DIRECT WRITTEN PERMISSION FROM ADALET TO THE USER.

| | | | |
|---|----------------------------|-----------------|-------------------|
| TITLE XIHDCX 3L OUTLINE DRAWING | | DRAWN BY MCP | DATE 01/07/09 |
| MATERIAL E-STD-E4 | | ENG APPROVAL | PLOT SCALE 1=3 |
| FINISH TUMBLAST | | MFG APPROVAL | DWG SIZE B |
| CAT NO | DWG NO XIHDCX 3L | SHT 10F1 | REV A |