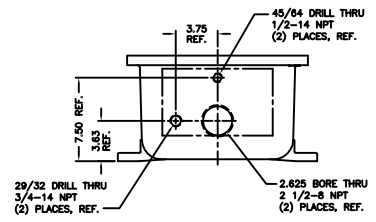
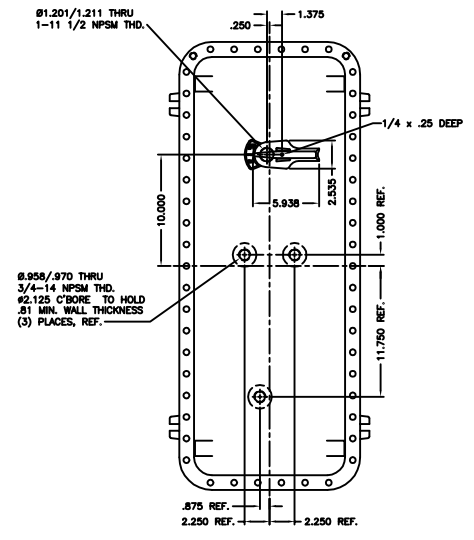
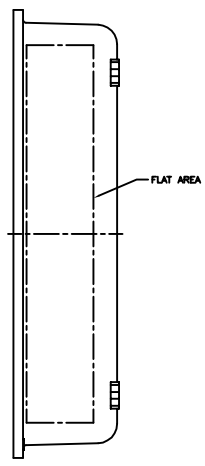
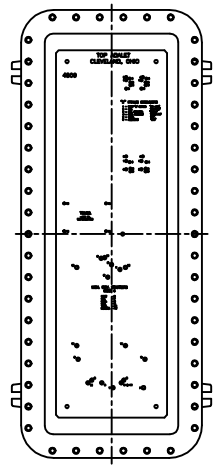
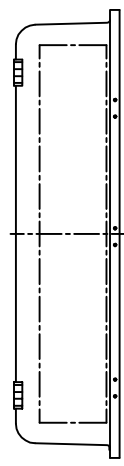
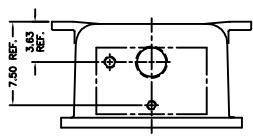


XXXXXXXXXX

NO SCALE

UNCONTROLLED DRAWING

(DATA SUBJECT TO CHANGE WITHOUT NOTICE)
FOR ADDITIONAL HELP CONTACT ENGINEERING@ADALET.COM



<p>ADALET Engineering & Manufacturing Solutions Cincinnati, OH</p>	<p>MODIFIED XCRSMA H4 ENCLOSURE FOR</p>
<p>SEE NOTES</p>	<p>SLD 11-17-98</p>
<p>TUNBLAST</p>	<p>1=4.5</p>
<p>XCRSMA H4</p>	<p>XXXXXXXXXX 10F1</p>