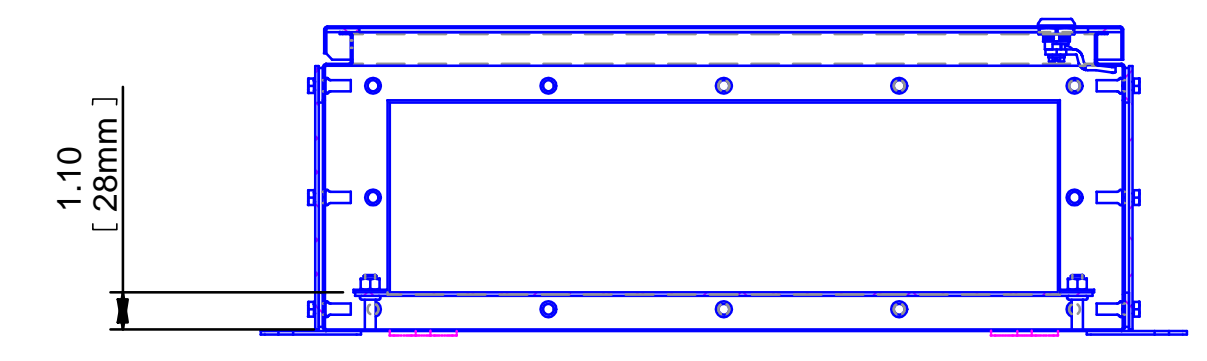
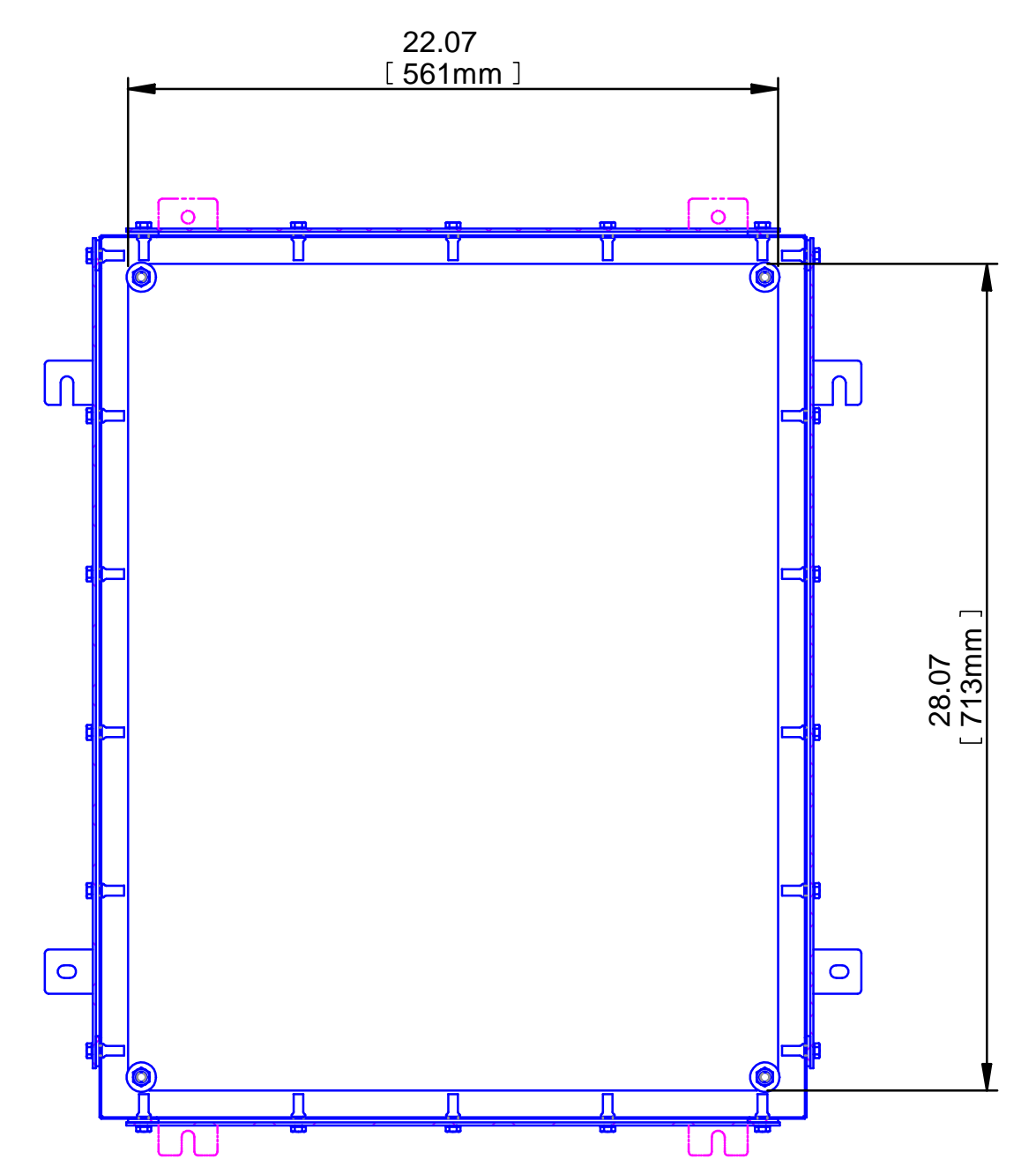
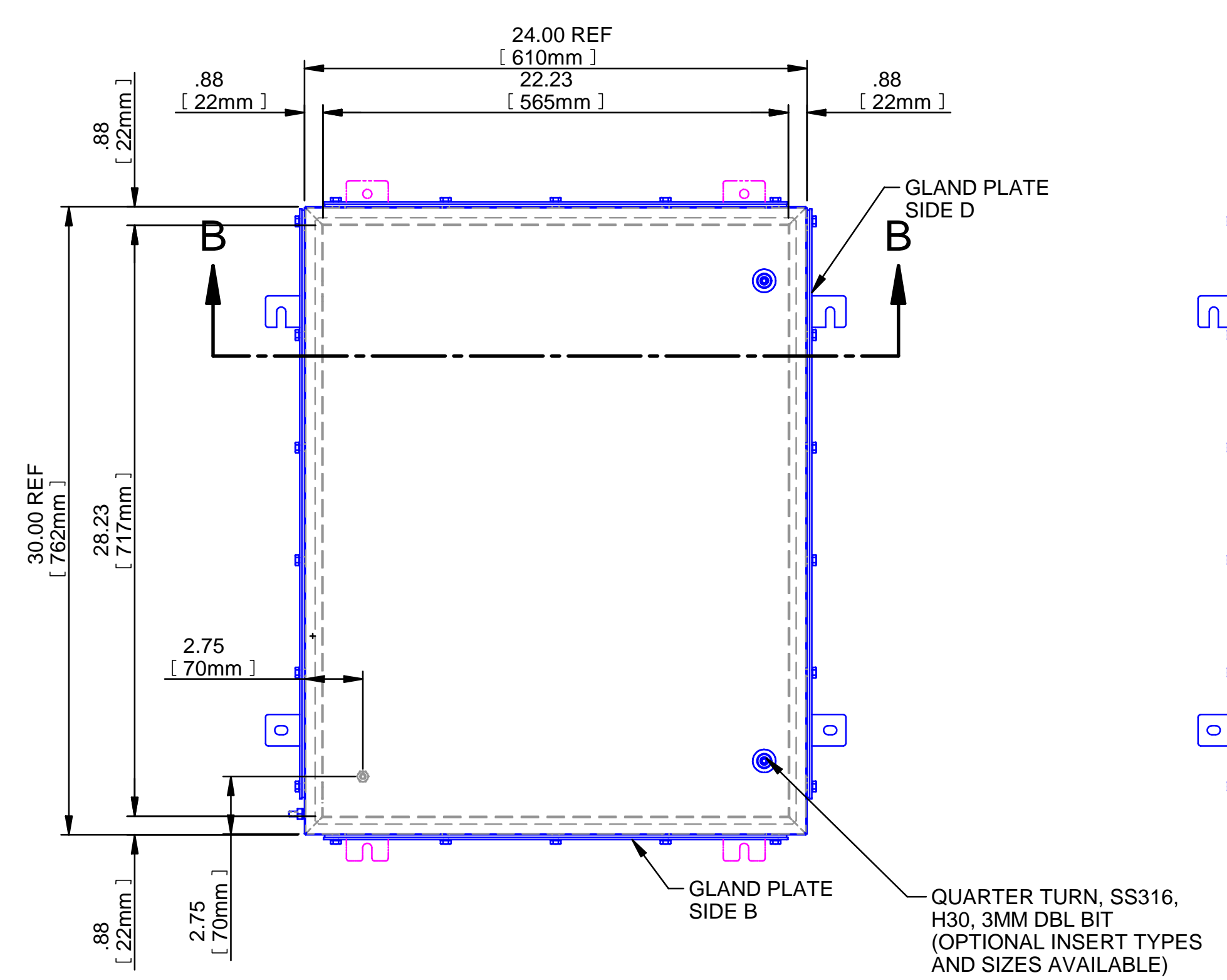
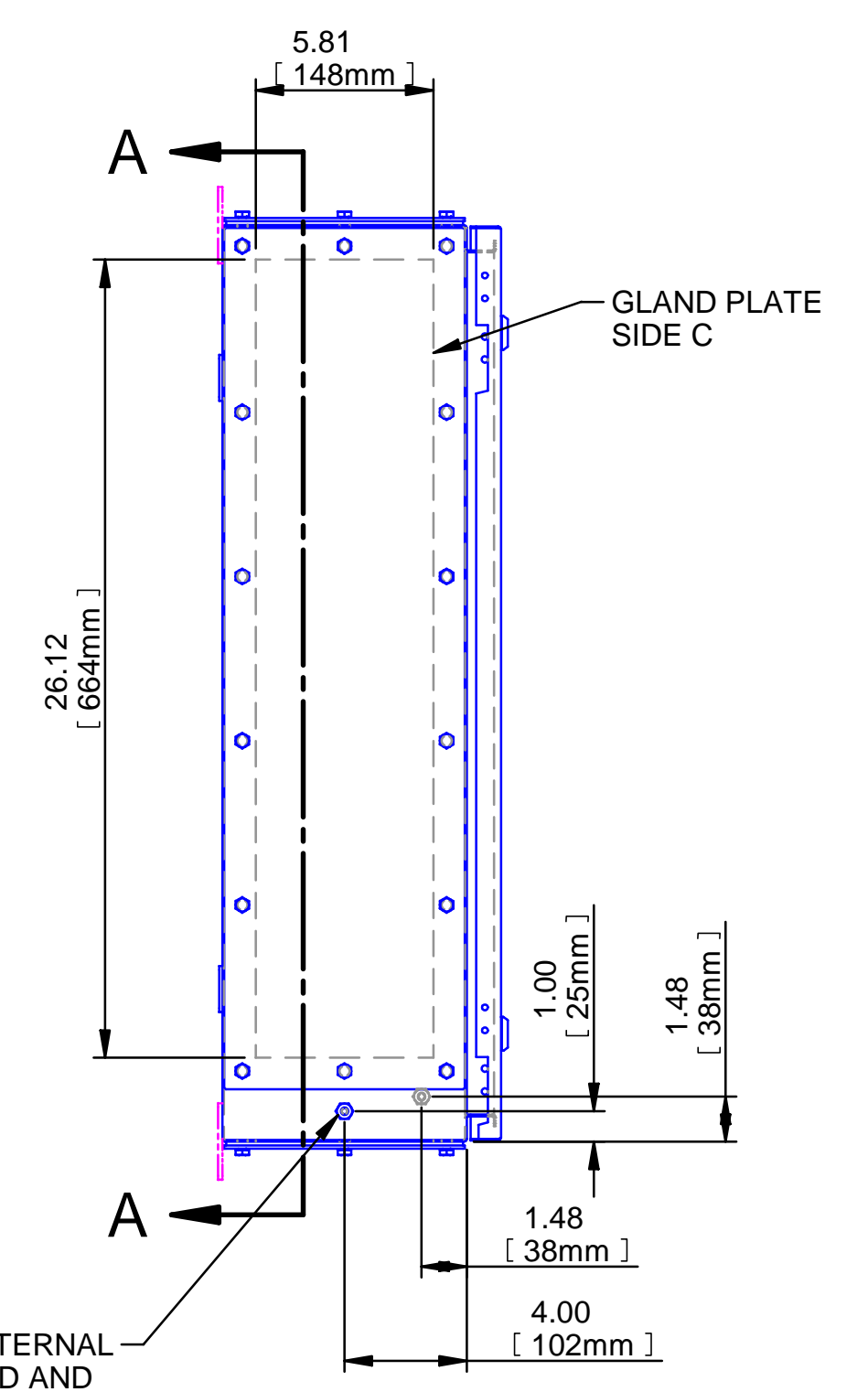
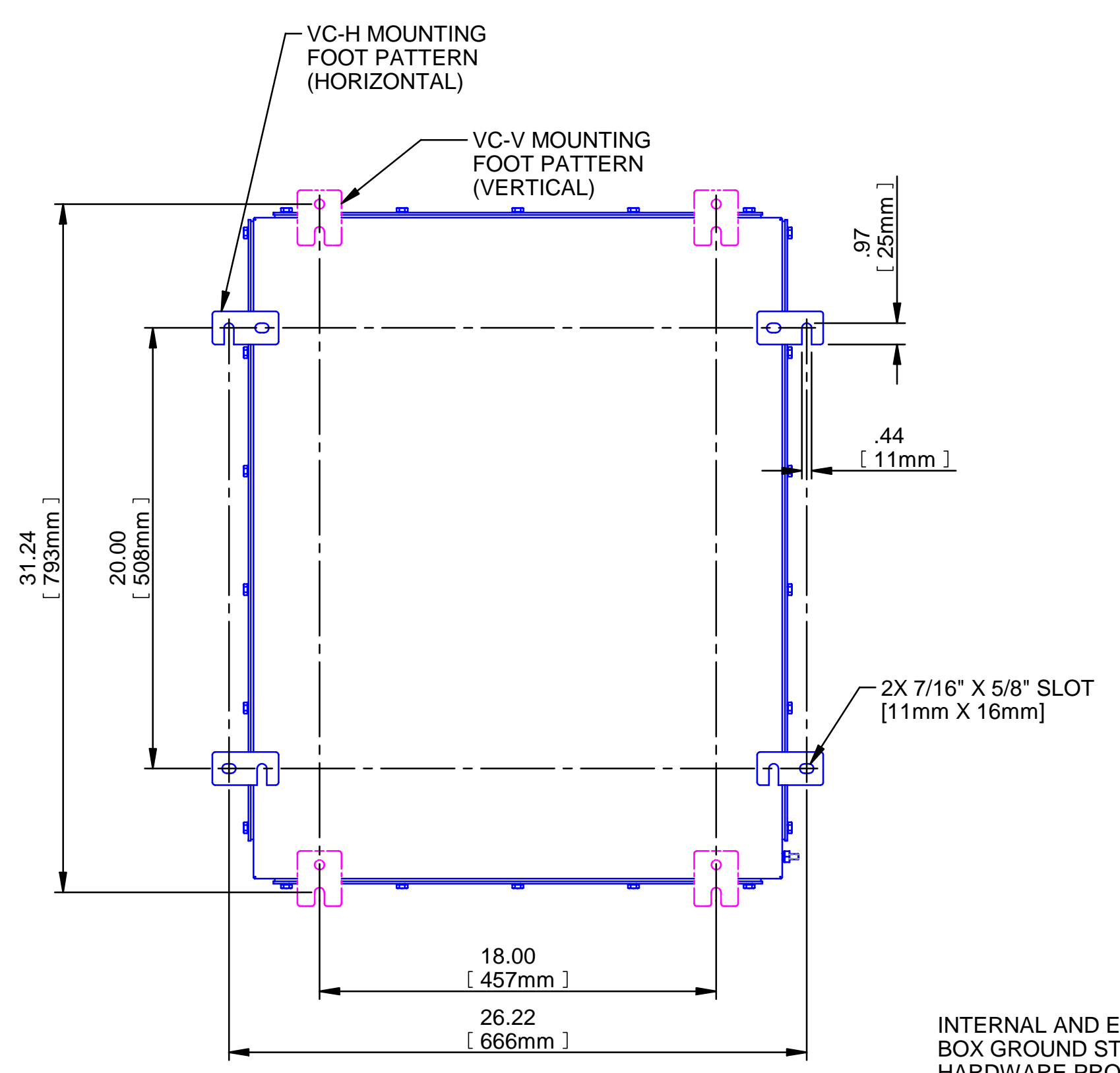
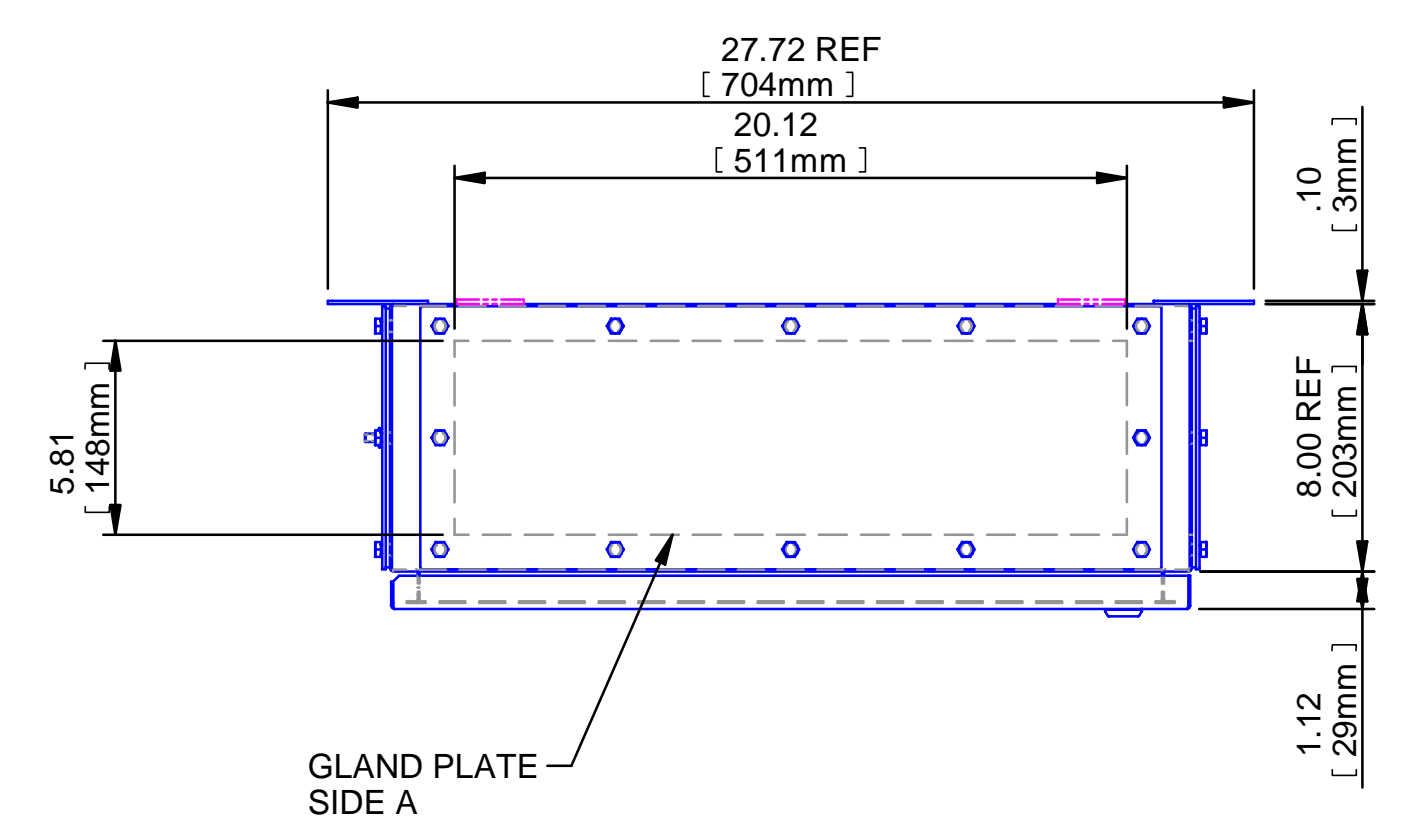
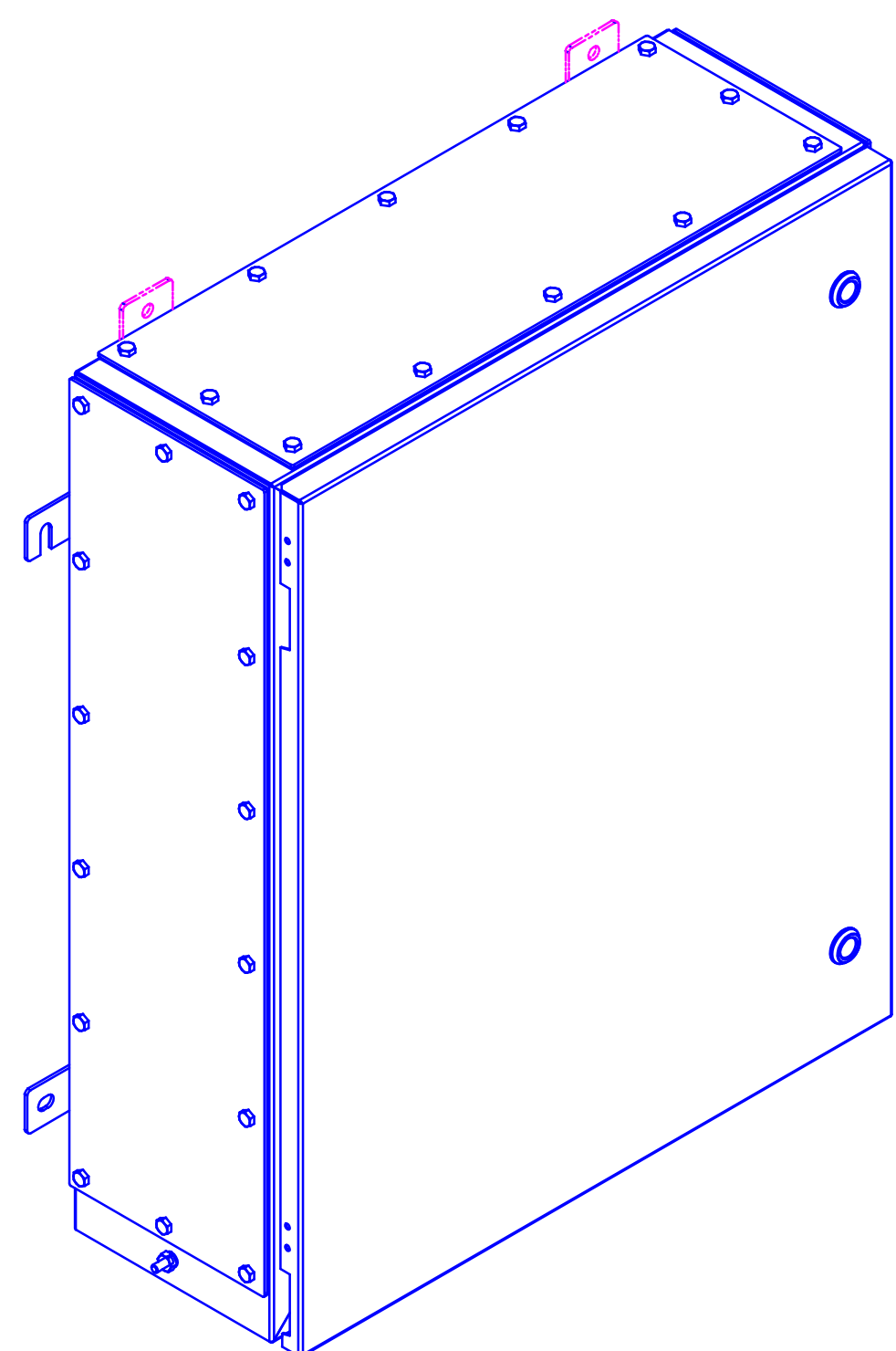


REV	REVISION	BY	ECN	DATE



SECTION A-A

UNCONTROLLED DRAWING
(DATA SUBJECT TO CHANGE WITHOUT NOTICE)

DO NOT REVISE THIS DWG. IN AUTOCAD 3D GENERATED IN SOLID EDGE

<small>DO NOT SCALE DRAWING UNLESS OTHERWISE SPECIFIED DIMENSIONS ARE IN INCHES CAST TOLERANCES ON DIMENSIONS NOT OTHERWISE SPECIFIED: 1/8" STOCK DRAFT 1:12 FILLET OR CORNER RADI 1/8" FRAC ±.010" ANGLES ± 1° MACHINE TOLERANCES ON DIMENSIONS NOT OTHERWISE SPECIFIED: √ = .125 MIN X ± .015 X ± .010" FILLET RADI .03" EDGE BREAK .035"-.015" R. or 45° ANGLES ± 0°30' TAGGING FOR THREADED HOLES NOT OTHERWISE SPECIFIED: MPT E-212.6 NPSM E-241.0</small>		<p>ADALET A SCOTT FETZER COMPANY Enclosure Systems • Cable Accessories Cleveland, OH 44135</p> <p><small>NOTICE TO PERSONS RECEIVING THIS DRAWING: ADALET/PLM CLAIMS PROPRIETARY RIGHTS IN THE MATERIAL DISCLOSED HEREIN. THIS DRAWING IS ISSUED IN CONFIDENCE FOR ENGINEERING INFORMATION ONLY AND MAY NOT BE REPRODUCED OR USED TO MANUFACTURE ANYTHING SHOWN HEREON, WITHOUT DIRECT WRITTEN PERMISSION FROM ADALET/PLM TO THE USER.</small></p>		<p>TITLE VC-302408 INCREASED SAFETY ENCLOSURE CUSTOMER OUTLINE DRAWING</p>	
<p>DRAWN BY DMS DATE 12/4/2008</p>		<p>ENG APPROVAL</p>		<p>PLOT SCALE</p>	
<p>MATERIAL</p>		<p>MFG APPROVAL</p>		<p>DWG SIZE D</p>	
<p>FINISH</p>		<p>DWG NO</p>		<p>SHT</p>	
<p>CAT NO</p>		<p>REV</p>		<p>REV</p>	