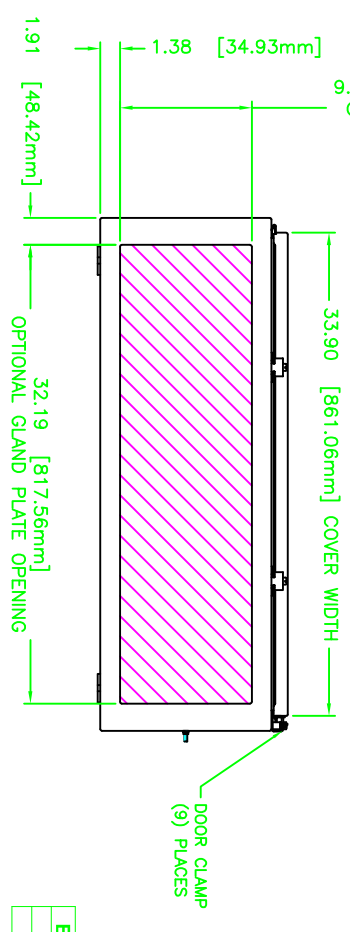
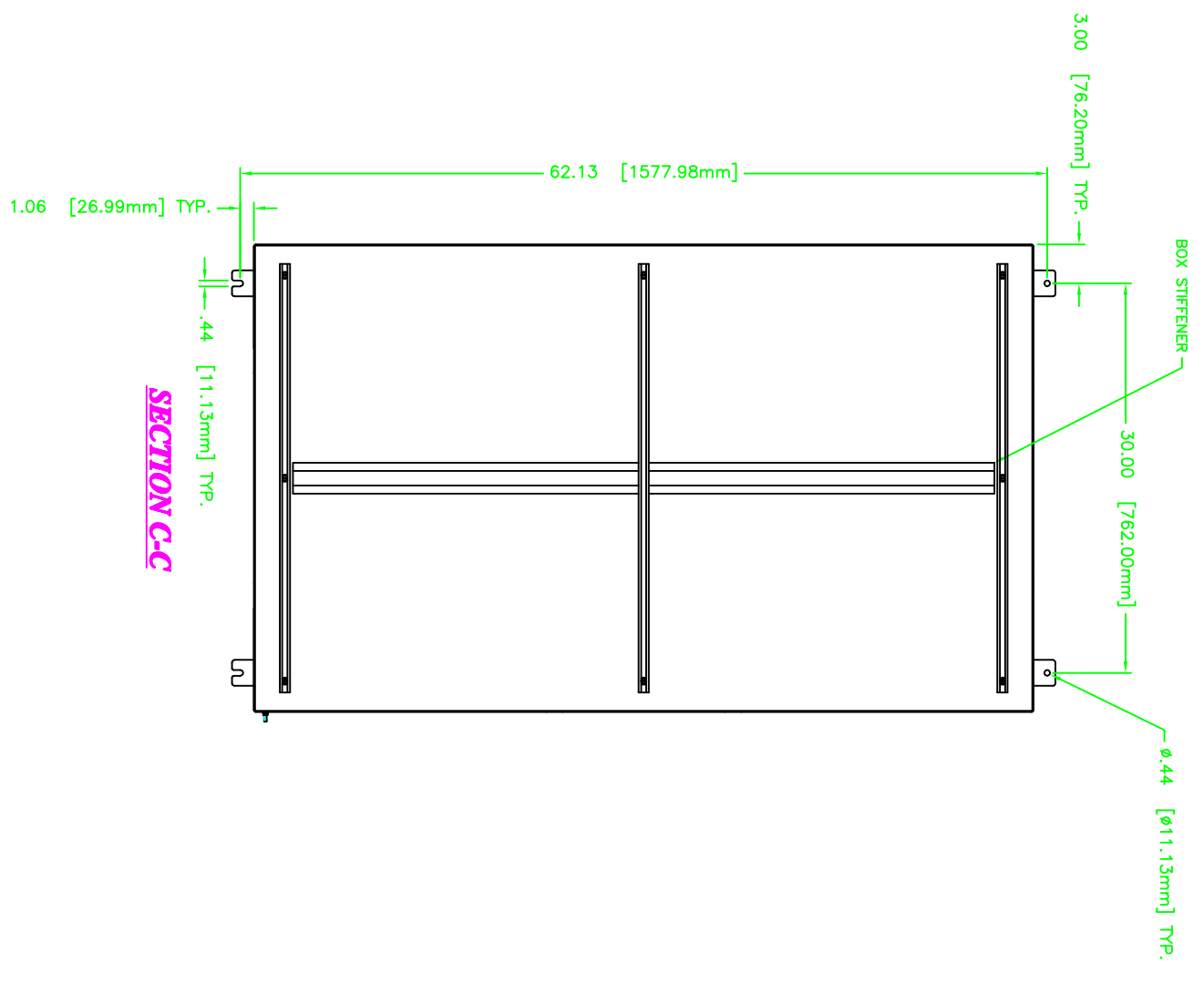
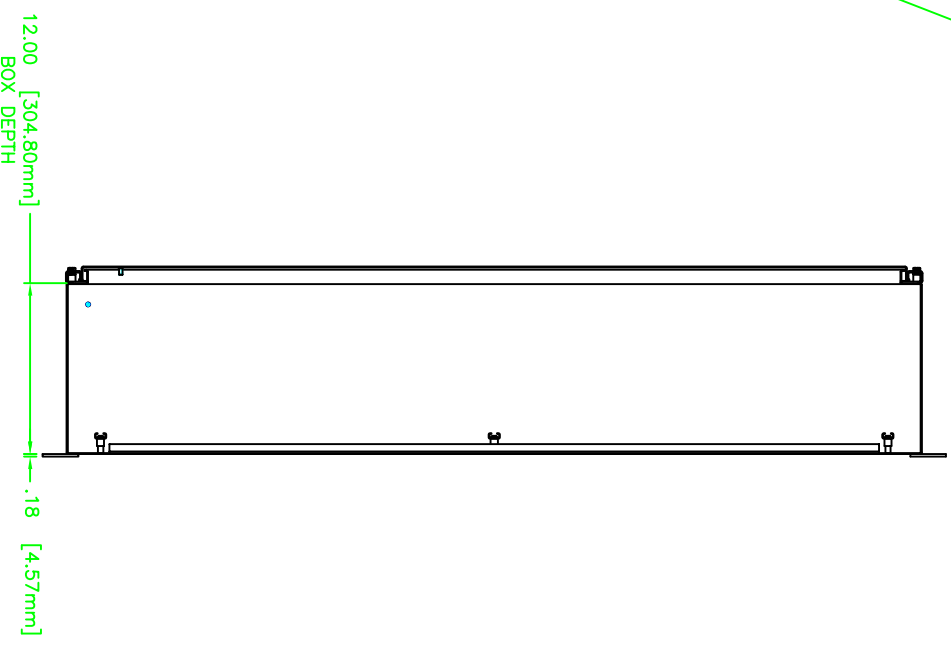
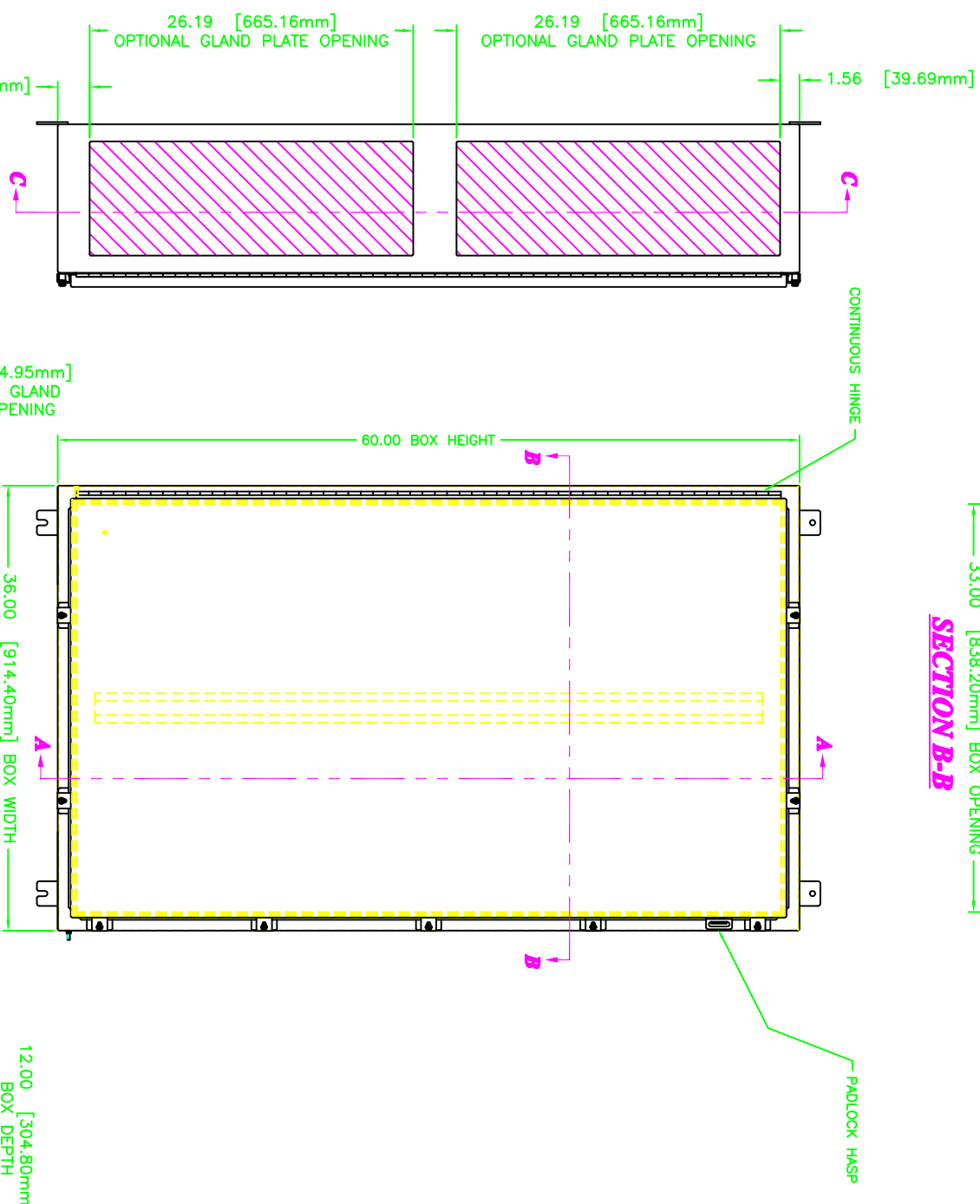
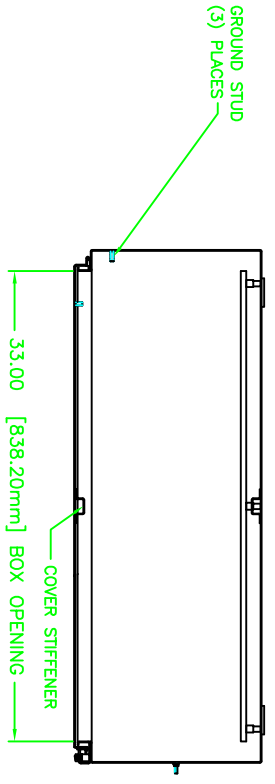


REV	REVISION	BY	ECN	DATE
A	INITIAL RELEASE	CLB		12/2/08

603612

UNCONTROLLED DRAWING

(DATA SUBJECT TO CHANGE WITHOUT NOTICE)
 FOR ADDITIONAL HELP CONTACT ENGINEERING@ADALETT.COM



ENCLOSURE MATERIAL	CATALOG NUMBER	PART NUMBER
SS316L	TN4XG-603612U	M11414
SS304	TN4X-603612U	M11141

ADDALETT ENGINEERING, INC. SCOTT FITZGER COMPANY Electronic Systems - Cable Accessories		TITLE TN4-603612 ENCLOSURE ASSEMBLY	
NO NOT SCALE DRAWING DIMENSIONS SHOWN UNLESS OTHERWISE SPECIFIED SIEMENS METAL TOLERANCES NOT OTHERWISE SPECIFIED: FRACTIONS: 1/16" XX & 3/16" DECIMALS: .001" XX & .010" ANGLES: 30°-90° HOLE END FINISHES: .0008" NOM. WELDING: 1/16" PER FOOT ALL FIELD SIZES ARE NOM.		INSTRUCTIONS: UNLESS OTHERWISE SPECIFIED, ALL DIMENSIONS ARE TO CENTER UNLESS OTHERWISE SPECIFIED. DIMENSIONS TO FACE UNLESS OTHERWISE SPECIFIED. DIMENSIONS TO CENTER UNLESS OTHERWISE SPECIFIED. DIMENSIONS TO FACE UNLESS OTHERWISE SPECIFIED. DIMENSIONS TO CENTER UNLESS OTHERWISE SPECIFIED.	
DATE	12/3/08	DATE	12/3/08
BY	CLB	BY	CLB
SCALE	1=7	SCALE	1=7
REV	D	REV	D
CAT NO	603612	CAT NO	603612
REV	10F1A	REV	10F1A