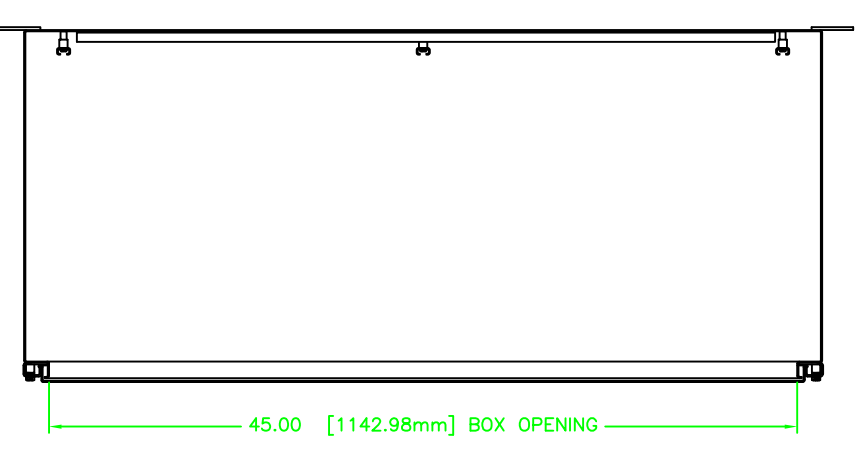
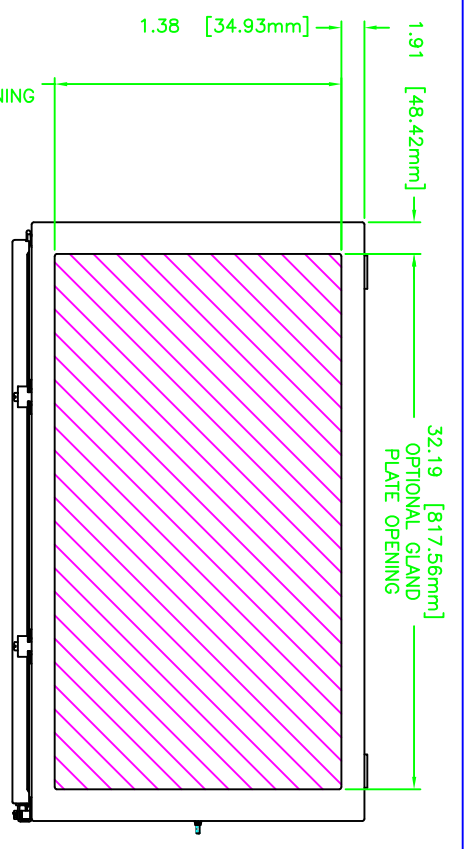


REV	REVISION	BY	ECN	DATE
A	INITIAL RELEASE	CLB	ECN	12/29/08

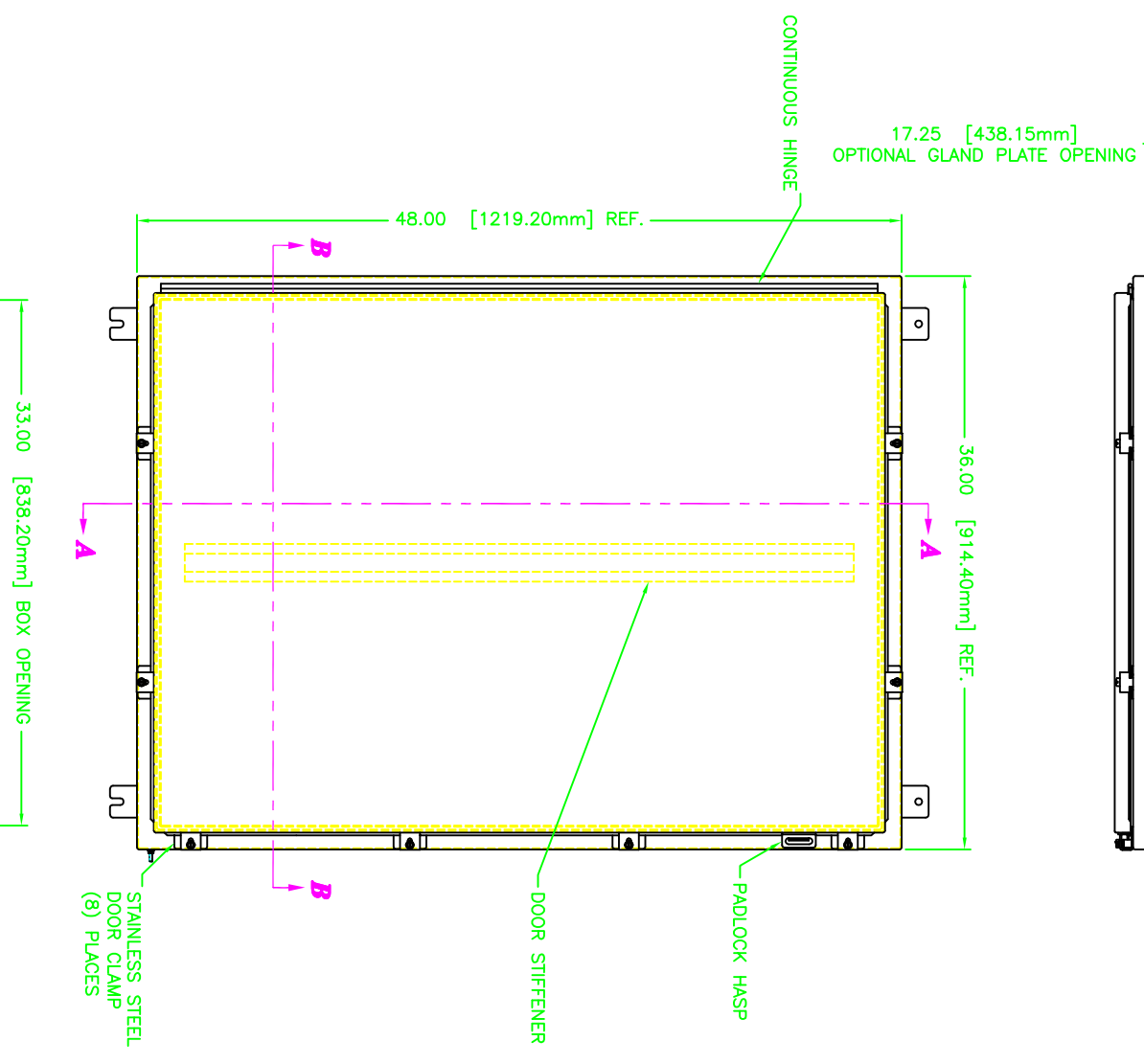
483620

UNCONTROLLED DRAWING

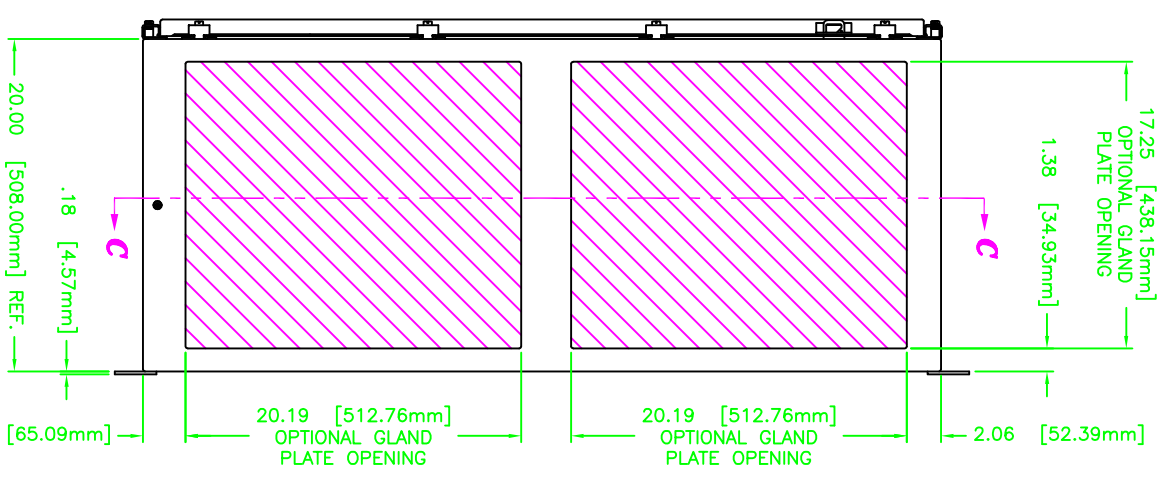
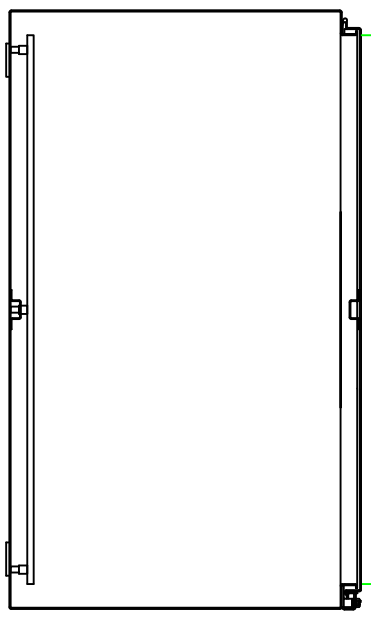
(DATA SUBJECT TO CHANGE WITHOUT NOTICE)
 FOR ADDITIONAL HELP CONTACT ENGINEERING@ADALETT.COM



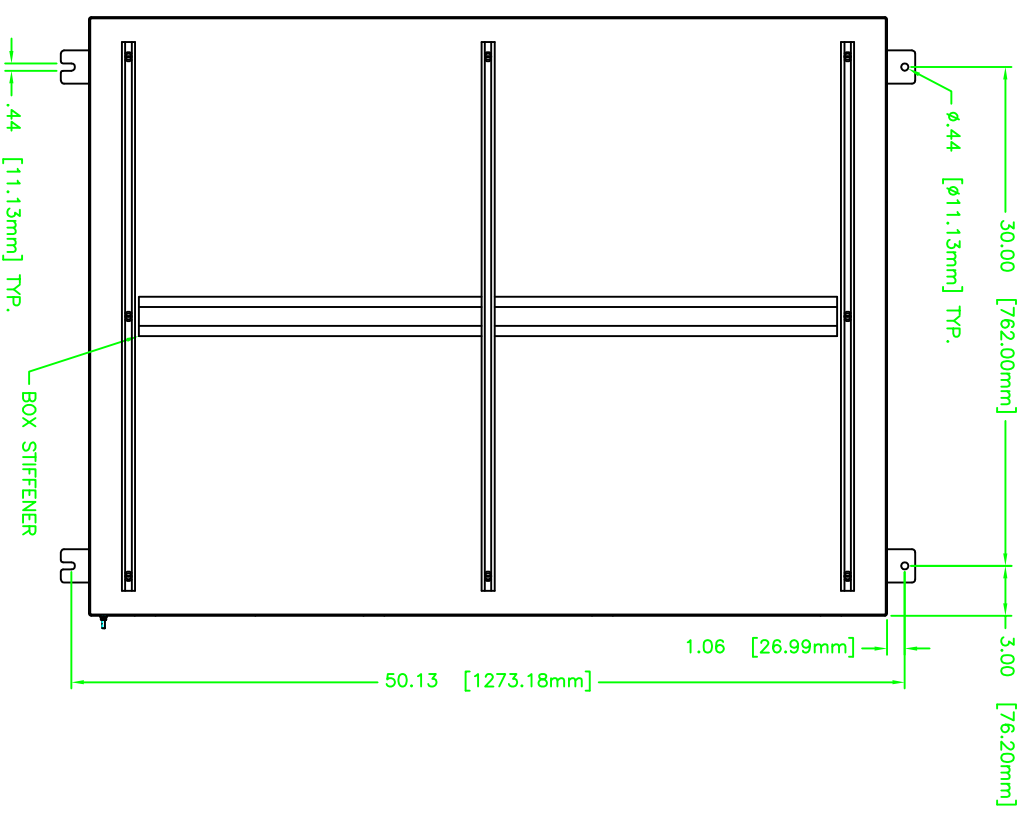
SECTION A-A



SECTION B-B



SECTION C-C



ENCLOSURE MATERIAL	CATALOG NUMBER	PART NUMBER
SS316L	TN4XG-483620U	M11424
SS304	TN4X-483620U	M11451

ADDALETT
 SCOTT TETZER COMPANY
 Industrial Systems - Cable Accessories

UNLESS OTHERWISE SPECIFIED:
 DIMENSIONS ARE IN INCHES
 TOLERANCES UNLESS OTHERWISE SPECIFIED:
 FRACTIONS: 1/16"
 DECIMALS: .005"
 ANGLES: 30°-90°
 HOLE DRILLING: 1/16" PER FOOT
 ALL FIELD SIZES ARE MIN.

ADDALETT
 ENGINEERING BY: [Signature]
 DATE: 12/3/08
 CHECKED BY: [Signature]
 DATE: 12/3/08
 DRAWN BY: [Signature]
 DATE: 12/3/08
 SCALE: 1=6
 SHEET: 1 OF 1
 PART NUMBER: M11424

483620 10F1 A