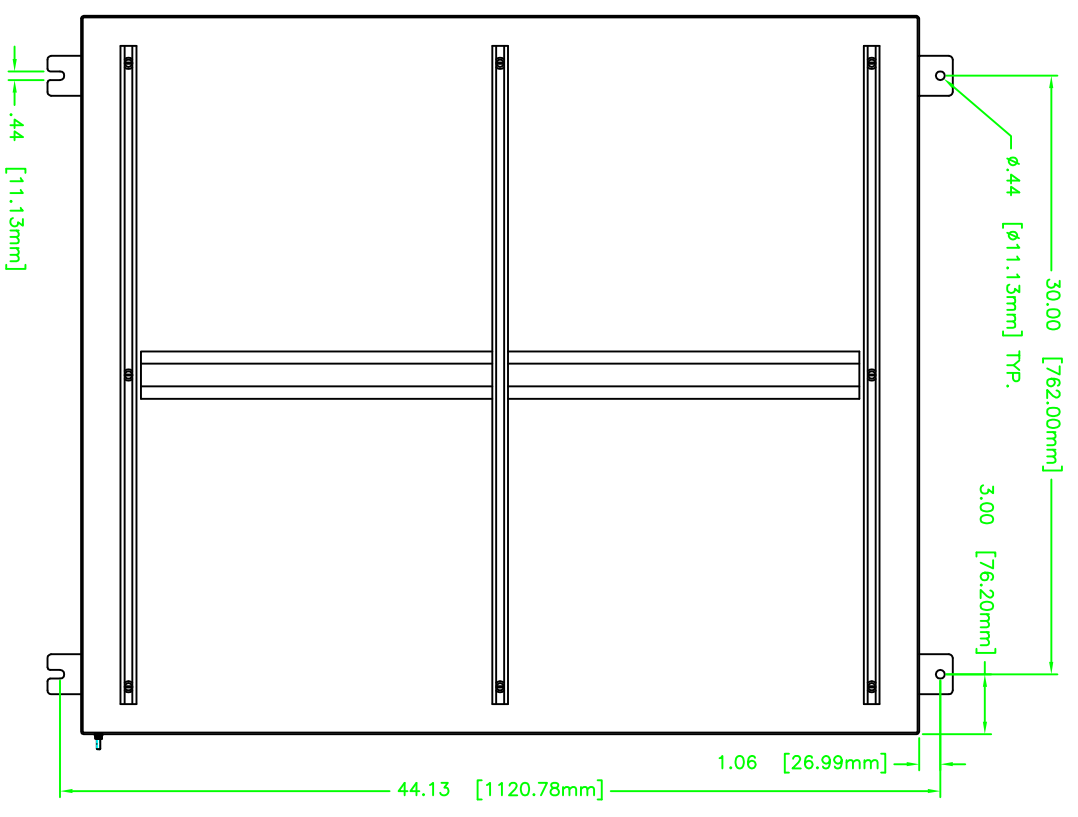
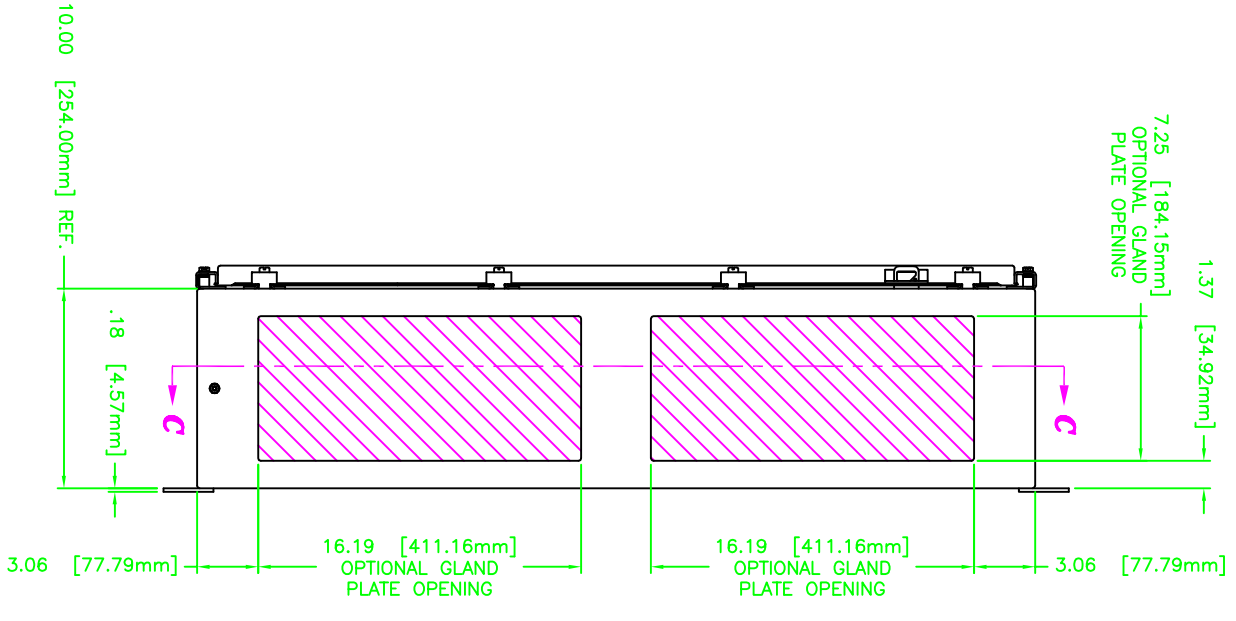
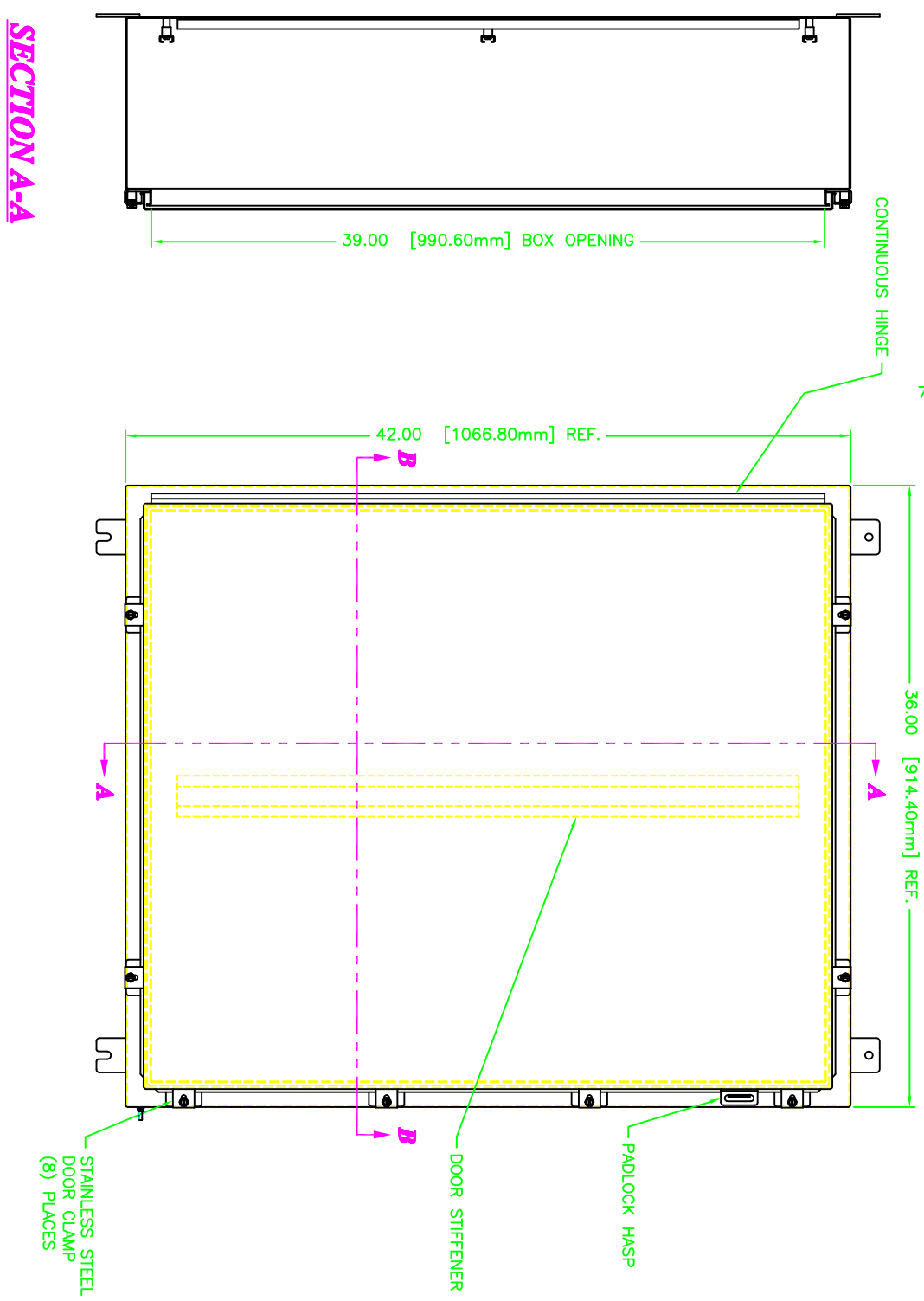
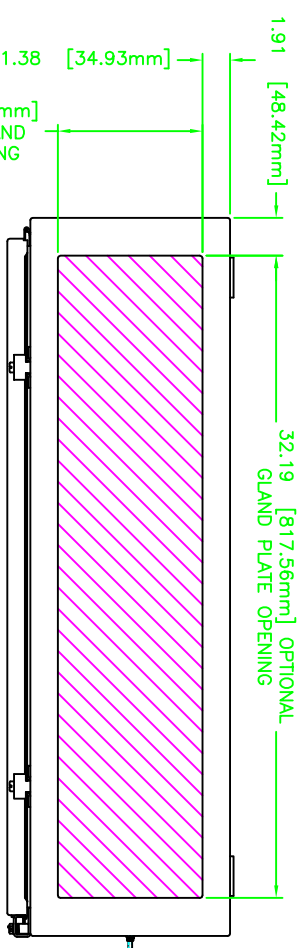


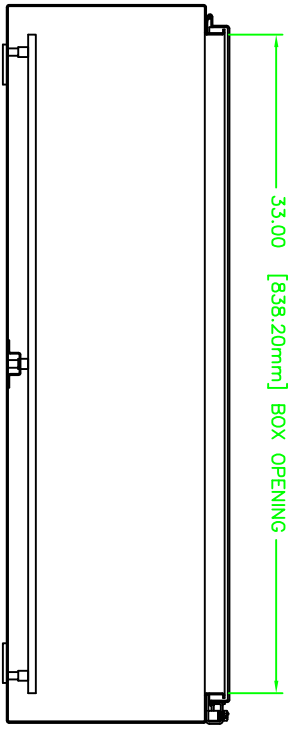
423610

UNCONTROLLED DRAWING

(DATA SUBJECT TO CHANGE WITHOUT NOTICE)
 FOR ADDITIONAL HELP CONTACT ENGINEERING@ADALEFT.COM



SECTION C-C



SECTION B-B

ENCLOSURE MATERIAL	CATALOG NUMBER	PART NUMBER
SS316L	TN4X6-423610U	M11195
SS304	TN4X-423610U	M11129

ADALEFT
 BUILDING AUTOMATIC SYSTEMS
 10000 WILSON ROAD, SUITE 100
 FORT WORTH, TEXAS 76154
 TEL: 817.423.6100 FAX: 817.423.6101
 WWW.ADALEFT.COM

ADALEFT
 A SCOTT FITZGER COMPANY
 423610
 12/29/08

DATE	BY	CHKD	APP'D
12/29/08	CLB		

423610 10F1 A