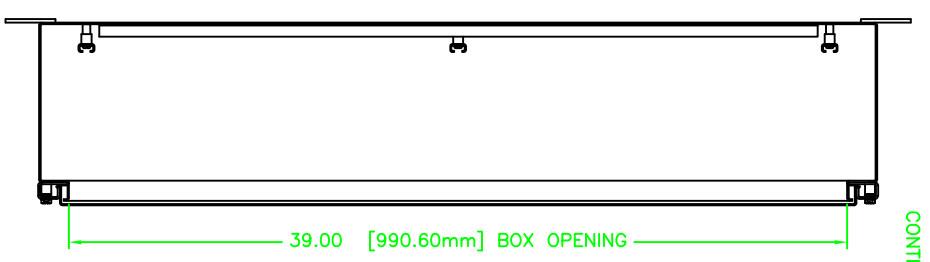
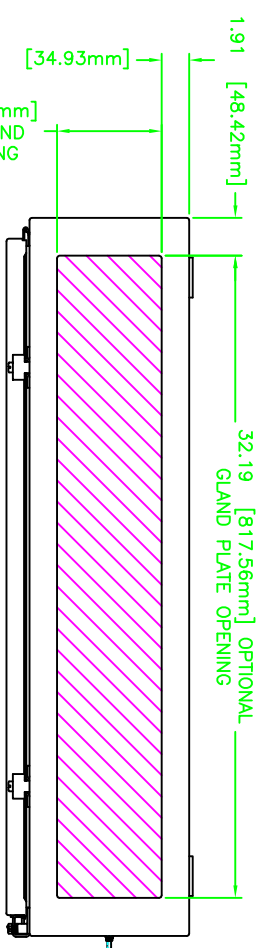


REV	REVISION	BY	ECN	DATE
A	INITIAL RELEASE	CLB		12/2/08

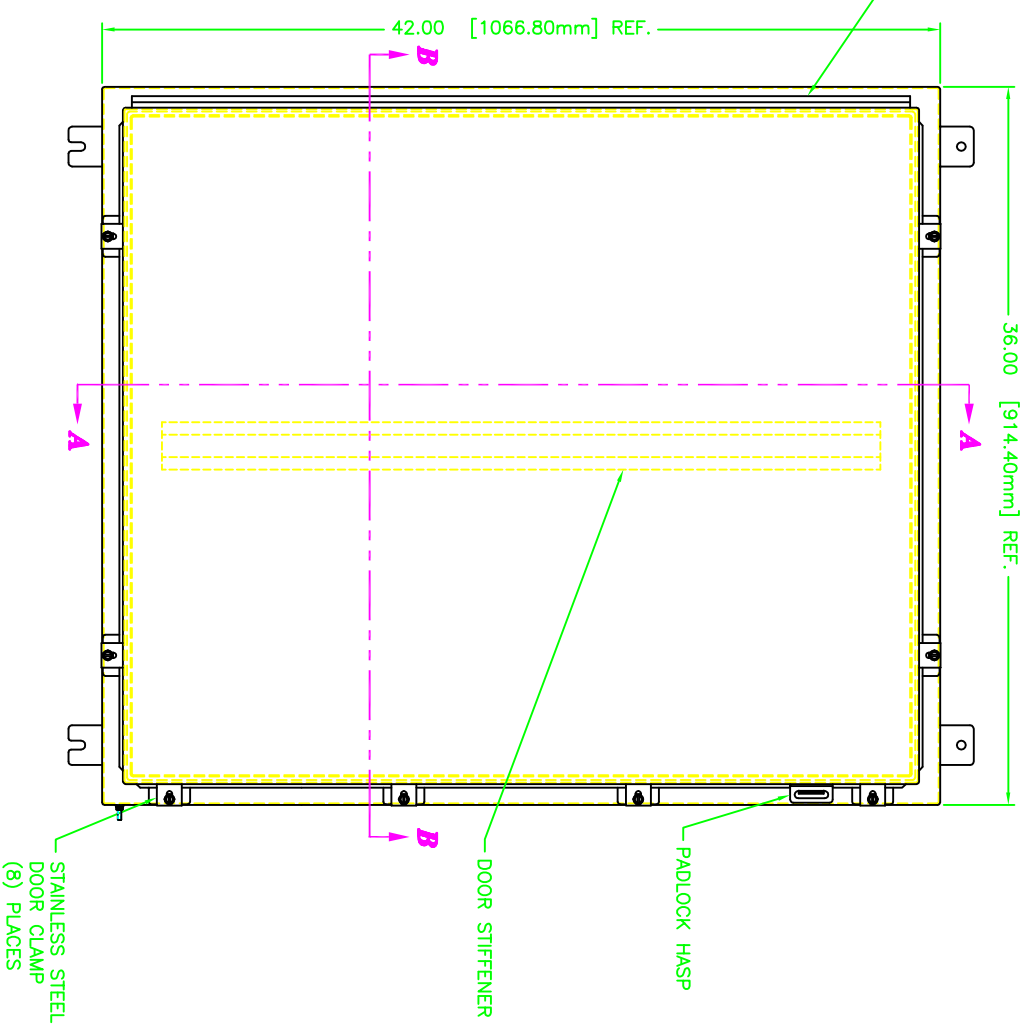
423608

# UNCONTROLLED DRAWING

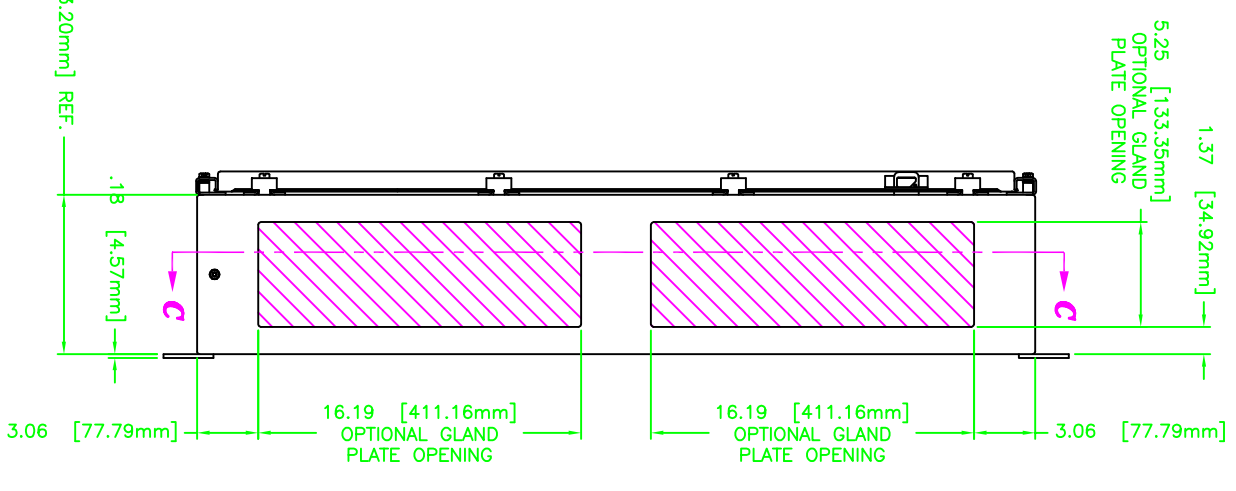
(DATA SUBJECT TO CHANGE WITHOUT NOTICE)  
FOR ADDITIONAL HELP CONTACT [ENGINEERING@ADALEFT.COM](mailto:ENGINEERING@ADALEFT.COM)



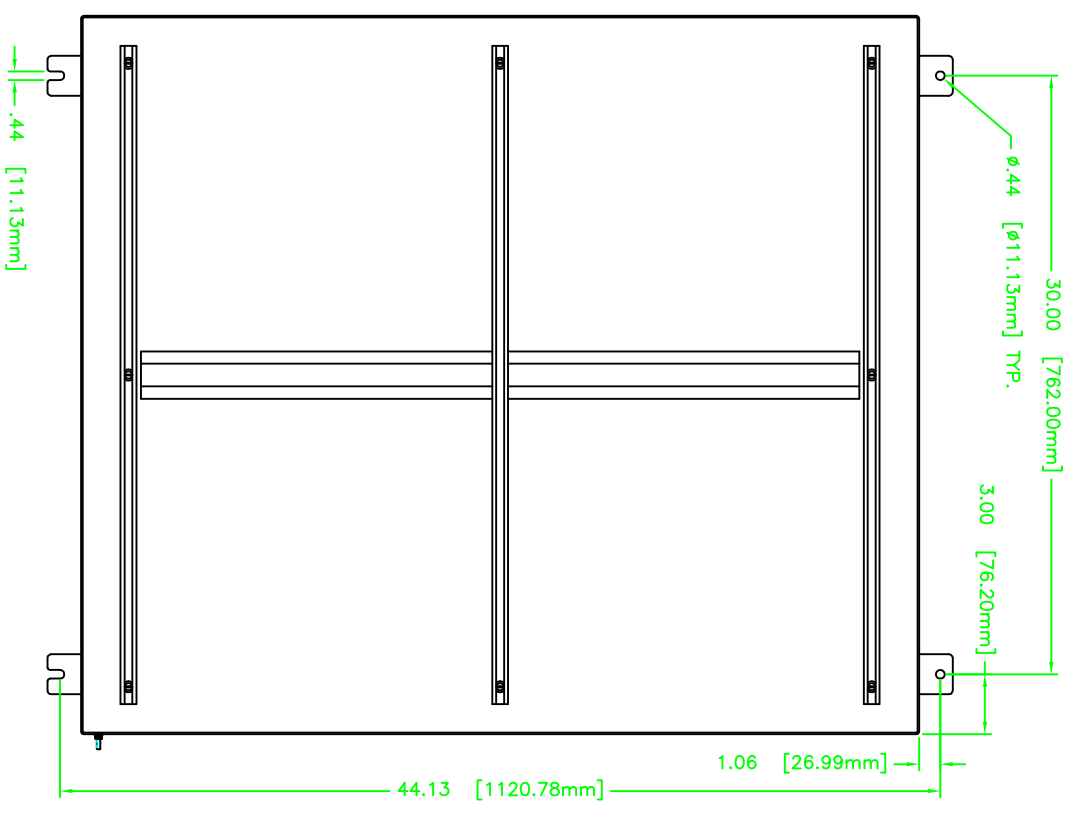
**SECTION A-A**



**SECTION B-B**



**SECTION C-C**



ENCLOSURE MATERIAL	CATALOG NUMBER	PART NUMBER
SS316L	TN4X6-423608U	M11185
SS304	TN4X-423608U	M11119

**ADALEFT**  
Buckham A SCOTT FITZGER COMPANY  
City of Orange, CA 92668

**NO NOT SCALE DRAWING**  
DIMENSIONS ARE IN INCHES  
SELECT METRIC TOLERANCES  
NOT OTHERWISE SPECIFIED:

FRACTIONAL ANGLES ± 1/16°  
XX ± .03°  
XXX ± .01°  
ANGLES ± 0°-30'  
HOLE POSITION ± .004" NOM.  
WAVELENGTH ± 1/16" PER FOOT  
ALL FIELD SIZES ARE NOM.

ADALEFT  
UNCONTROLLED DRAWING  
TOLERANCES:  
FRACTIONAL ANGLES ± 1/16°  
XX ± .03°  
XXX ± .01°  
ANGLES ± 0°-30'  
HOLE POSITION ± .004" NOM.  
WAVELENGTH ± 1/16" PER FOOT  
ALL FIELD SIZES ARE NOM.

TN4-423608 ENCLOSURE ASSEMBLY

DATE	BY	SCALE
12/3/08	CLB	1=5

DATE APPROVAL: \_\_\_\_\_  
DWG. NO: 423608  
REV: 10F1 A