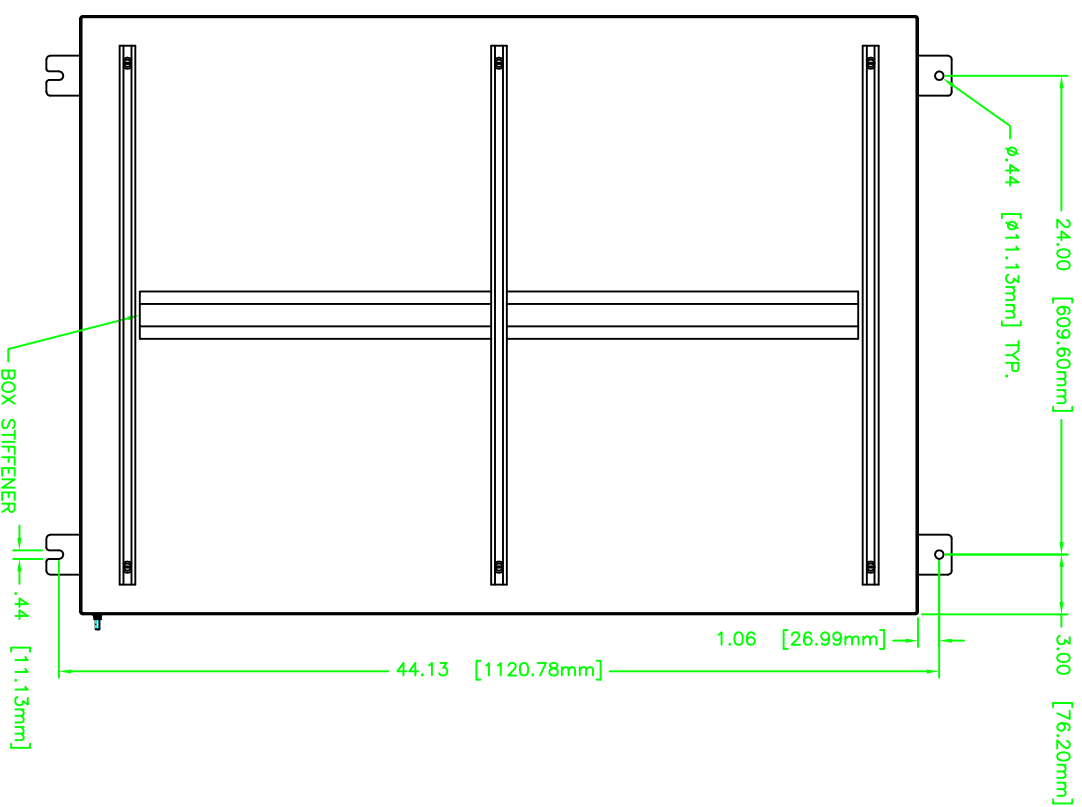
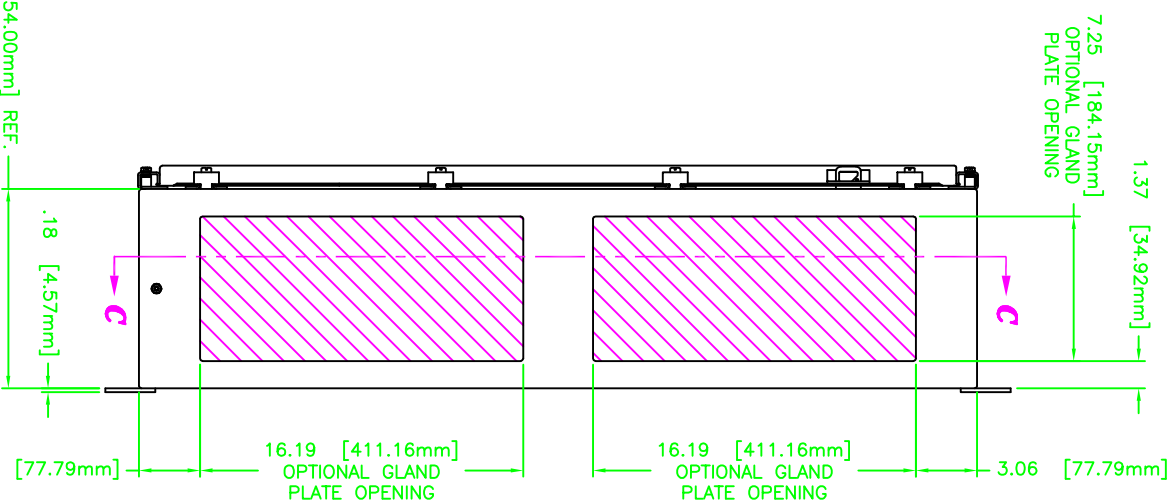
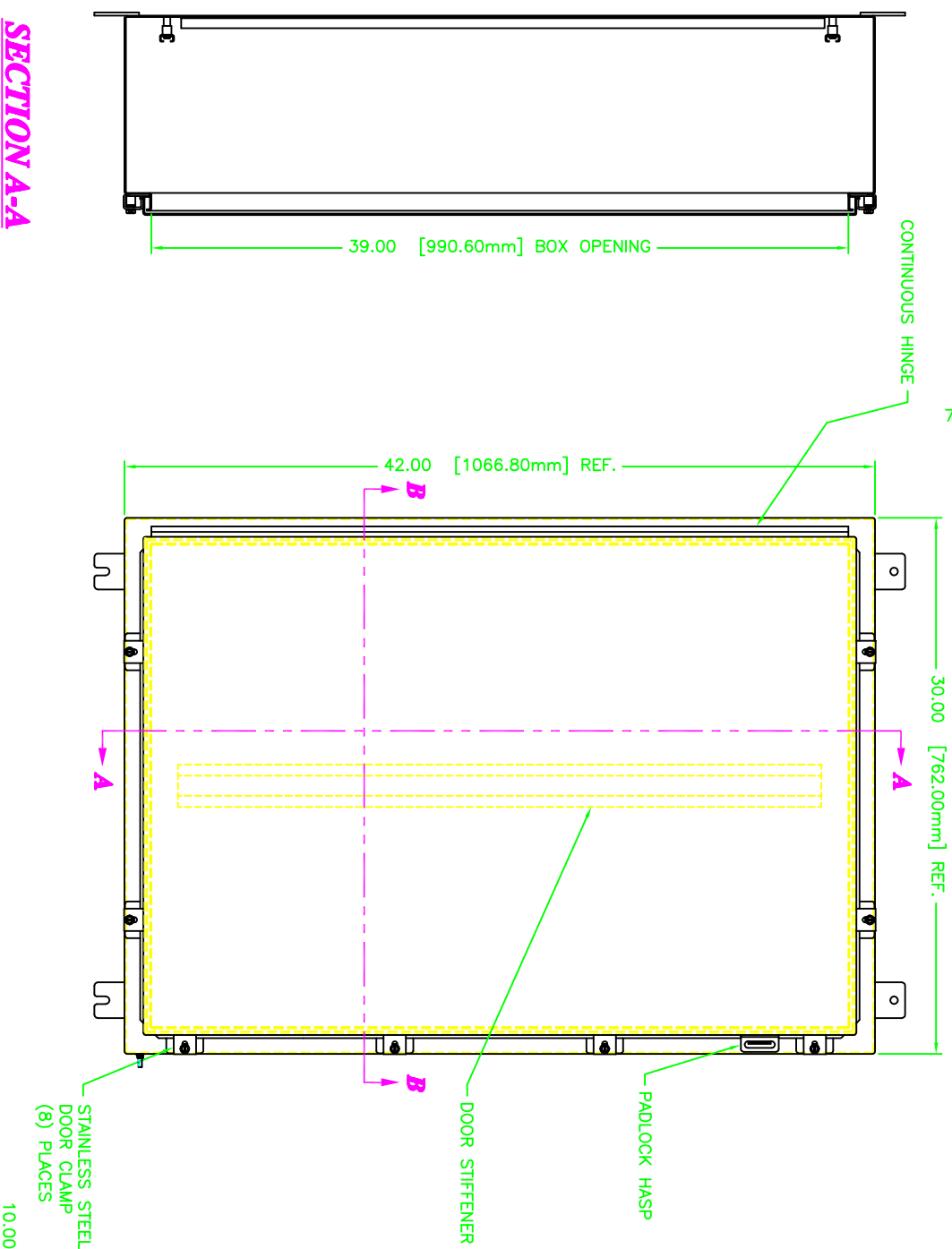
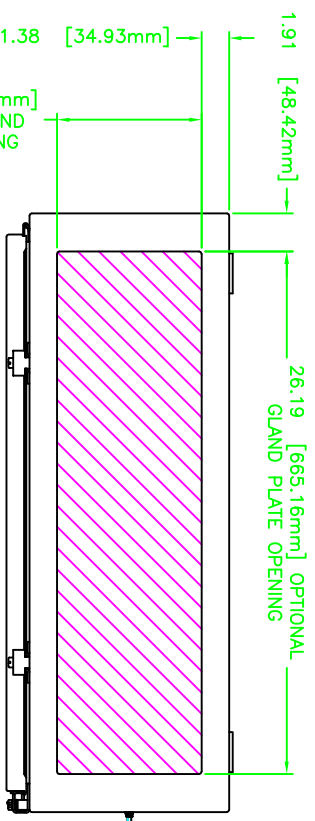


423010

# UNCONTROLLED DRAWING

(DATA SUBJECT TO CHANGE WITHOUT NOTICE)  
 FOR ADDITIONAL HELP CONTACT ENGINEERING@ADALET.com



ENCLOSURE MATERIAL	CATALOG NUMBER	PART NUMBER
SS316L	TN4X6-423010U	M11194
SS304	TN4X-423010U	M11128

**ADALET**  
 BUILDING OPERATIONS DIVISION  
 423010 ENCLOSURE ASSEMBLY

DESIGNED BY: [REDACTED] DATE: 12/3/08  
 DRAWN BY: [REDACTED] DATE: 12/3/08  
 CHECKED BY: [REDACTED] DATE: 12/3/08  
 APPROVED BY: [REDACTED] DATE: 12/3/08

423010 10F1 A