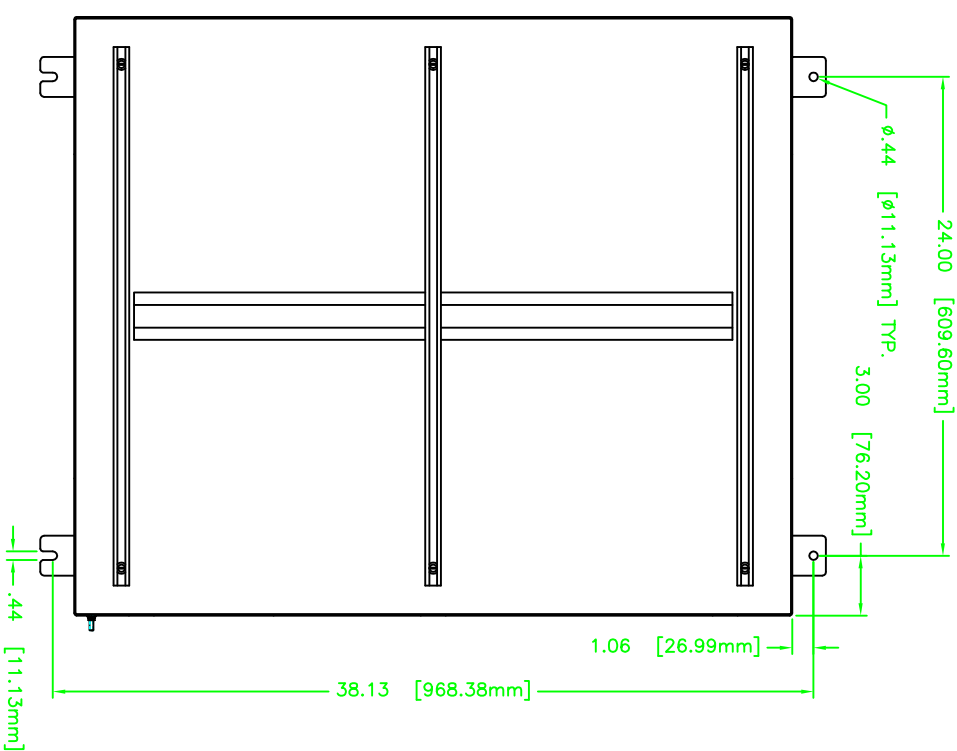
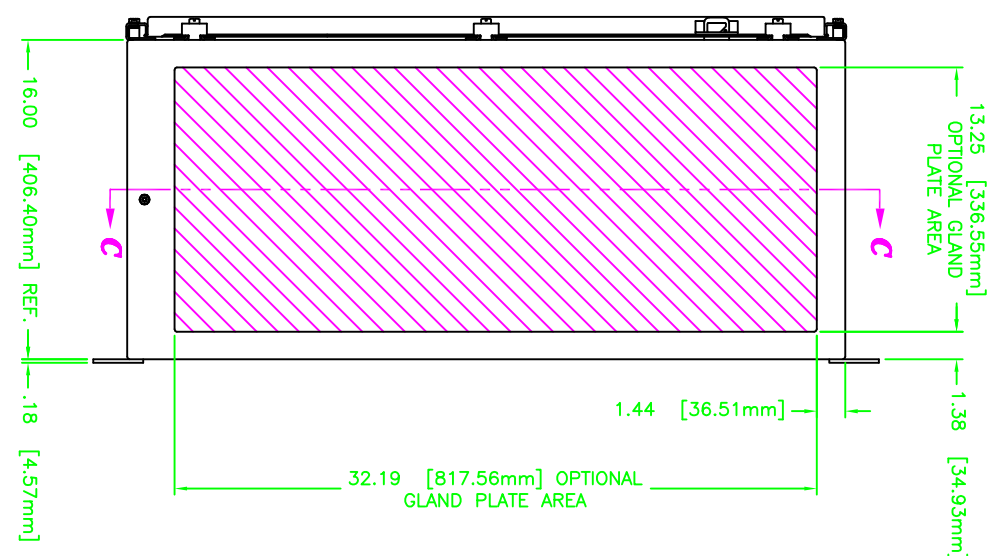
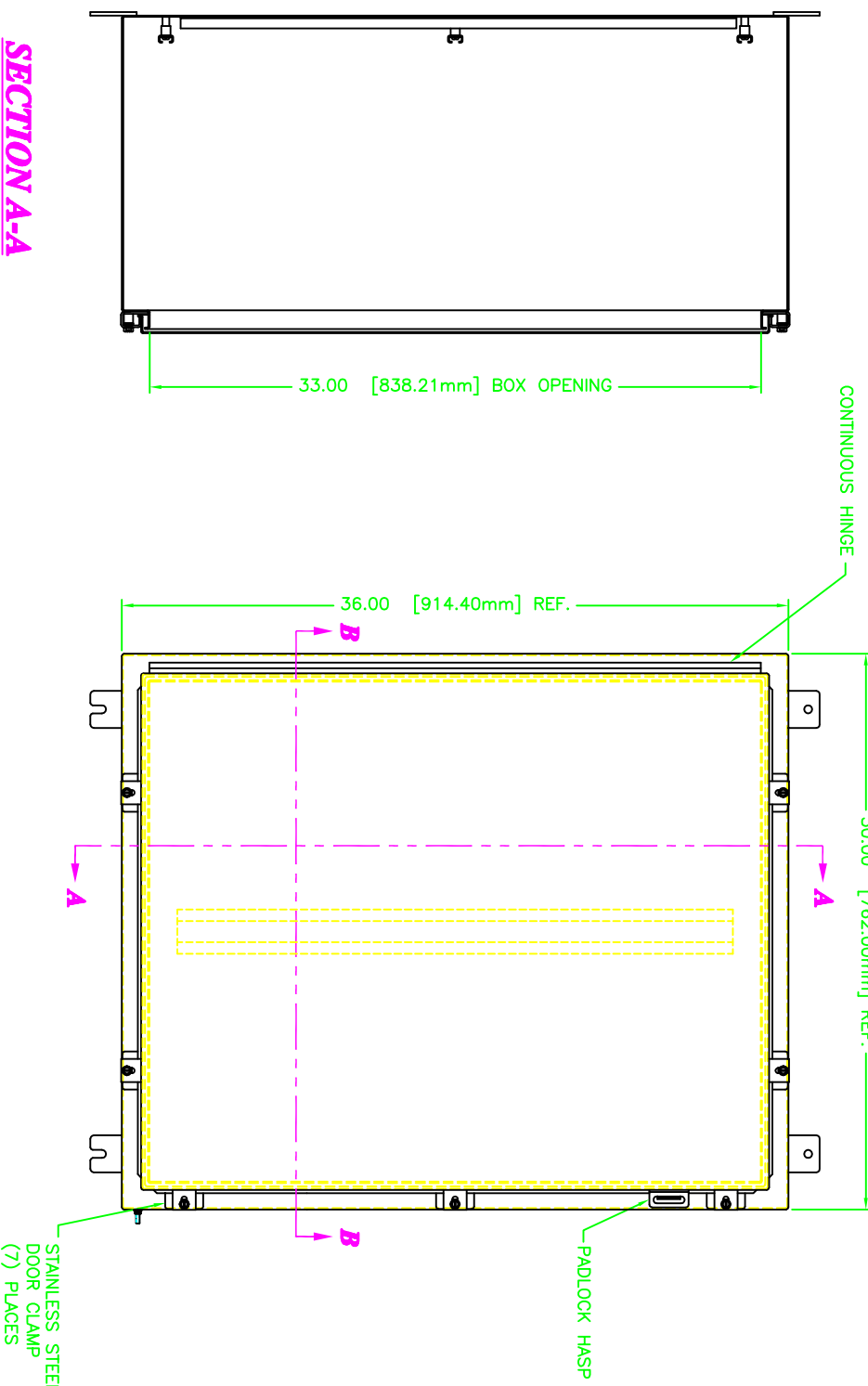
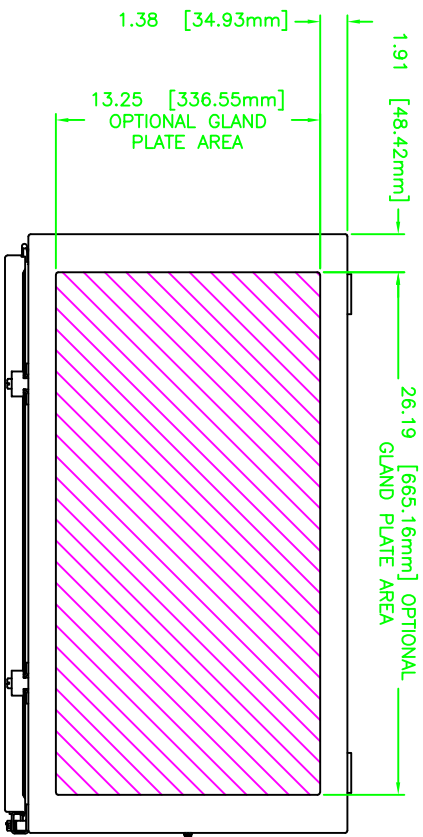


363016

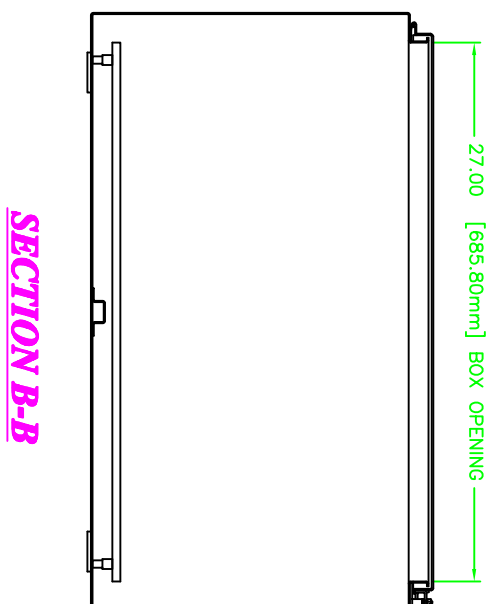
# UNCONTROLLED DRAWING

(DATA SUBJECT TO CHANGE WITHOUT NOTICE)

FOR ADDITIONAL HELP CONTACT ENGINEERING@ADALETT.COM



ENCLOSURE MATERIAL	CATALOG NUMBER	PART NUMBER
SS316L	TN4XG-363016U	M11418
SS304	TN4X-363016U	M11745



SECTION B-B

<p><b>ADALETT</b>          A SCOTT FITZGER COMPANY          44355          CLEVELAND, OH 44135</p>		<p>TN4-363016 ENCLOSURE ASSEMBLY</p>	
<p>NO NOT SCALE DRAWING          DIMENSIONS SHOWN UNLESS OTHERWISE SPECIFIED          SHEET METAL TOLERANCES          NOT OTHERWISE SPECIFIED:          FINISH 31/64"          XXX ± .005"          XXX ± .010"          HOLES ± .005"          HOLES ± .010"          HOLES ± .015"          HOLES ± .020"          HOLES ± .025"          HOLES ± .030"          HOLES ± .035"          HOLES ± .040"          HOLES ± .045"          HOLES ± .050"          HOLES ± .055"          HOLES ± .060"          HOLES ± .065"          HOLES ± .070"          HOLES ± .075"          HOLES ± .080"          HOLES ± .085"          HOLES ± .090"          HOLES ± .095"          HOLES ± .100"          HOLES ± .105"          HOLES ± .110"          HOLES ± .115"          HOLES ± .120"          HOLES ± .125"          HOLES ± .130"          HOLES ± .135"          HOLES ± .140"          HOLES ± .145"          HOLES ± .150"          HOLES ± .155"          HOLES ± .160"          HOLES ± .165"          HOLES ± .170"          HOLES ± .175"          HOLES ± .180"          HOLES ± .185"          HOLES ± .190"          HOLES ± .195"          HOLES ± .200"</p>		<p>DATE 12/3/08          DRAWN BY          CHECKED BY          APPROVED BY          DATE APPROVAL          DWG NO. D          REV NO. 10F1 A</p>	