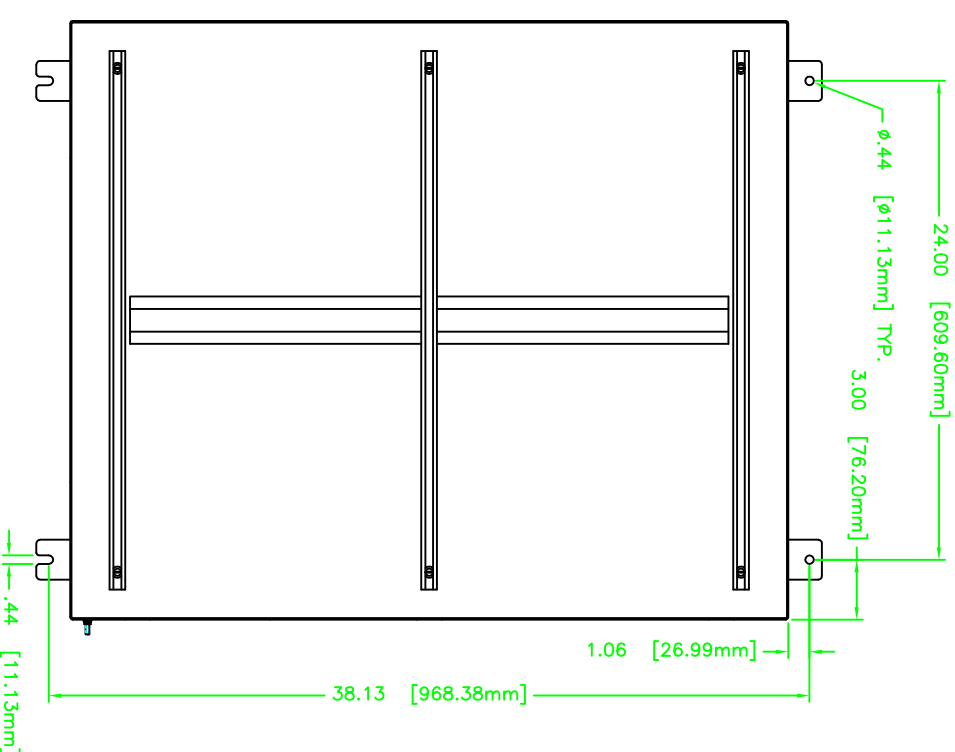
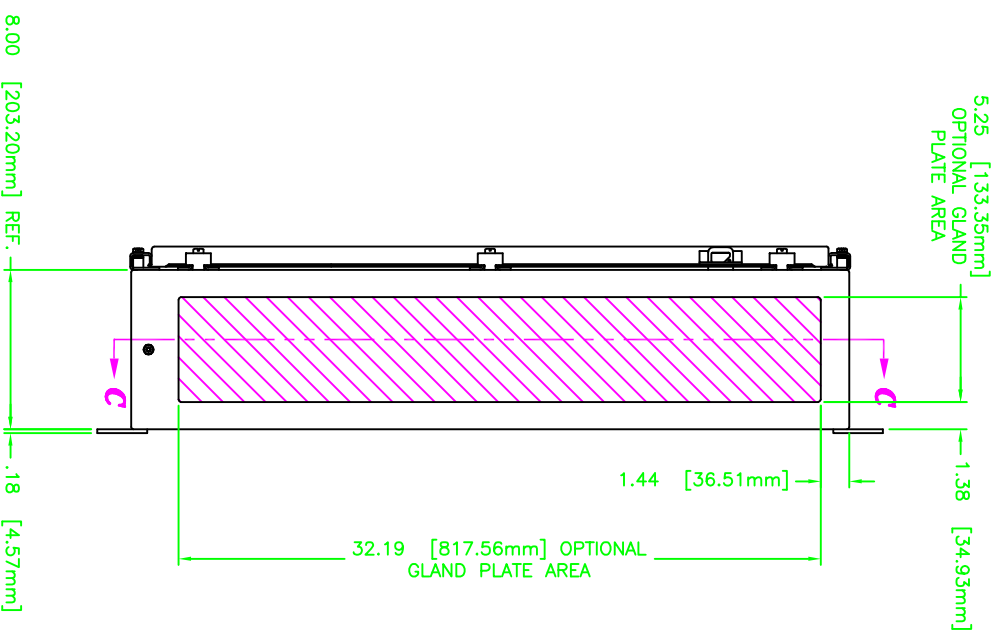
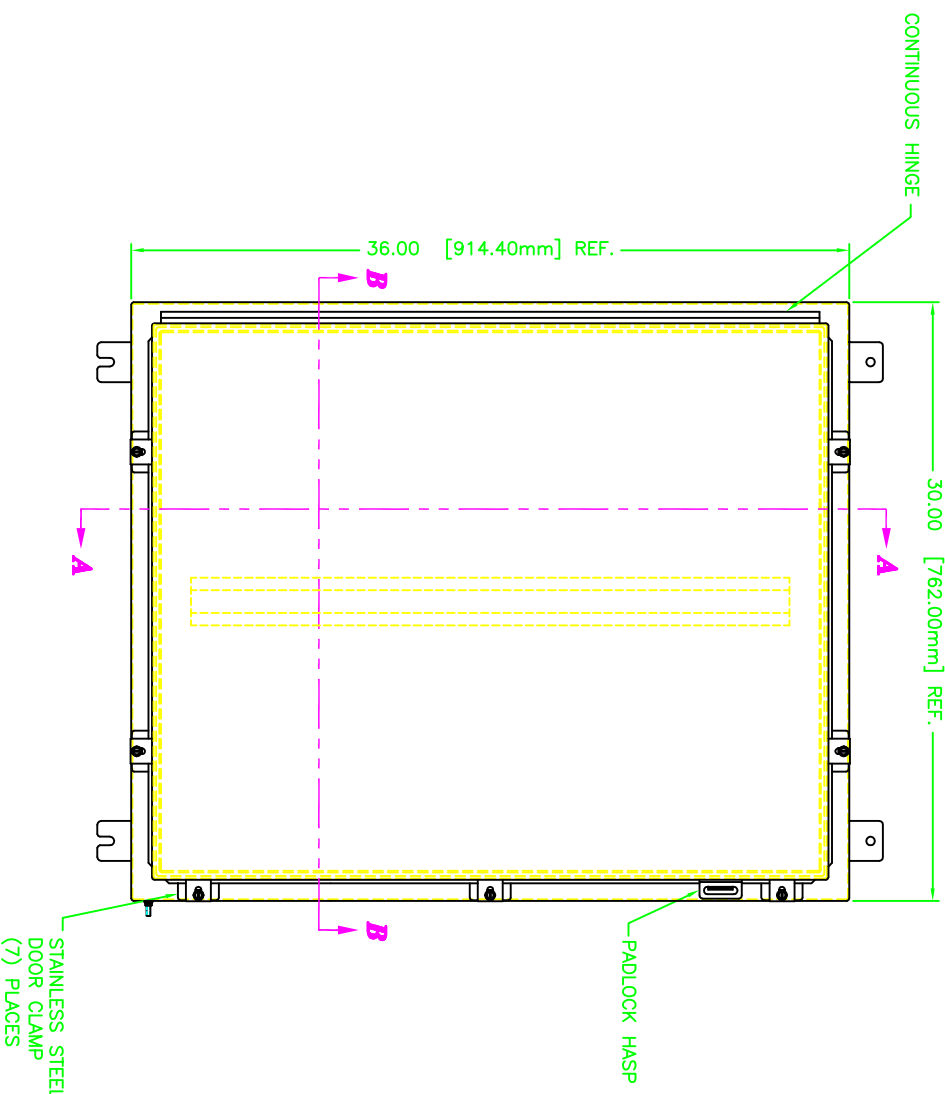
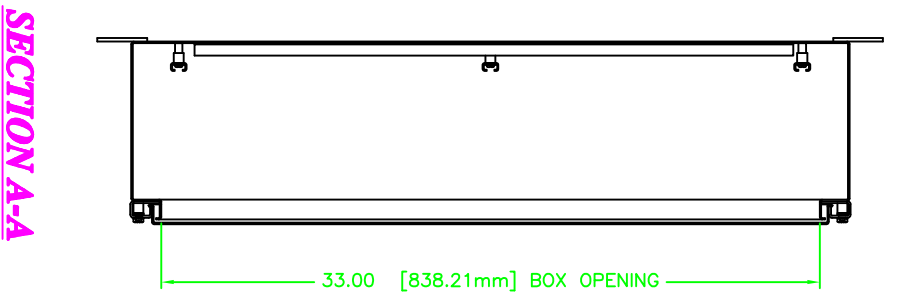
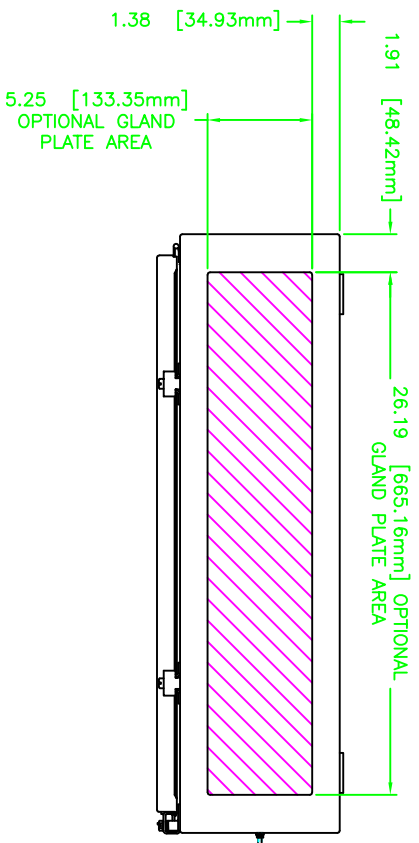


363008

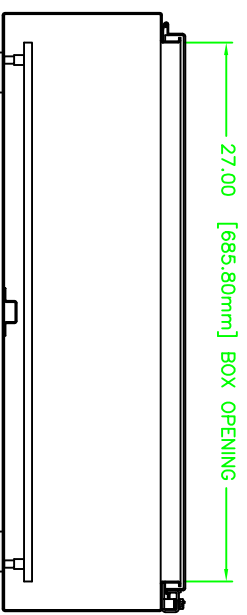
# UNCONTROLLED DRAWING

(DATA SUBJECT TO CHANGE WITHOUT NOTICE)

FOR ADDITIONAL HELP CONTACT ENGINEERING@ADALEFT.COM



## SECTION C-C



## SECTION B-B

| ENCLOSURE MATERIAL | CATALOG NUMBER | PART NUMBER |
|--------------------|----------------|-------------|
| SS316L             | TN4XG-363008U  | M11182      |
| SS304              | TN4X-363008U   | M11116      |

|   |  |                                      |                  |
|---|--|--------------------------------------|------------------|
| <p><b>ADALEFT</b><br/>A SCOTT FITZGER COMPANY<br/>Engineering &amp; Fabrication<br/>Cleveland, OH 44135</p>   |  | <p>TN4-363008 ENCLOSURE ASSEMBLY</p> |                  |
| <p>NO NOT SCALE DRAWING<br/>UNLESS OTHERWISE SPECIFIED<br/>DIMENSIONS ARE IN INCHES<br/>SHEET METAL TOLERANCES<br/>NOT OTHERWISE SPECIFIED:<br/>FINC ±1/16"<br/>XCC ±.03"<br/>XCC ±.015"<br/>ANGLES ± 0°-30"<br/>HOLE SIZE VARIATION ± .004 NOM.<br/>WIREGAGE ± 1/16" PER FOOT<br/>ALL FIELD SIZES ARE MIN.</p> | <p>WORK TO BEING ISSUED THE DRAWING<br/>ISSUED DATE CLASSIFICATION NOTES IN THE WORKING<br/>FOR ENGINEERING REVISIONS ONLY AND NOT FOR REVISIONS<br/>REVISIONS SHALL BE INDICATED BY DATE APPROVAL<br/>DATE APPROVAL DATE APPROVAL<br/>DATE APPROVAL DATE APPROVAL<br/>DATE APPROVAL DATE APPROVAL</p> | <p>DATE 12/3/08</p>                  | <p>SCALE 1=5</p> |
| CAT NO  |  | REV                                  |                  |
| 363008  |  | 10F1                                 | A                |