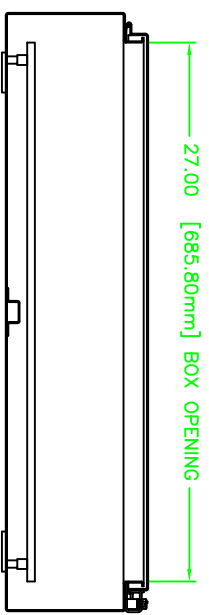
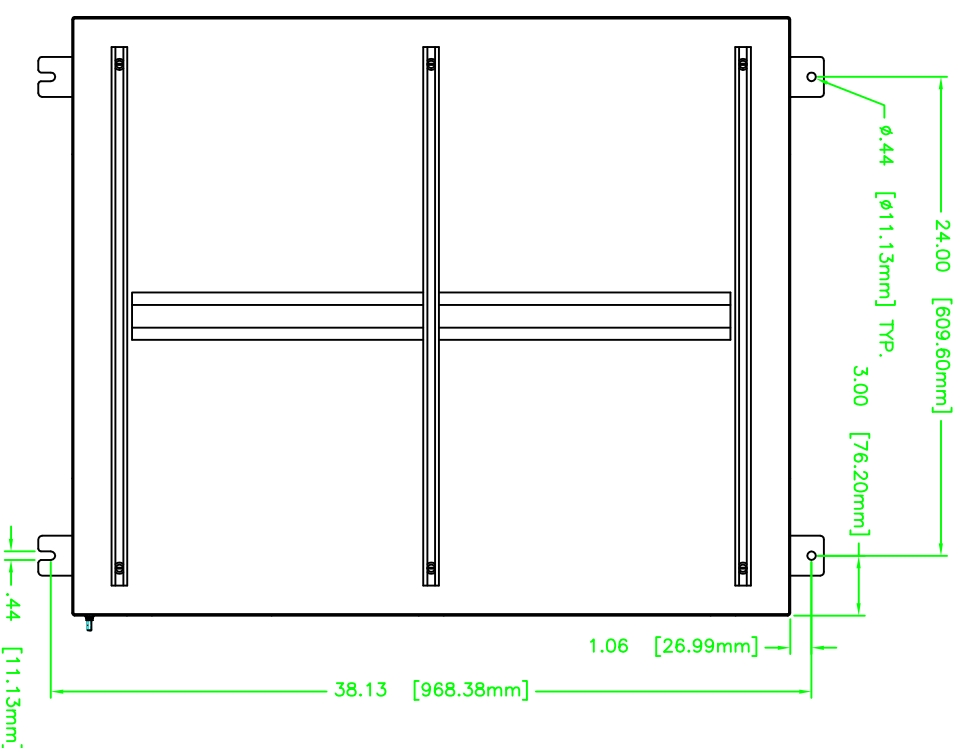
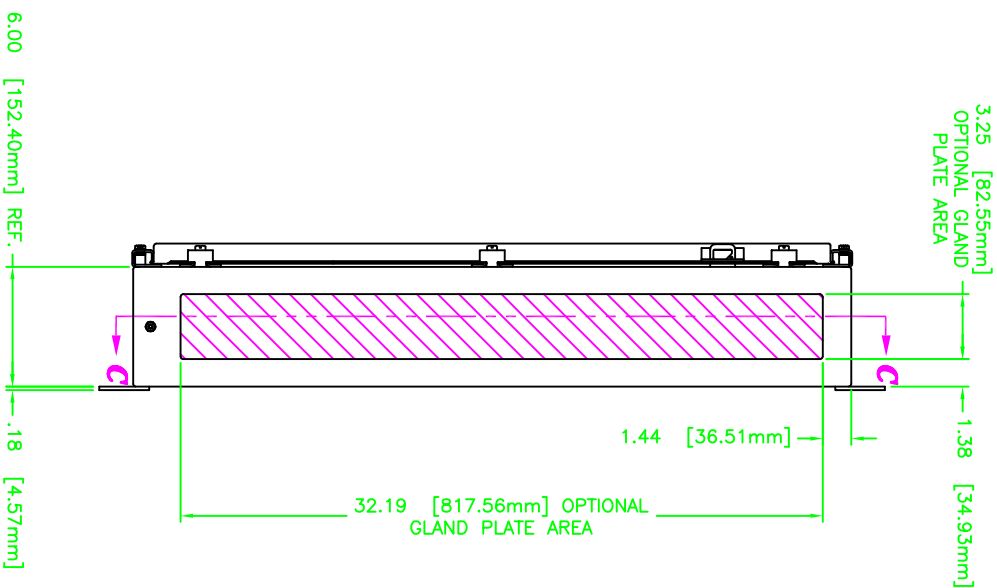
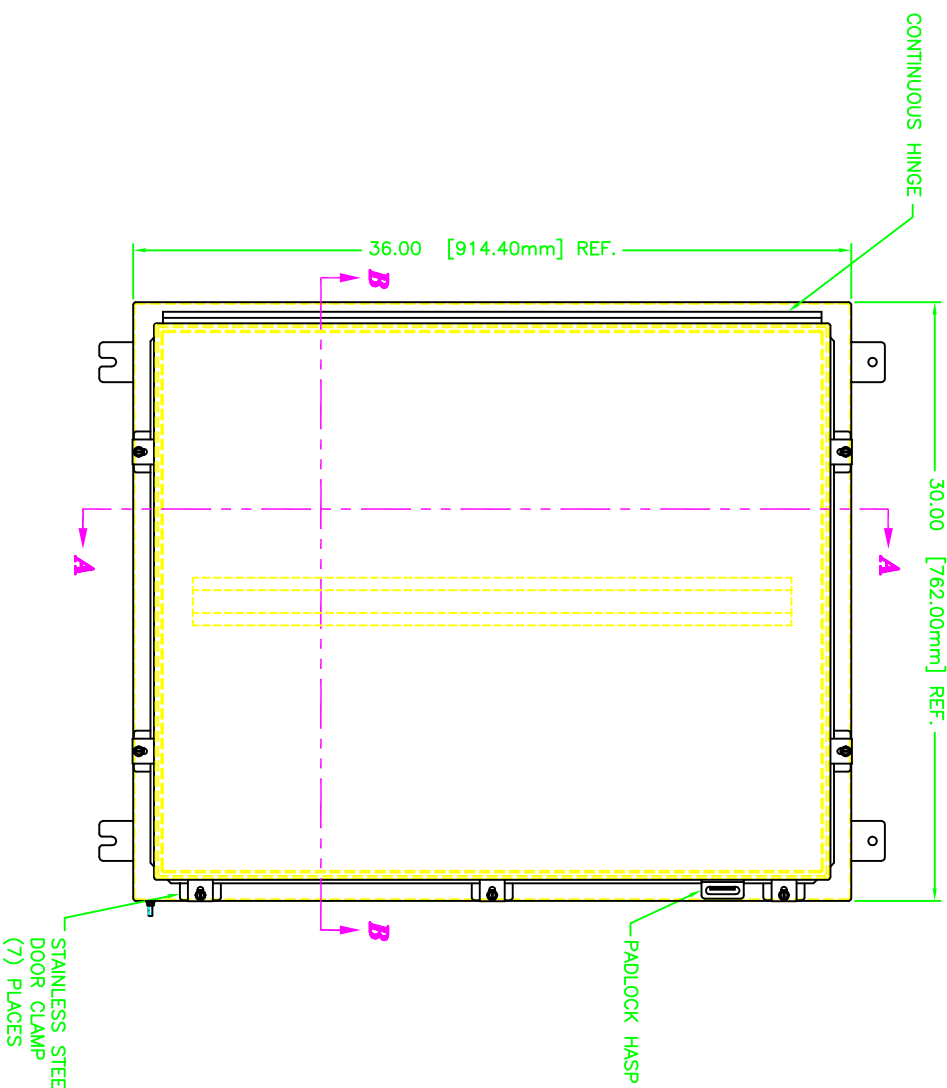
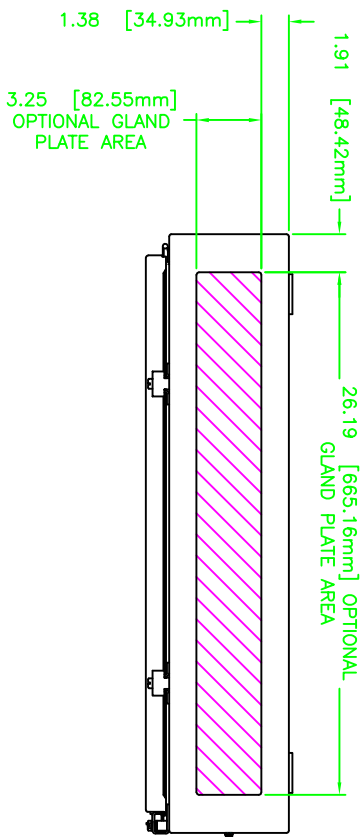


363006

UNCONTROLLED DRAWING

(DATA SUBJECT TO CHANGE WITHOUT NOTICE)

FOR ADDITIONAL HELP CONTACT ENGINEERING@ADALEFT.COM



ENCLOSURE MATERIAL	CATALOG NUMBER	PART NUMBER
SS316L	TN4XG-363006U	M11167
SS304	TN4X-363006U	M11101

DO NOT SCALE DRAWING		DATE	
UNLESS OTHERWISE SPECIFIED DIMENSIONS ARE IN INCHES	Engineering	CLB	12/3/08
SHEET METAL TOLERANCES NOT OTHERWISE SPECIFIED:	ADALEFT A SCOTT FITZGER COMPANY Cleveland, OH 44135	DATE SCALE	1=5
FINISH: 31/6"	WORK TO BEING ISSUED THE SAME	DWG SIZE	D
XXX ± .03"	ISO 9001 REGISTERED	REV	10F1 A
ANGLES 3 0'-30"	FOR DIMENSIONS INDICATED IN THIS DRAWING	DATE	
WELDS: 1/16" FSA FOOT	ALL FIELD SIZES ARE MIN.		