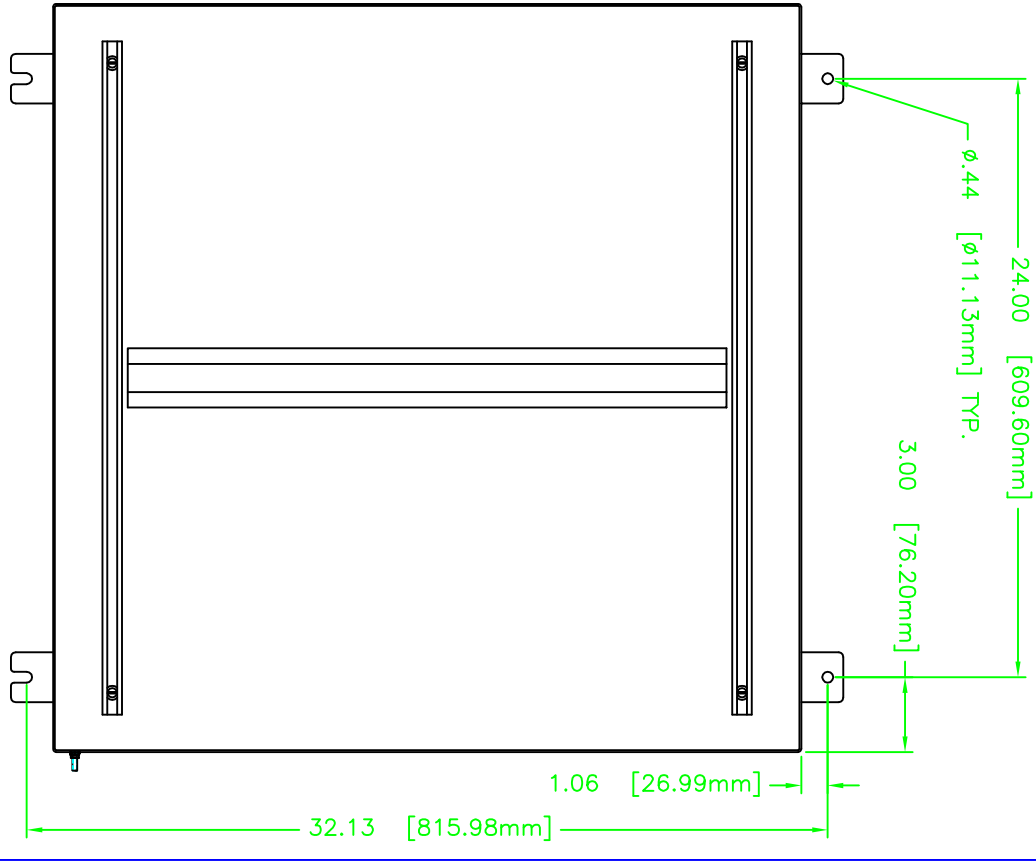
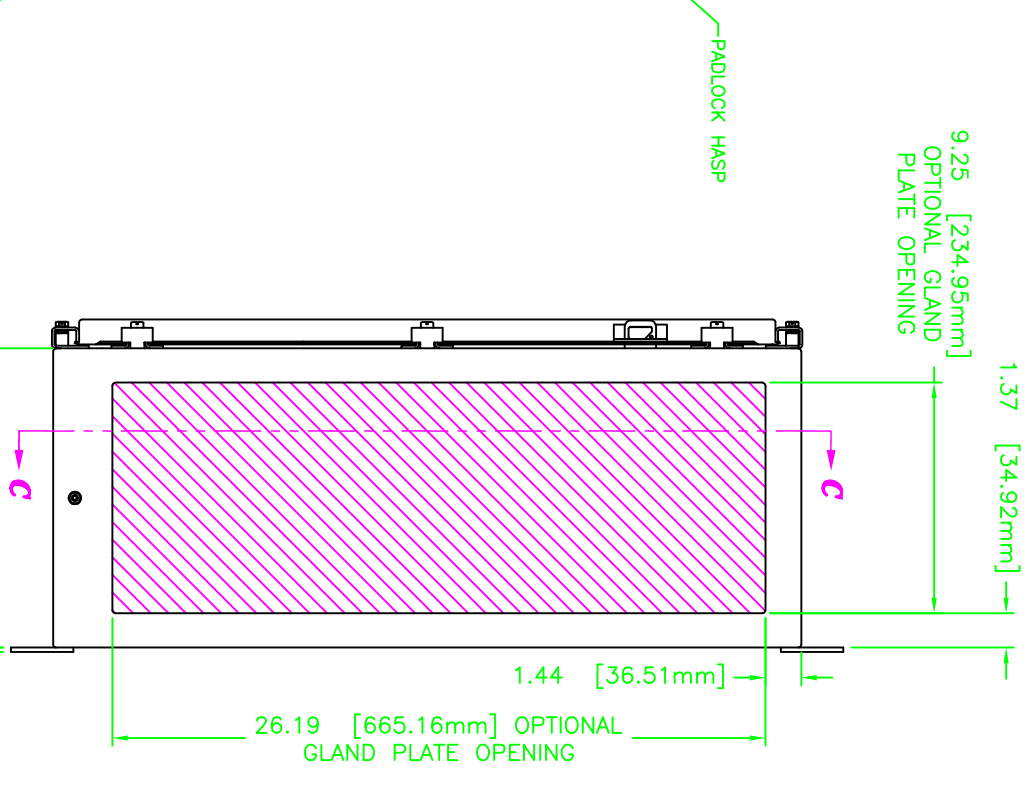
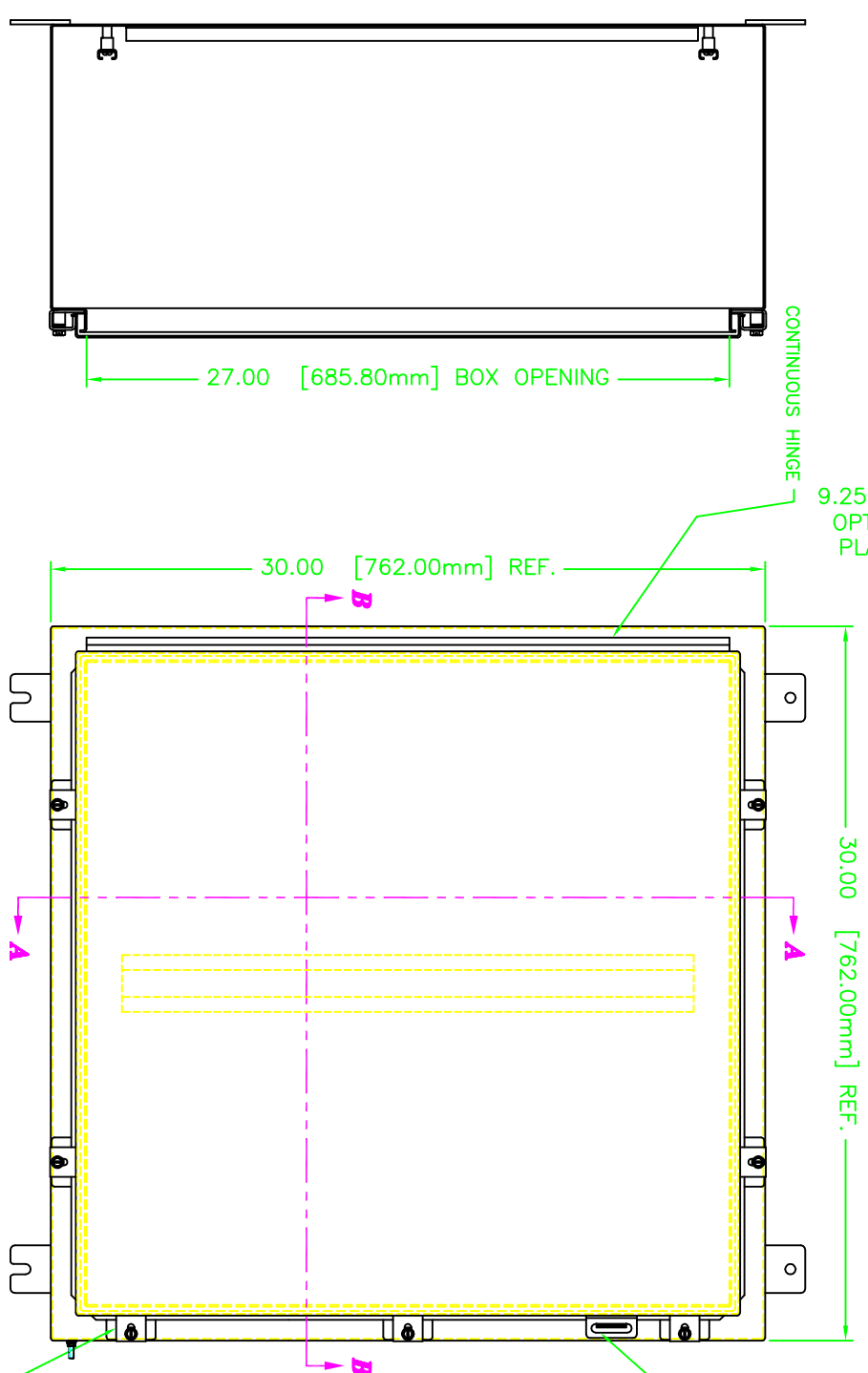
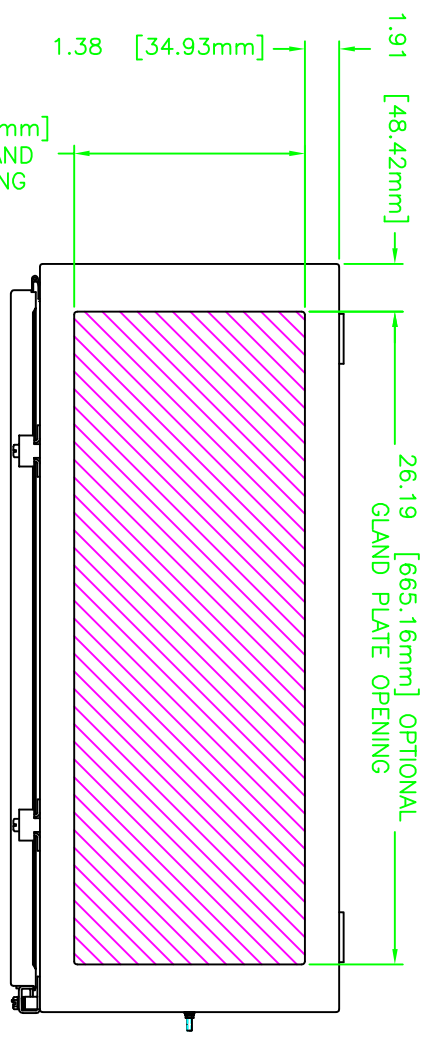


REV	REVISION	BY	ECN	DATE
A	INITIAL RELEASE	CLB		12/2/08

303012

UNCONTROLLED DRAWING

(DATA SUBJECT TO CHANGE WITHOUT NOTICE)
 FOR ADDITIONAL HELP CONTACT ENGINEERING@ADALET.COM



ENCLOSURE MATERIAL	CATALOG NUMBER	PART NUMBER
SS316L	TN4X6-303012U	M11407
SS304	TN4X-303012U	M11136

ADALET BUILDING OPERATIONS SERVICES 10000 W. 116th St., Suite 100 Overland Park, MO 66204 Phone: (816) 875-1100 Fax: (816) 875-1101 Email: info@adalet.com		TN4-303012 ENCLOSURE ASSEMBLY	
DRAWING APPROVED BY: [Signature] DATE: 12/3/08	CHECKED BY: [Signature] DATE: 12/3/08	SCALE: 1=4	SHEET: D
303012		10F1A	