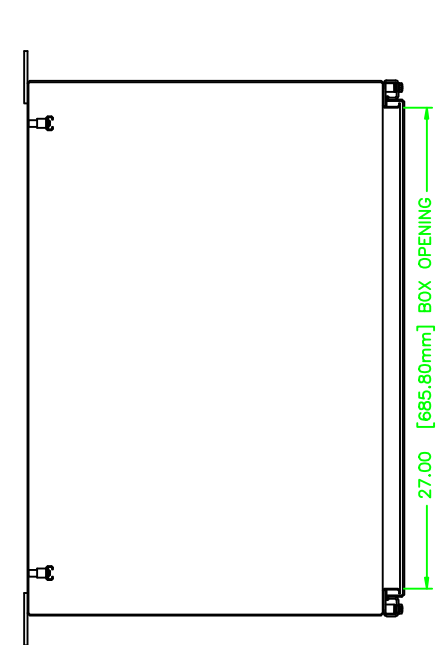
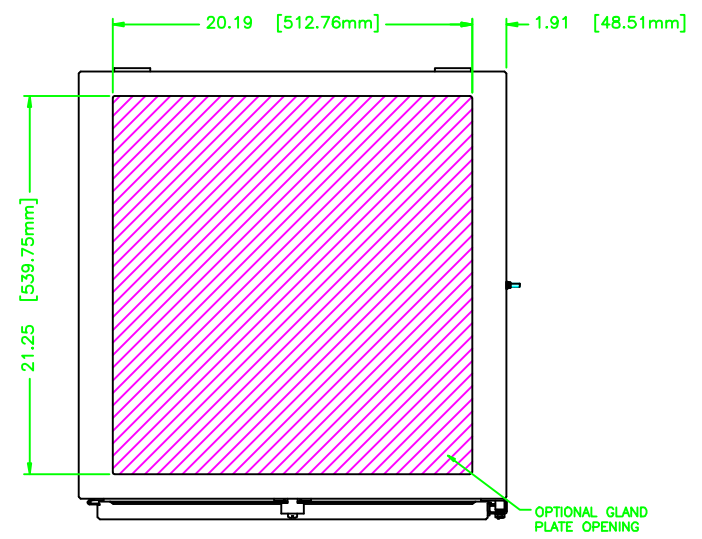


302424

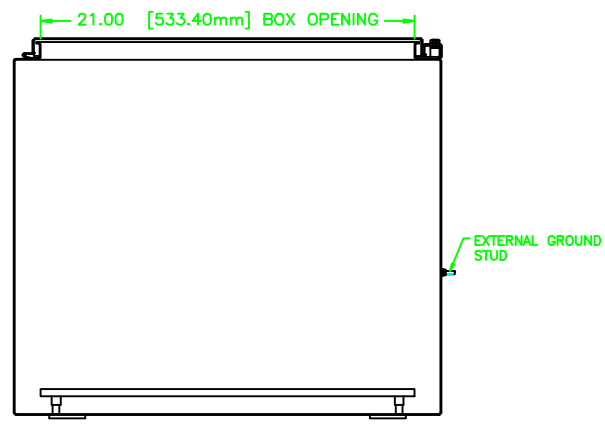
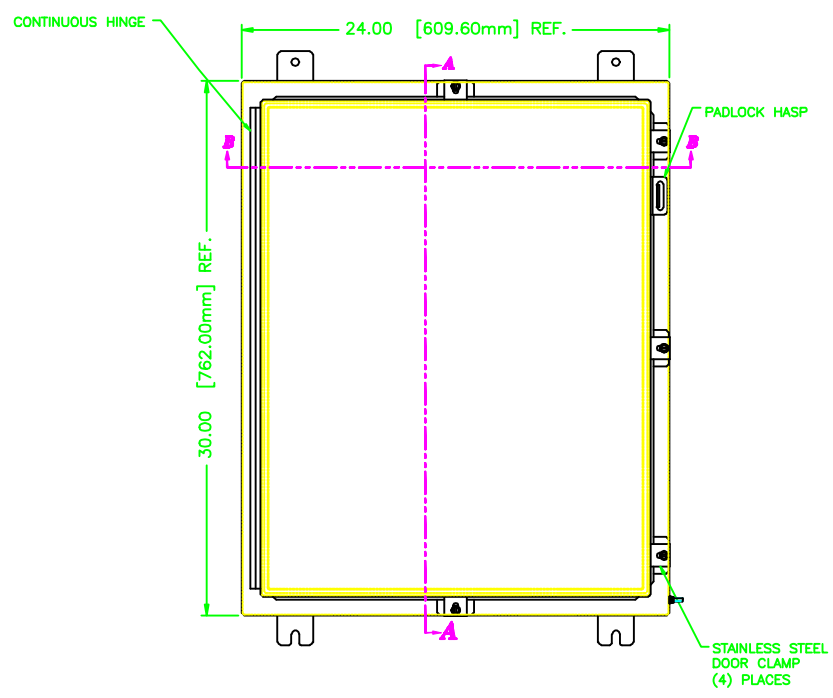
REV	REVISION	BY	BCN	DATE
A	INITIAL RELEASE	TT		12/2/08

UNCONTROLLED DRAWING

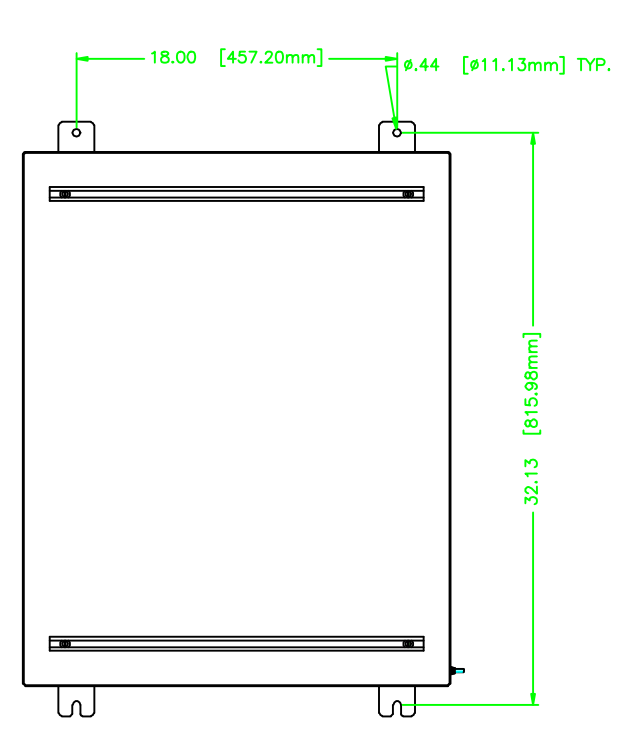
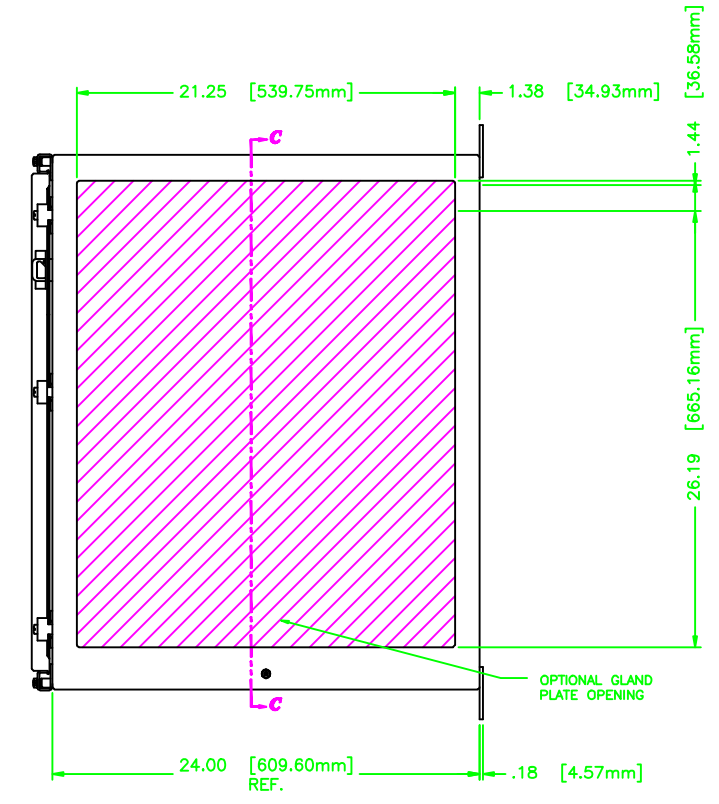
(DATA SUBJECT TO CHANGE WITHOUT NOTICE)
 FOR ADDITIONAL HELP CONTACT ENGINEERING@ADALET.COM



SECTION A-A



SECTION B-B



SECTION C-C

ENCLOSURE MATERIAL	CATALOG NUMBER	PART NUMBER
SS316L	TN4X6-302424U	M11428
SS304	TN4X-302424U	M11153

<p>NO SCALE DRAWING</p> <p>UNLESS OTHERWISE SPECIFIED DIMENSIONS ARE IN INCHES.</p> <p>SHEET METAL TOLERANCES NOT OTHERWISE SPECIFIED:</p> <p>FINC ±1/16"</p> <p>JXX ±.02"</p> <p>JXX ±.010"</p> <p>ANGLES ± 0°-30"</p> <p>INSIDE BEND RADIUS = .040" NOM.</p> <p>WARPAGE = 1/16" PER FOOT</p> <p>ALL WELD SIZES ARE MIN.</p>		<p>ADALET</p> <p>A SCOTT FETZER COMPANY</p> <p>Radio Shack Systems • Cable Accessories</p> <p>General Electronics</p>	<p>TN4-302424 ENCLOSURE ASSEMBLY</p> <p>DRAWN BY TT DATE 12/3/08</p> <p>REV APPROVAL 1=5</p> <p>REV APPROVAL REV SIZE D</p> <p>REV NO 302424 REV 10F1</p>
---	--	--	---