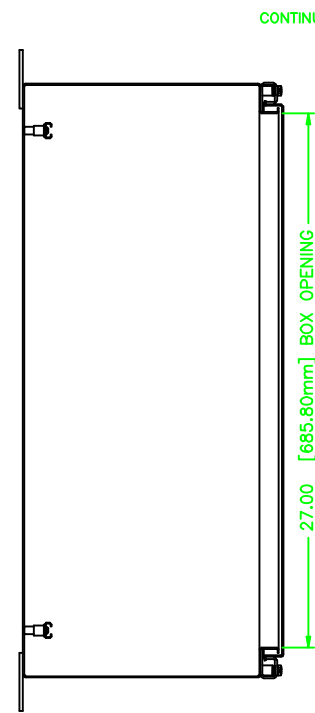
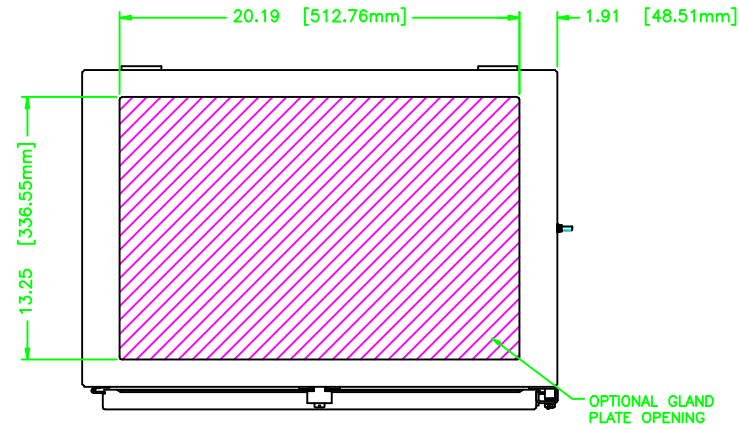


302416

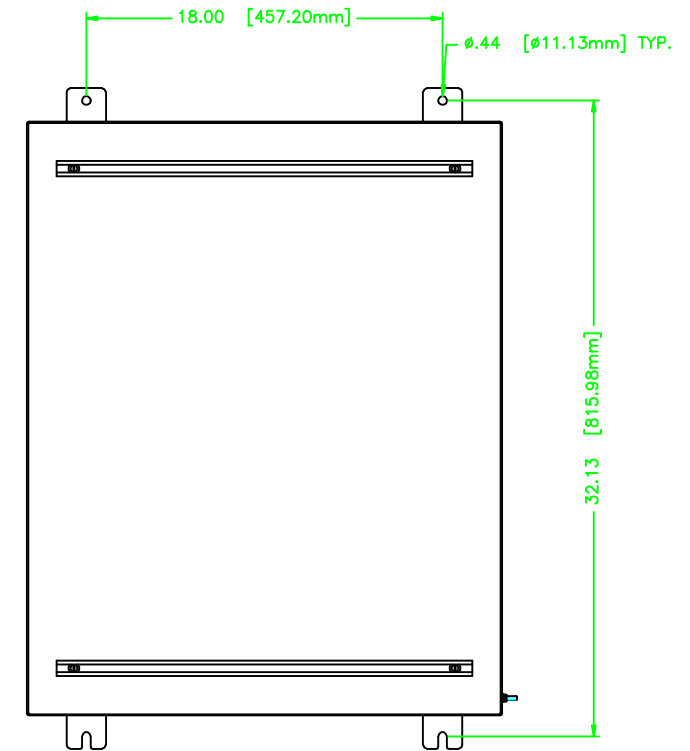
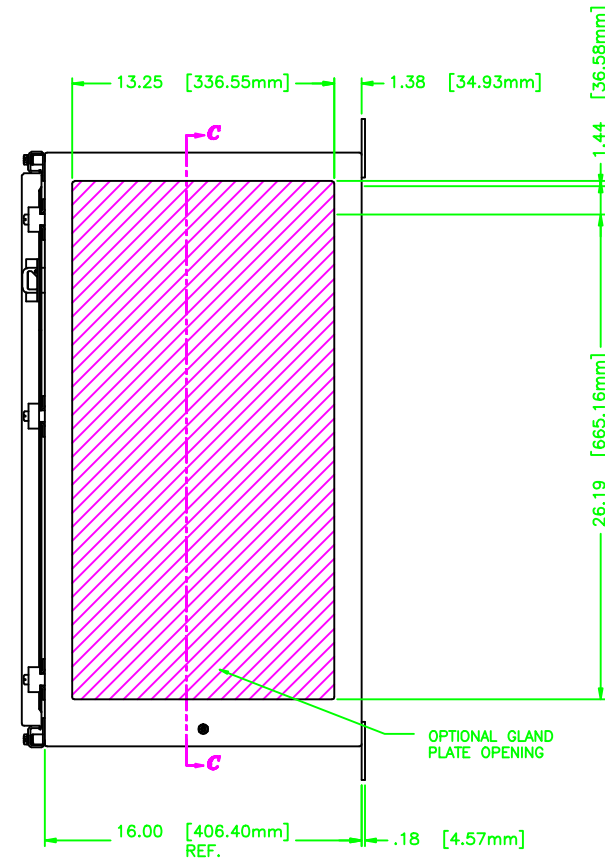
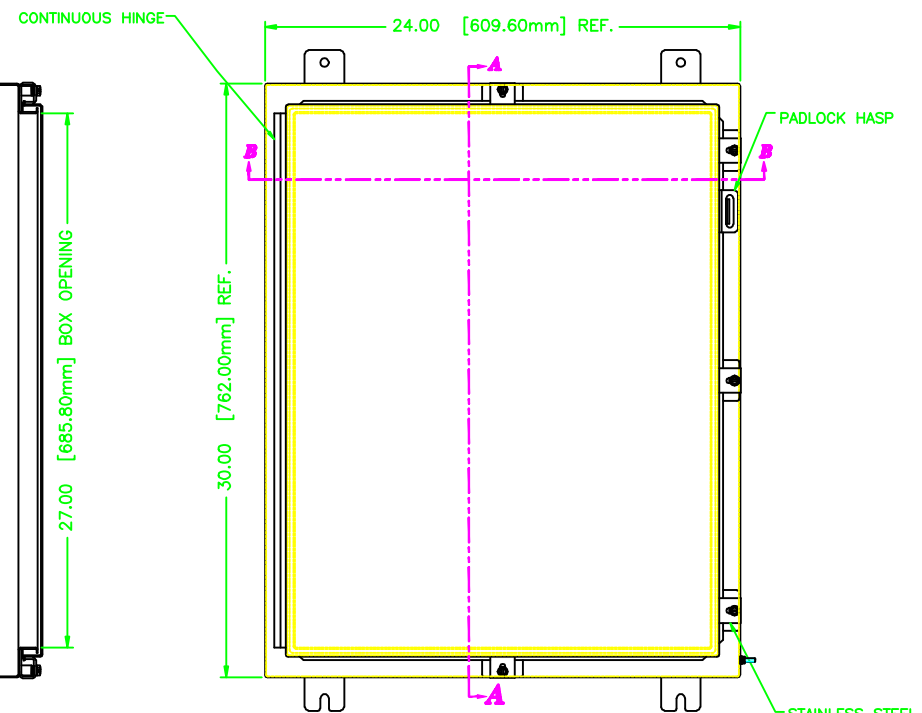
REV	REVISION	BY	BCN	DATE
A	INITIAL RELEASE	TT		12/2/08

UNCONTROLLED DRAWING

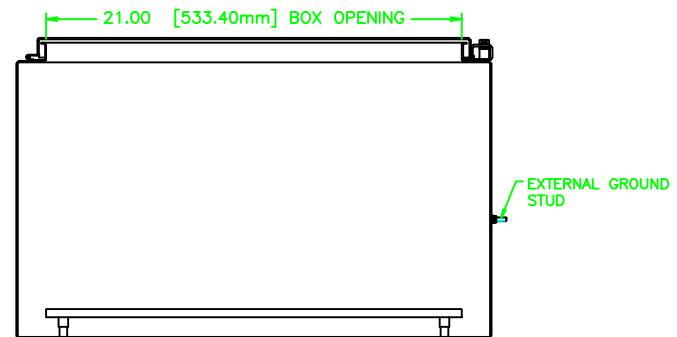
(DATA SUBJECT TO CHANGE WITHOUT NOTICE)
 FOR ADDITIONAL HELP CONTACT ENGINEERING@ADALET.com



SECTION A-A



SECTION C-C



SECTION B-B

ENCLOSURE MATERIAL	CATALOG NUMBER	PART NUMBER
SS316L	TN4X8-302418U	M11417
SS304	TN4X-302418U	M11444

<p>DO NOT SCALE DRAWING</p> <p>UNLESS OTHERWISE SPECIFIED DIMENSIONS ARE IN INCHES.</p> <p>SHEET METAL TOLERANCES NOT OTHERWISE SPECIFIED:</p> <p>FINN ± 1/16"</p> <p>JXX ± .02"</p> <p>JXX ± .010"</p> <p>ANGLES ± 0°-30"</p> <p>INSIDE BEND RADIUS = .040" NOM.</p> <p>WARPAGE = 1/16" PER FOOT</p> <p>ALL WELD SIZES ARE MIN.</p>		<p>ADALET A SCOTT FETZER COMPANY Enclosure Systems • Cable Accessories General Services • 888-444-4444</p>		<p>NOTICE TO PERSONS RECEIVING THIS DRAWING: ADALET CLAIMS PROPRIETARY RIGHTS IN THE MATERIALS, METHODS, AND EQUIPMENT USED IN THE DESIGN AND CONSTRUCTION OF THIS DRAWING. THIS DRAWING IS ISSUED IN CONFIDENCE FOR ENGINEERING PURPOSES ONLY AND MAY NOT BE REPRODUCED OR USED TO MANUFACTURE, EITHER WHOLLY OR PARTIALLY, WITHOUT WRITTEN PERMISSION FROM ADALET TO THE USER.</p>		<p>DATE: 12/3/08</p> <p>SCALE: 1=4.5</p> <p>DRAWN BY: TT</p> <p>APPROVAL: TT</p> <p>DATE: 12/3/08</p> <p>SCALE: 1=4.5</p> <p>DRAWN BY: TT</p> <p>APPROVAL: TT</p> <p>DATE: 12/3/08</p> <p>SCALE: 1=4.5</p>	
<p>TN4-302416 ENCLOSURE ASSEMBLY</p>				<p>302416 10F1 A</p>			