

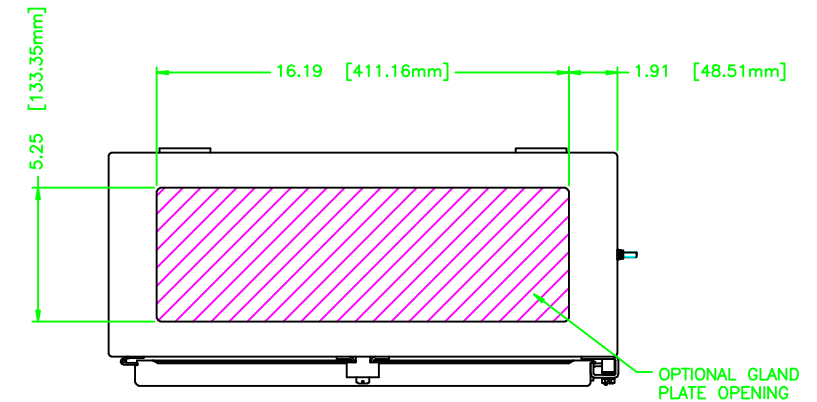
302008

REV	REVISION	BY	BCN	DATE
A	INITIAL RELEASE	TT		12/2/08

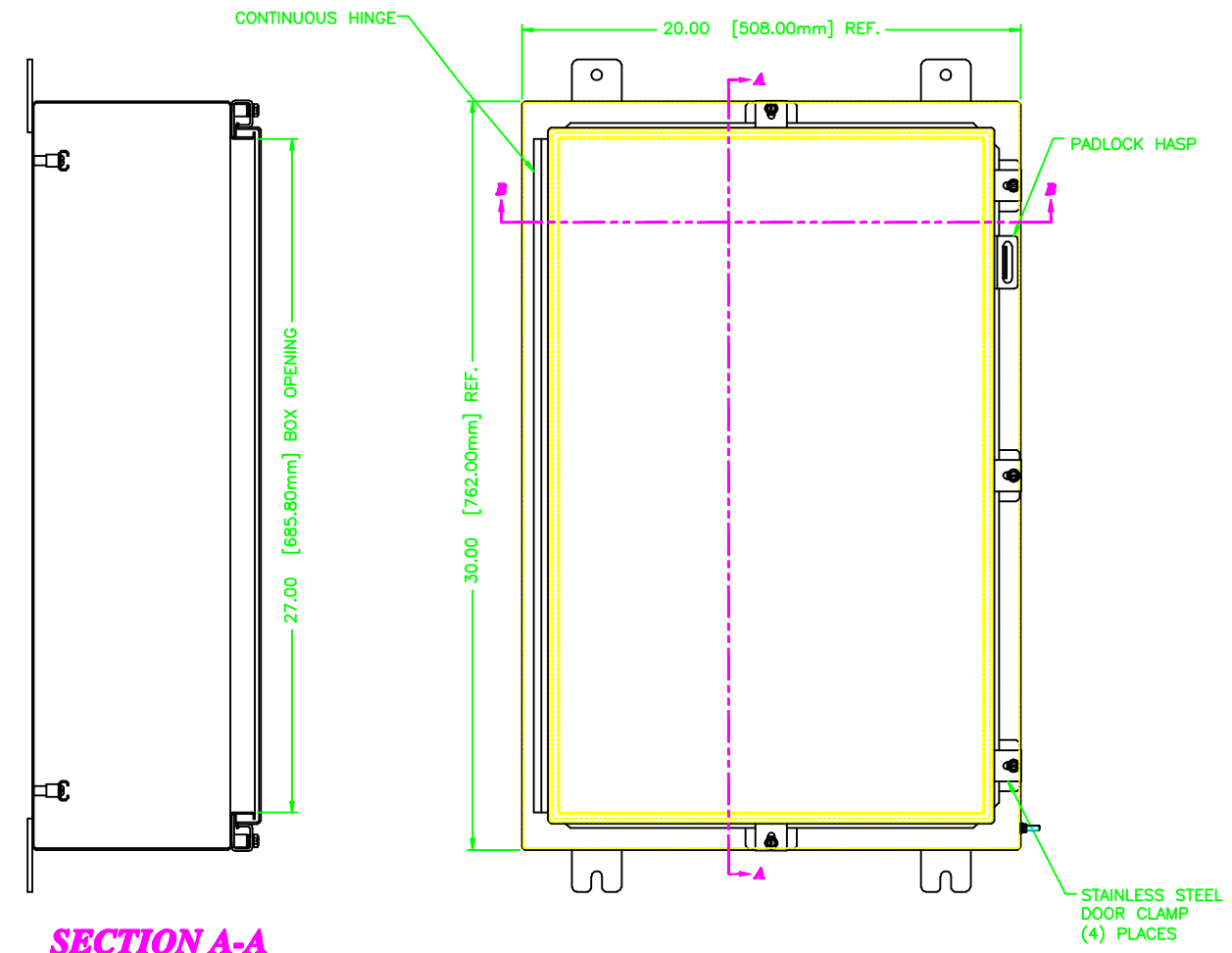
# UNCONTROLLED DRAWING

(DATA SUBJECT TO CHANGE WITHOUT NOTICE)

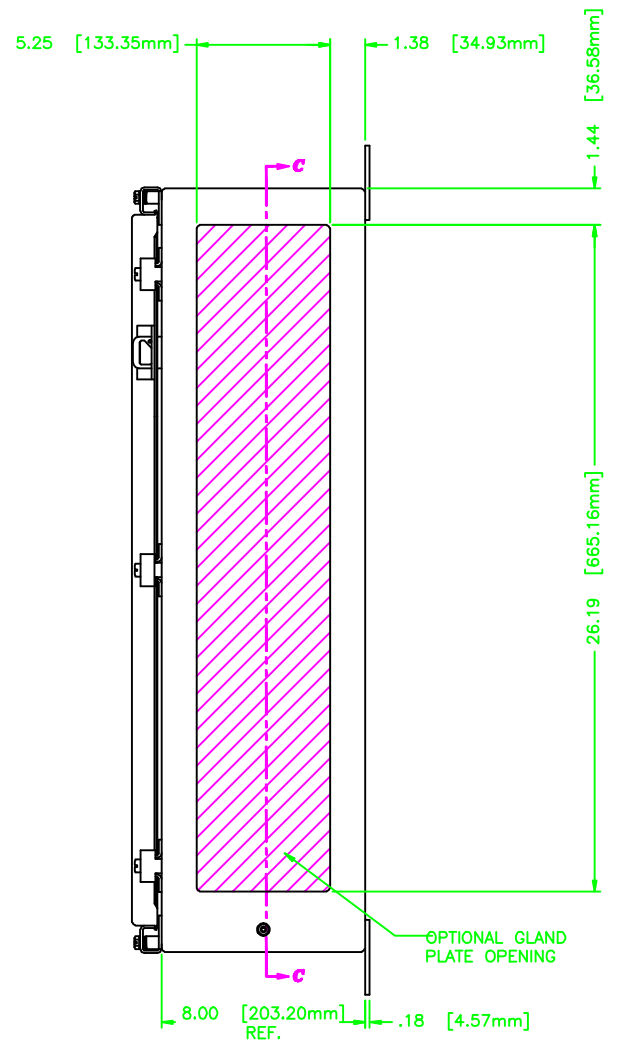
FOR ADDITIONAL HELP CONTACT [ENGINEERING@ADALET.com](mailto:ENGINEERING@ADALET.com)



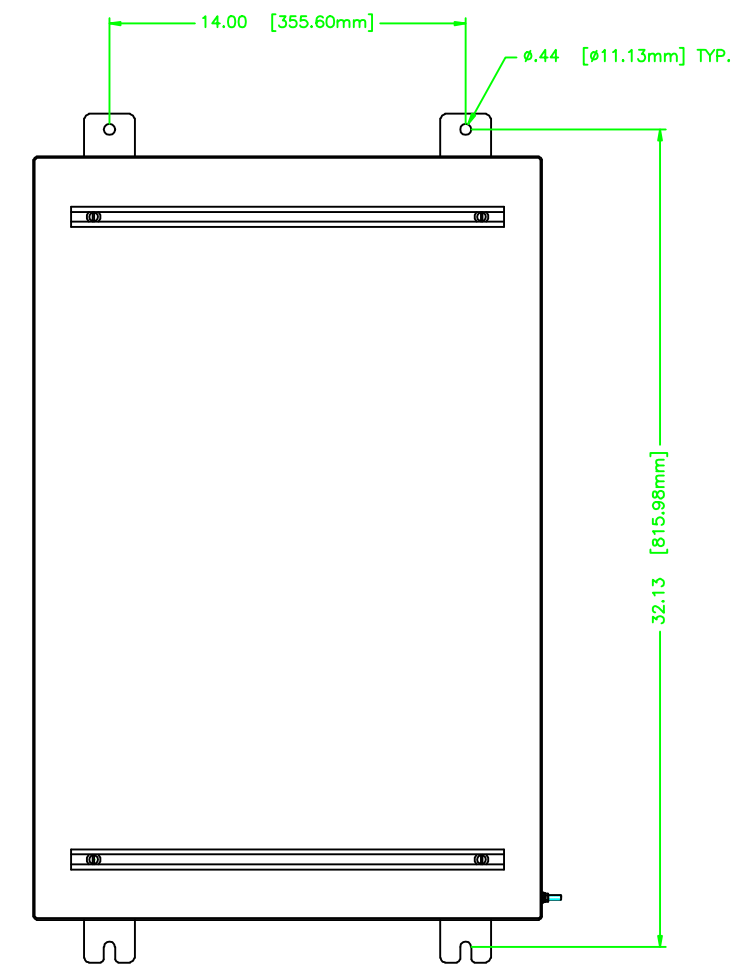
OPTIONAL GLAND PLATE OPENING



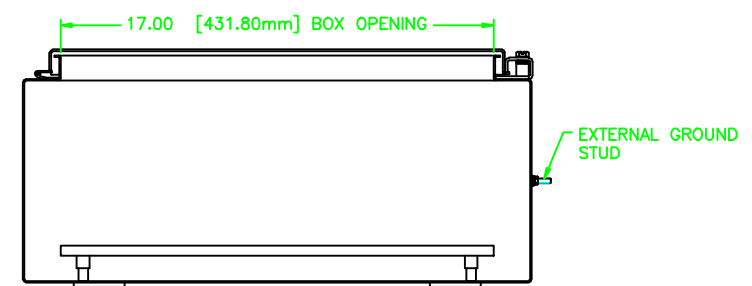
**SECTION A-A**



OPTIONAL GLAND PLATE OPENING



**SECTION C-C**



**SECTION B-B**

ENCLOSURE MATERIAL	CATALOG NUMBER	PART NUMBER
SS316L	TN4XG-302008U	M11112
SS304	TN4X-302008U	M11078

<p><b>DO NOT SCALE DRAWING</b></p> <p>UNLESS OTHERWISE SPECIFIED DIMENSIONS ARE IN INCHES.</p> <p>SHEET METAL TOLERANCES NOT OTHERWISE SPECIFIED:</p> <p>FINC ±1/16"</p> <p>JXX ±.02"</p> <p>JXX ±.010"</p> <p>ANGLES ± 0°-30"</p> <p>INSIDE BEND RADIUS = .040" NOM.</p> <p>WARPAGE = 1/16" PER FOOT</p> <p>ALL WELD SIZES ARE MIN.</p>	<p><b>ADALET</b></p> <p>A SCOTT FETZER COMPANY</p> <p>Enclosure Systems • Cable Accessories</p> <p>Customer Service • 800-441-4444</p>	<p>TN4-302008 ENCLOSURE ASSEMBLY</p>	
		<p>NOTICE TO PERSONS RECEIVING THIS DRAWING:</p> <p>ADALET CLAIMS PROPRIETARY RIGHTS IN THE MATERIALS INCORPORATED HEREIN. THIS DRAWING IS ISSUED IN CONFIDENCE FOR ENGINEERING INFORMATION ONLY AND MAY NOT BE REPRODUCED OR USED TO MANUFACTURE, EITHER WHOLE OR PART, WITHOUT WRITTEN PERMISSION FROM ADALET TO THE USER.</p>	<p>DRAWN BY TT</p> <p>DATE 12/3/08</p>
		<p>DATE</p> <p>REV</p>	<p>APP'D BY</p> <p>SCALE 1=3.5</p>
		<p>PURCH</p> <p>REV</p>	<p>APP'D BY</p> <p>SCALE D</p>
<p>302008</p>		<p>10F1</p>	<p>A</p>