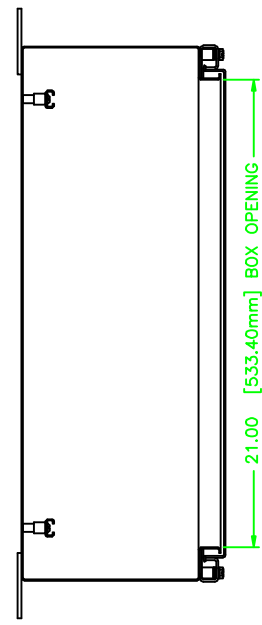
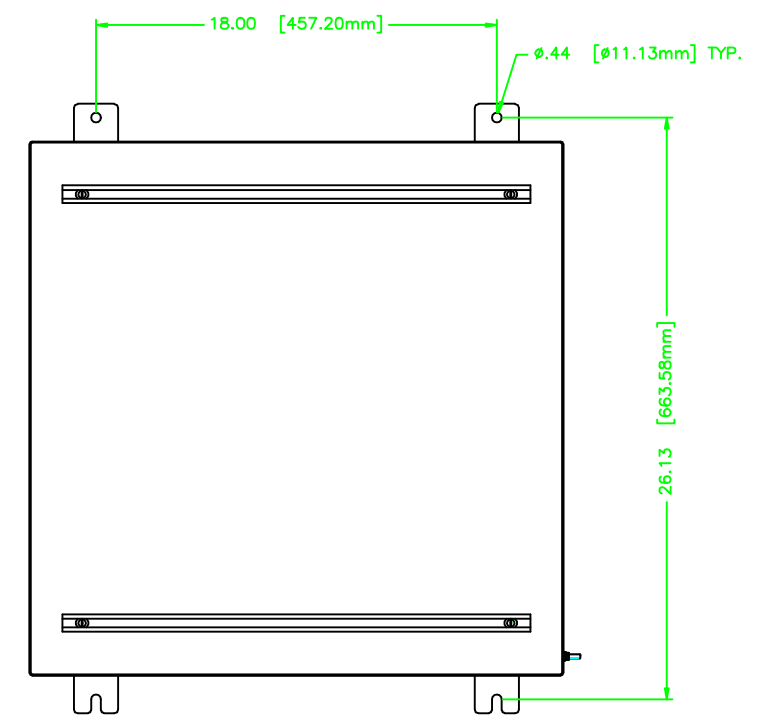
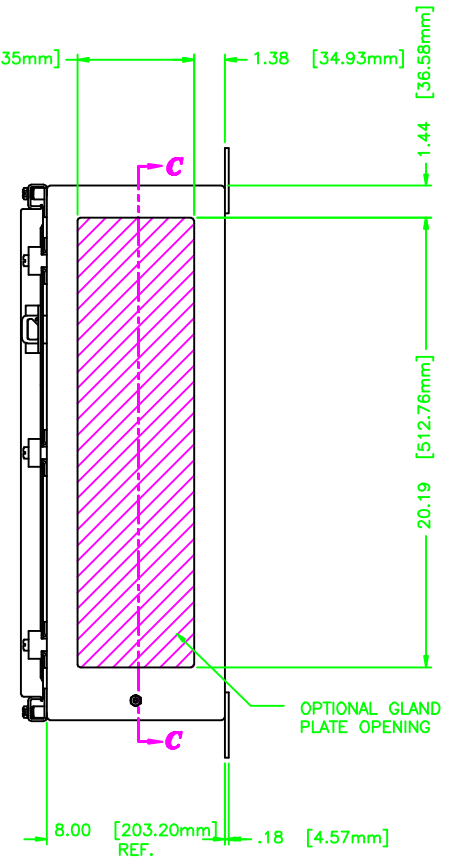
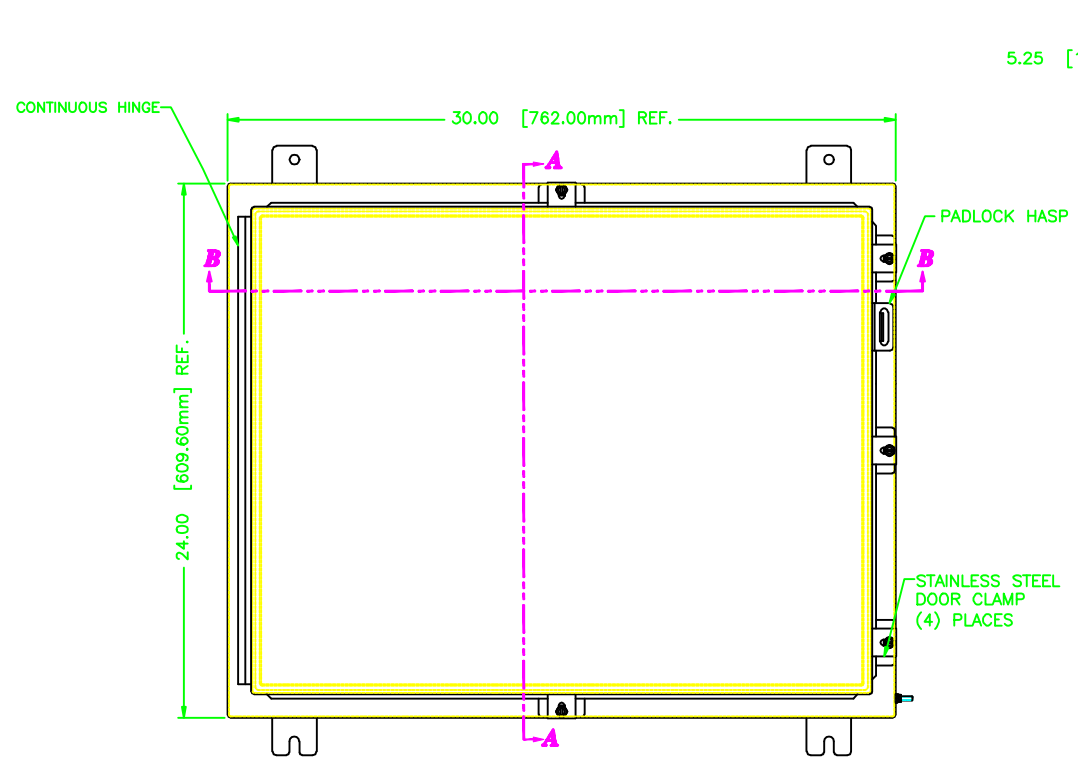
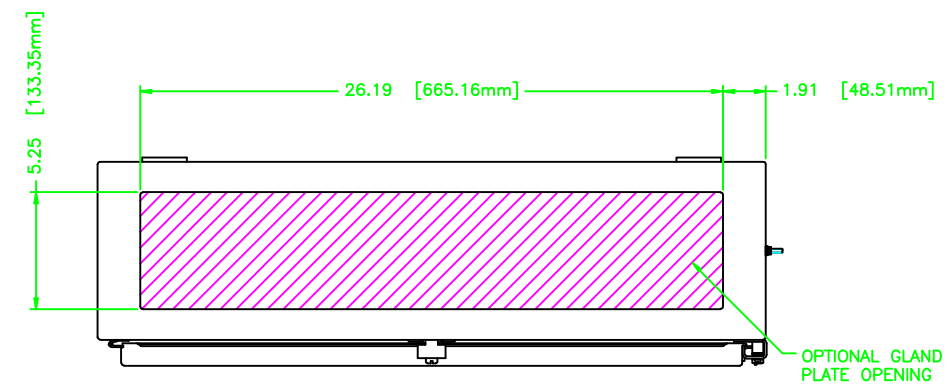


243008

REV	REVISION	BY	BCN	DATE
A	INITIAL RELEASE	TT		12/2/08

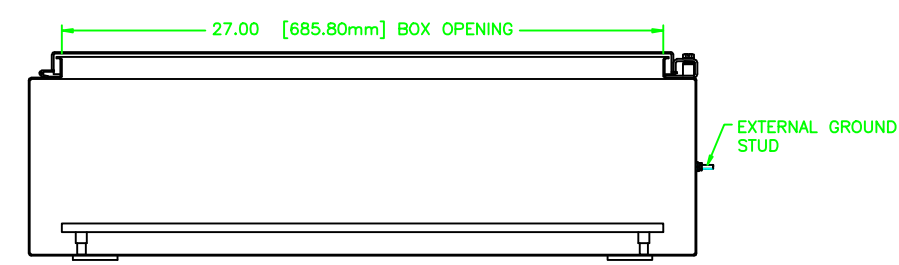
UNCONTROLLED DRAWING

(DATA SUBJECT TO CHANGE WITHOUT NOTICE)
 FOR ADDITIONAL HELP CONTACT ENGINEERING@ADALET.com



SECTION A-A

SECTION C-C



SECTION B-B

ENCLOSURE MATERIAL	CATALOG NUMBER	PART NUMBER
SS316L	TN4X6-243008U	M11177
SS304	TN4X-243008U	M11111

DO NOT SCALE DRAWING UNLESS OTHERWISE SPECIFIED DIMENSIONS ARE IN INCHES. SHEET METAL TOLERANCES NOT OTHERWISE SPECIFIED: FINN ± 1/16" JOG ± .02" JOCK ± .010" ANGLES ± 0°-30" INSIDE BEND RADIUS = .040" NOM. WARPAGE = 1/16" PER FOOT ALL WELD SIZES ARE MIN.		ADALET A SCOTT FETZER COMPANY Enclosure Systems • Cable Accessories General Services • 604	TN4-243008 ENCLOSURE ASSEMBLY DRAWN BY TT DATE 12/3/08 ENG APPROVAL [Signature] DRAW SCALE 1=4 MFG APPROVAL [Signature] DWG SIZE D DWG NO 243008 REV 10F1 A
---	--	--	---