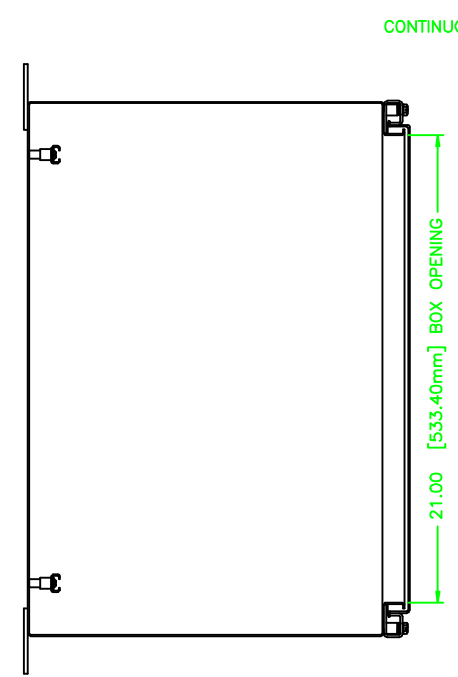
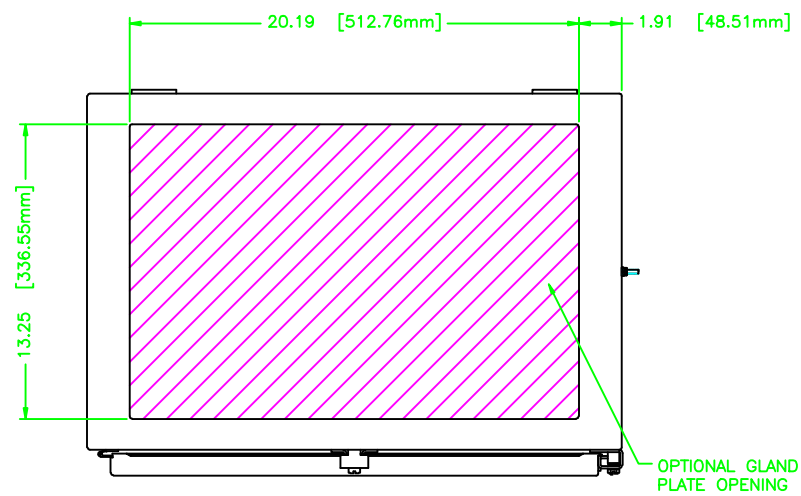


242416

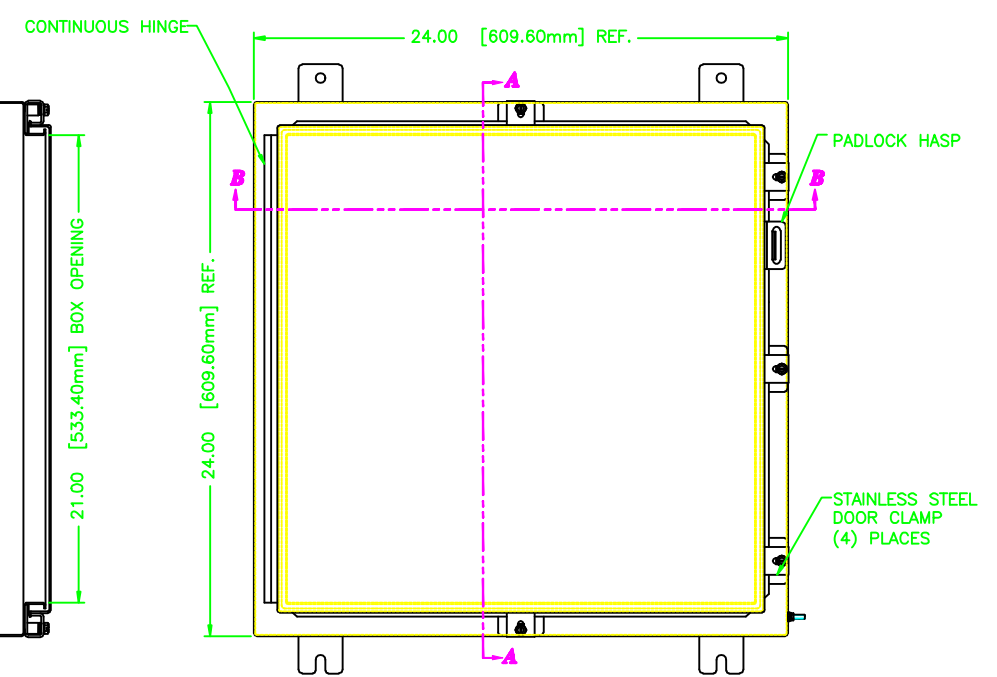
REV	REVISION	BY	ECN	DATE
A	INITIAL RELEASE	TT		12/2/08

# UNCONTROLLED DRAWING

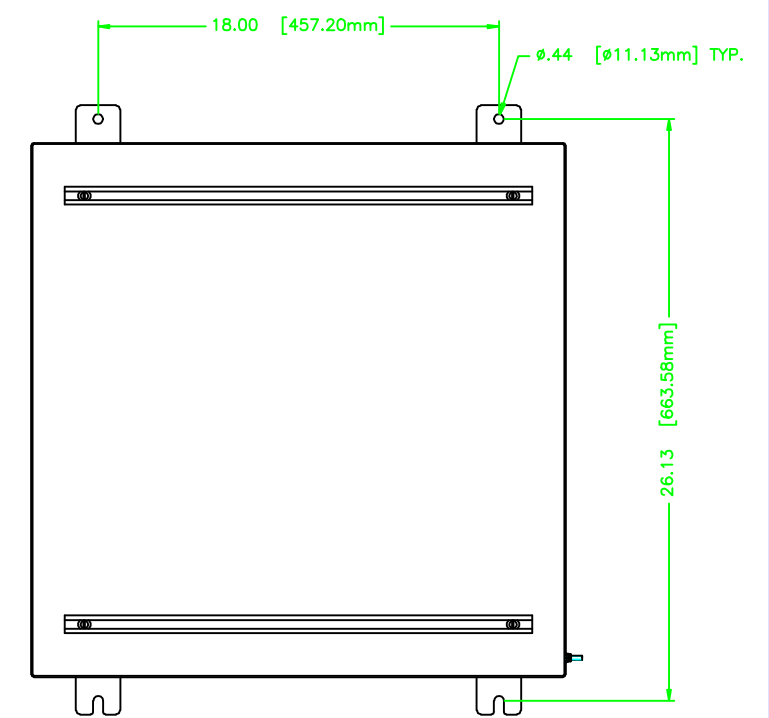
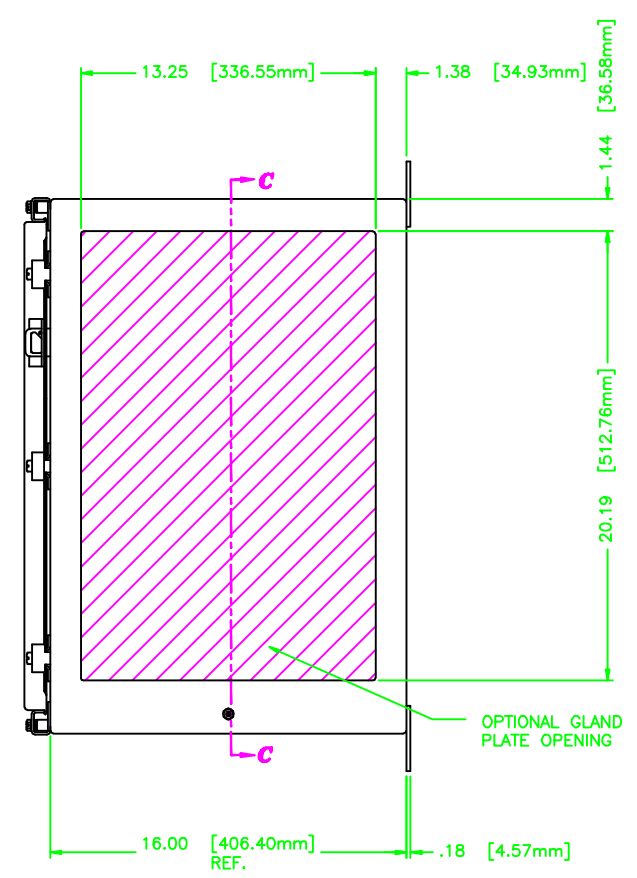
(DATA SUBJECT TO CHANGE WITHOUT NOTICE)  
 FOR ADDITIONAL HELP CONTACT [ENGINEERING@ADALET.com](mailto:ENGINEERING@ADALET.com)



**SECTION A-A**



**SECTION B-B**



**SECTION C-C**

ENCLOSURE MATERIAL	CATALOG NUMBER	PART NUMBER
SS316L	TN4X6-242416U	M11416
SS304	TN4X-242416U	M11143

<b>ADALET</b> A SCOTT FETZER COMPANY Radiology Systems • Cable Assemblies General Instruments • 688		TN4-242416 ENCLOSURE ASSEMBLY	
UNLESS OTHERWISE SPECIFIED DIMENSIONS ARE IN INCHES. SHEET METAL TOLERANCES NOT OTHERWISE SPECIFIED: FINIS: #1/16" JXX ± .02" JXX ± .010" ANGLES ± 0°-30" INSIDE BEND RADIUS = .040" NOM. WARPAGE = 1/16" PER FOOT ALL WELD SIZES ARE MIN.	NOTICE TO PERSONS RECEIVING THIS DRAWING: ADALET CLAIMS PROPRIETARY RIGHTS IN THE MATERIALS INCLUDED HEREIN. THIS DRAWING IS ISSUED IN CONFIDENCE FOR ENGINEERING INFORMATION ONLY AND MAY NOT BE REPRODUCED OR USED TO MANUFACTURE, WITHOUT EXPRESS WRITTEN PERMISSION FROM ADALET TO THE USER.	DRAWN BY: TT DATE: 12/3/08 REV APPROVAL: [Signature] ENG APPROVAL: [Signature] DWG NO: 242416 REV: 10F1 REV DATE: A	MATERIAL: [Blank] FINISH: [Blank] PART NO: [Blank]