

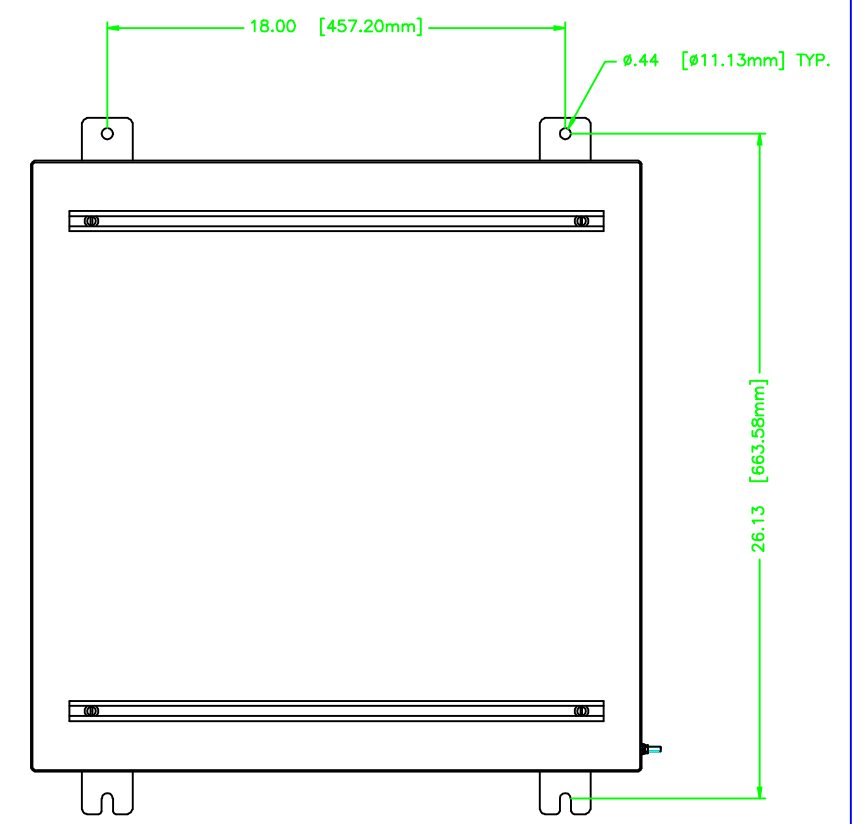
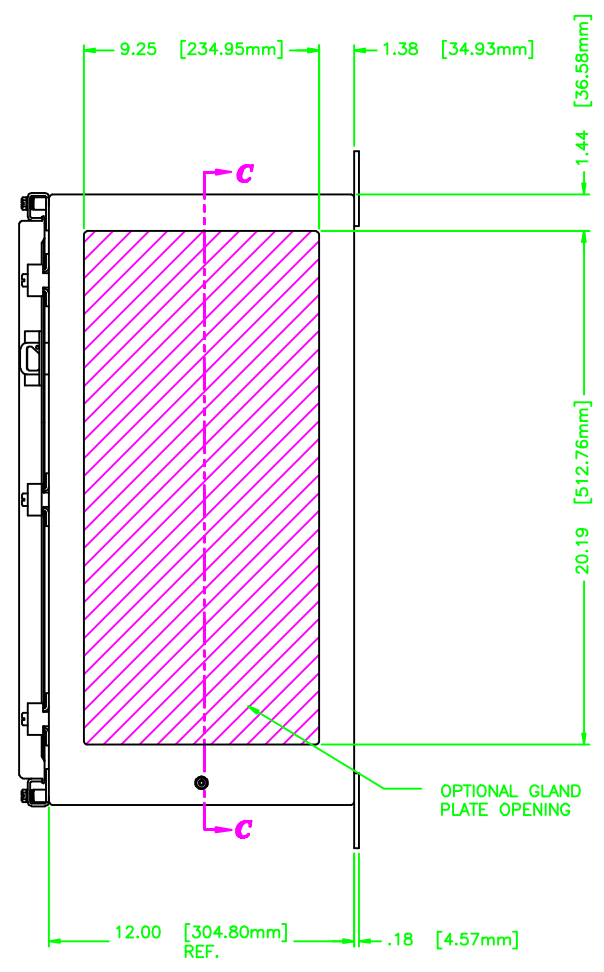
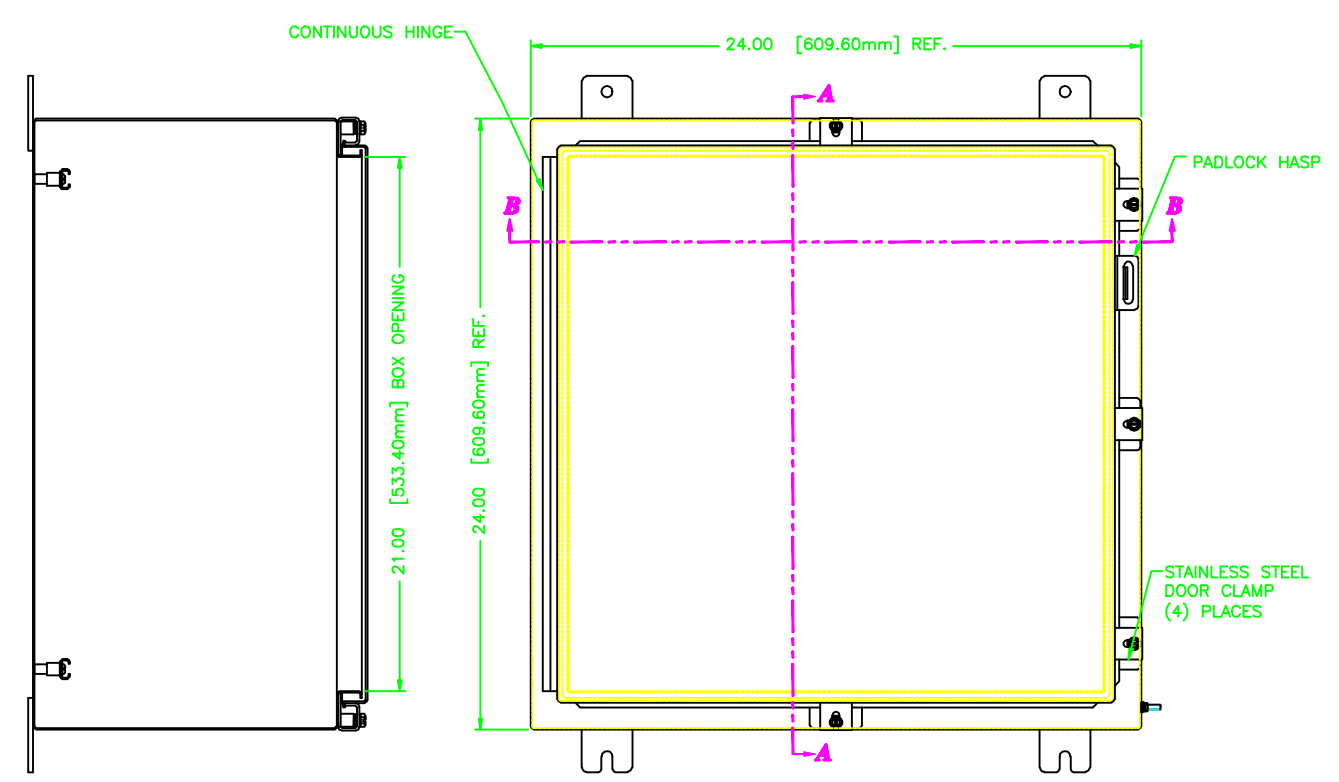
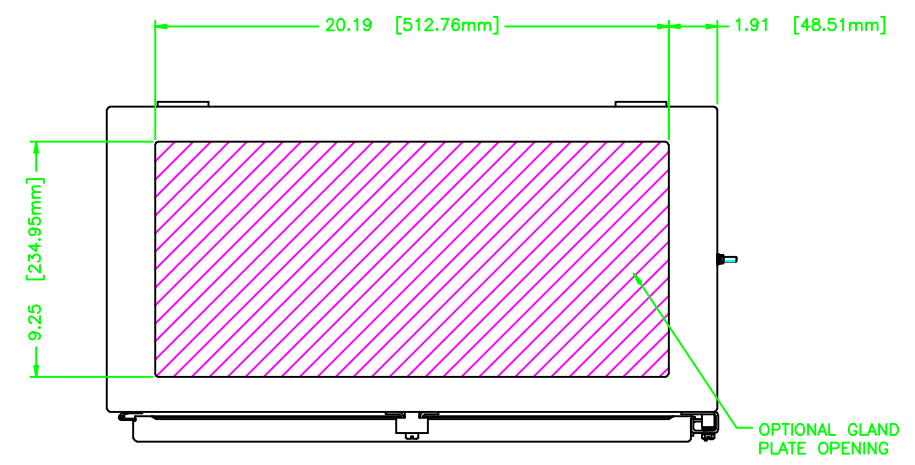
242412

| REV | REVISION | BY | BCN | DATE |
|-----|-----------------|----|-----|---------|
| A | INITIAL RELEASE | TT | | 12/2/08 |

UNCONTROLLED DRAWING

(DATA SUBJECT TO CHANGE WITHOUT NOTICE)

FOR ADDITIONAL HELP CONTACT ENGINEERING@ADALET.com



SECTION A-A

SECTION B-B

SECTION C-C

| ENCLOSURE MATERIAL | CATALOG NUMBER | PART NUMBER |
|--------------------|----------------|-------------|
| SS316L | TN4X6-242412U | M11405 |
| SS304 | TN4X-242412U | M11134 |

| | | | |
|--------------------------------------------------------------------------------------------------------------------------------------------------------------------------------------------------------------------------------------------------------------------------------------------------------------------------------------|--|----------------------------------------------------------------------------------------------------------------------------------------|--------------------------------------------------------------------------------------------------------------------------------------------------|
| <p>DO NOT SCALE DRAWING</p> <p>UNLESS OTHERWISE SPECIFIED DIMENSIONS ARE IN INCHES.</p> <p>SHEET METAL TOLERANCES NOT OTHERWISE SPECIFIED:</p> <p>FINN ± 1/16"</p> <p>XXX ± .02"</p> <p>XXX ± .010"</p> <p>ANGLES ± 0°-30"</p> <p>INSIDE BEND RADIUS = .040" NOM.</p> <p>WARPAGE = 1/16" PER FOOT</p> <p>ALL WELD SIZES ARE MIN.</p> | | <p>ADALET</p> <p>A SCOTT FETZER COMPANY</p> <p>Engineers Systems • Cable Accessories</p> <p>Customer Service • 800-451-4444</p> | <p>TN4-242412 ENCLOSURE ASSEMBLY</p> <p>DRAWN BY TT DATE 12/3/08</p> <p>REV APPROVAL 1=3.5</p> <p>DWG NO 242412</p> <p>REV 10F1</p> <p>REV A</p> |
|--------------------------------------------------------------------------------------------------------------------------------------------------------------------------------------------------------------------------------------------------------------------------------------------------------------------------------------|--|----------------------------------------------------------------------------------------------------------------------------------------|--------------------------------------------------------------------------------------------------------------------------------------------------|