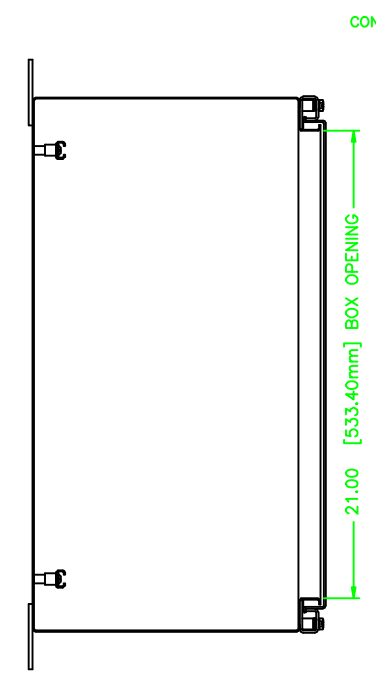
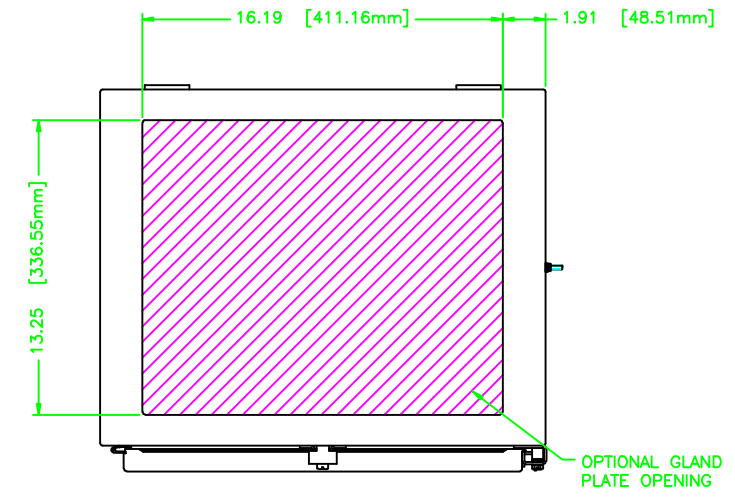


REV	REVISION	BY	BCN	DATE
A	INITIAL RELEASE	TT		12/2/08

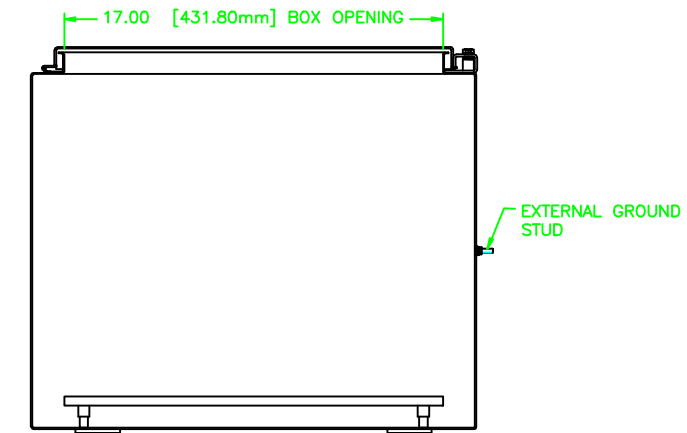
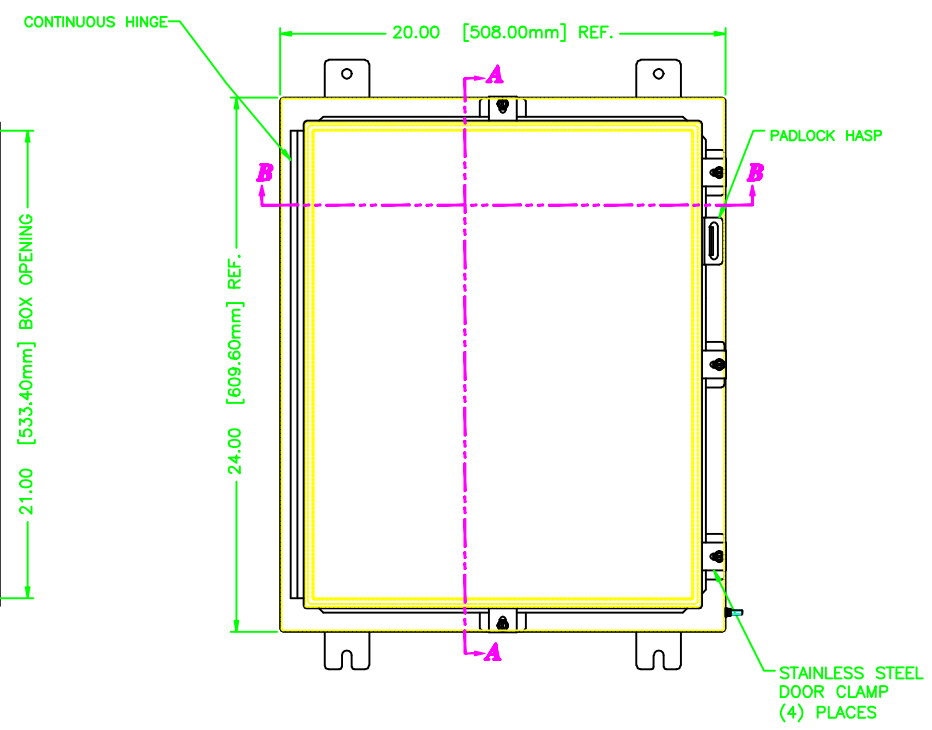
242016

UNCONTROLLED DRAWING

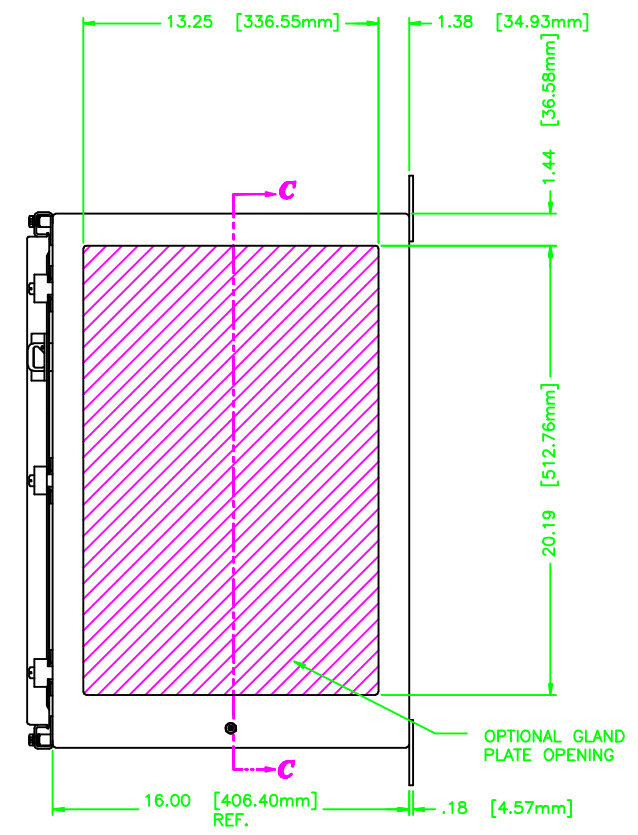
(DATA SUBJECT TO CHANGE WITHOUT NOTICE)
FOR ADDITIONAL HELP CONTACT ENGINEERING@ADALET.com



SECTION A-A



SECTION B-B



SECTION C-C

ENCLOSURE MATERIAL	CATALOG NUMBER	PART NUMBER
SS316L	TN4X6-242016U	M11415
SS304	TN4X-242016U	M11142

<small>DO NOT SCALE DRAWING</small> <small>UNLESS OTHERWISE SPECIFIED DIMENSIONS ARE IN INCHES.</small> <small>SHEET METAL TOLERANCES NOT OTHERWISE SPECIFIED:</small> FINC ±1/16" JIC ±.02" JCC ±.010" ANGLES ± 0°-30" INSIDE BEND RADIUS = .040" NOM. WARPAGE = 1/16" PER FOOT ALL WELD SIZES ARE MIN.	 <small>ADALET - A SCOTT FETZER COMPANY</small> <small>Enclosure Systems • Cable Accessories</small>	TN4-242016 ENCLOSURE ASSEMBLY	
		<small>NOTICE TO PERSONS RECEIVING THIS DRAWING:</small> ADALET CLAIMS PROPRIETARY RIGHTS IN THE MATERIALS AND METHODS DESCRIBED HEREIN. THIS DRAWING IS ISSUED IN CONFIDENCE FOR ENGINEERING INFORMATION ONLY AND MAY NOT BE REPRODUCED OR USED TO MANUFACTURE, WITHOUT WRITTEN PERMISSION FROM ADALET TO THE USER.	<small>DRAWN BY</small> TT <small>DATE</small> 12/3/08 <small>APPROVED BY</small> _____ <small>SCALE</small> 1=3.5 <small>DATE</small> _____ <small>REV</small> _____
		<small>PURCHASER</small> _____ <small>DATE</small> _____ <small>REV</small> _____	<small>DATE</small> _____ <small>REV</small> _____
		242016 10F1 A	