

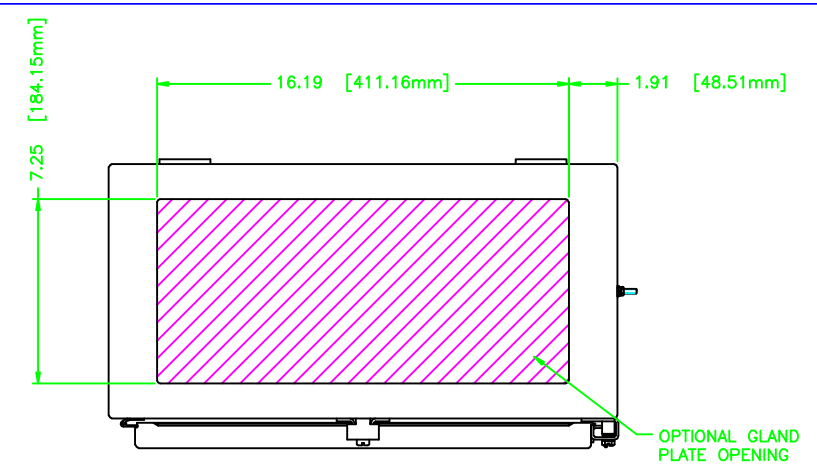
242010

REV	REVISION	BY	RCN	DATE
A	INITIAL RELEASE	TT		12/2/08

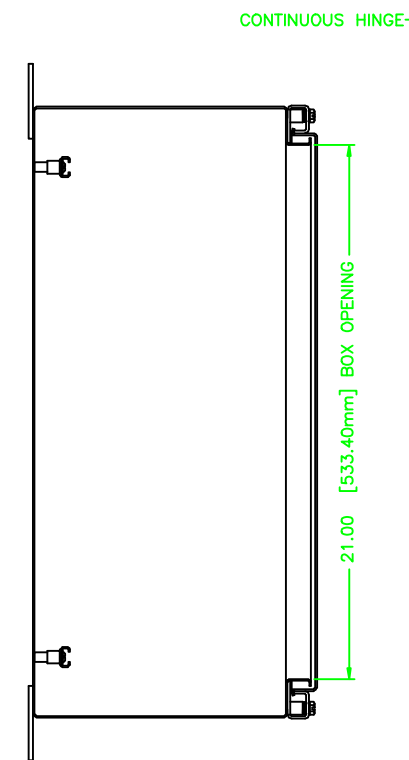
# UNCONTROLLED DRAWING

(DATA SUBJECT TO CHANGE WITHOUT NOTICE)

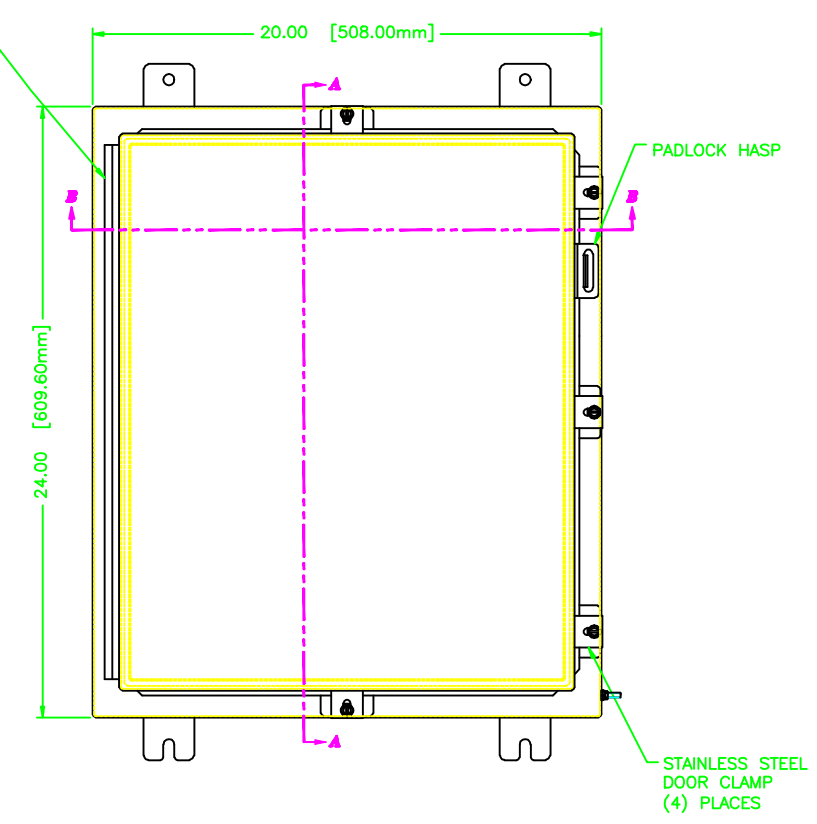
FOR ADDITIONAL HELP CONTACT [ENGINEERING@ADALET.com](mailto:ENGINEERING@ADALET.com)



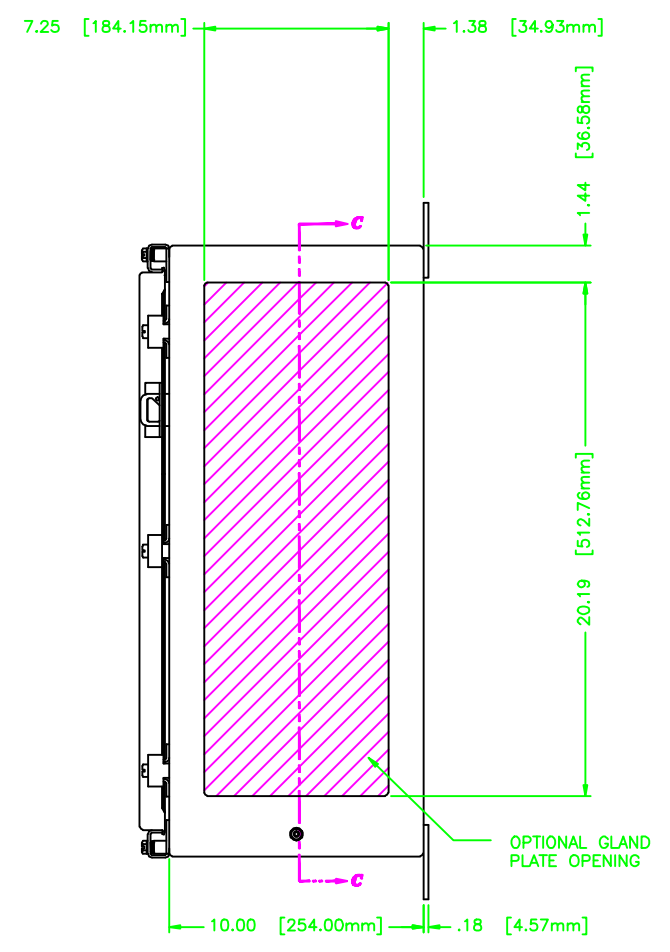
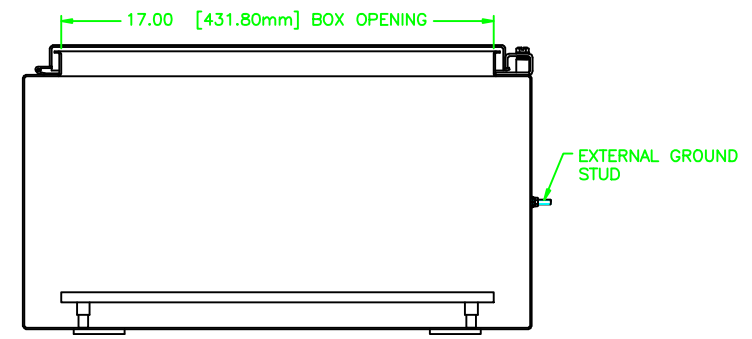
OPTIONAL GLAND PLATE OPENING



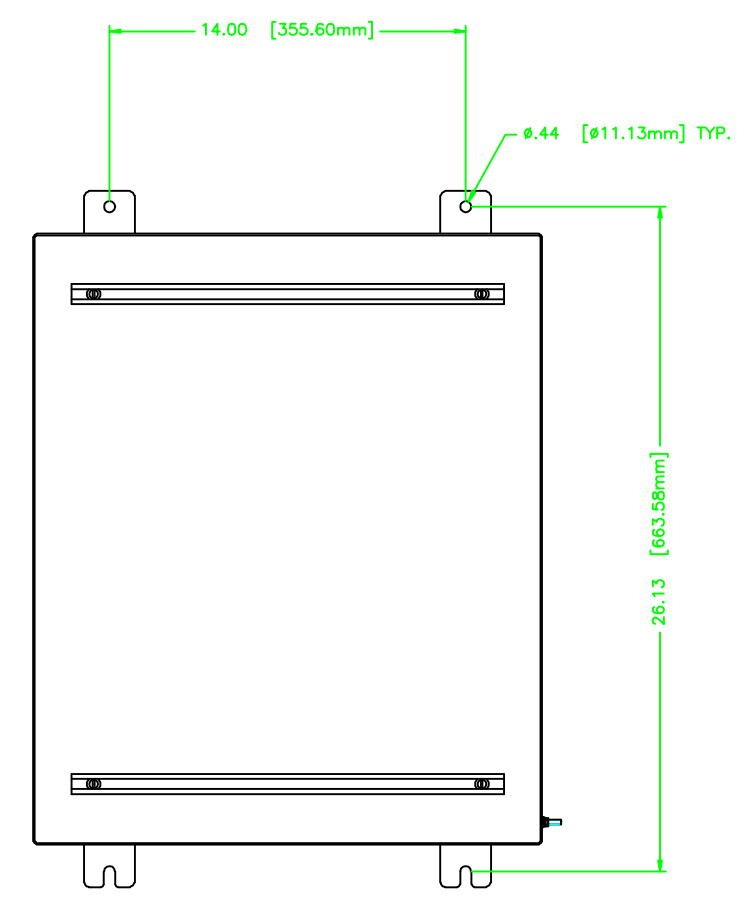
**SECTION A-A**



**SECTION B-B**



OPTIONAL GLAND PLATE OPENING



**SECTION C-C**

ENCLOSURE MATERIAL	CATALOG NUMBER	PART NUMBER
SS316L	TN4X6-242010U	M11189
SS304	TN4X-242010U	M11123

<p>DO NOT SCALE DRAWING</p> <p>UNLESS OTHERWISE SPECIFIED DIMENSIONS ARE IN INCHES.</p> <p>SHEET METAL TOLERANCES NOT OTHERWISE SPECIFIED:</p> <p>FINN ±.1/16"</p> <p>JXX ±.02"</p> <p>JXX ±.010"</p> <p>ANGLES ± 0°-30"</p> <p>INSIDE BEND RADIUS = .040" NOM.</p> <p>WARPAGE = 1/16" PER FOOT</p> <p>ALL WELD SIZES ARE MIN.</p>	<p><b>ADALET</b></p> <p>A SCOTT FETZER COMPANY</p> <p>Engineers • Scientists • Technicians</p> <p>10000 W. 10th Ave. Suite 1000</p> <p>Golden, CO 80401</p> <p>PH: 303.440.0000</p> <p>FX: 303.440.0001</p> <p>WWW.ADALET.COM</p>	<p>NOTICE TO PERSONS RECEIVING THIS DRAWING:</p> <p>ADALET CLAIMS PROPRIETARY RIGHTS IN THE MATERIALS, METHODS, AND EQUIPMENT USED IN THE DESIGN AND CONSTRUCTION OF THIS DRAWING. THIS DRAWING IS NOT TO BE REPRODUCED OR USED IN ANY MANNER WITHOUT EXPRESS WRITTEN PERMISSION FROM ADALET TO THE USER.</p> <p>DATE: 12/3/08</p> <p>SCALE: 1=3.5</p> <p>DWG NO: 242010</p> <p>REV: 10F1</p> <p>APP: A</p>
--	---	---