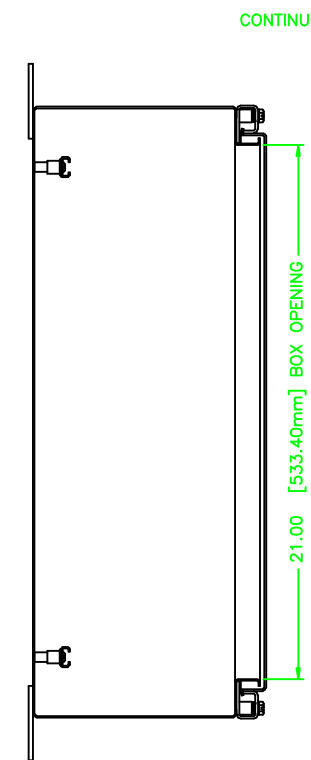
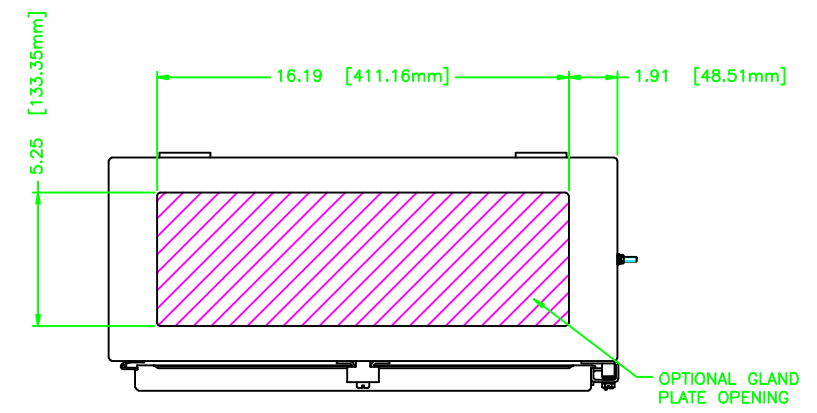


REV	REVISION	BY	RCN	DATE
A	INITIAL RELEASE	TT		12/2/08

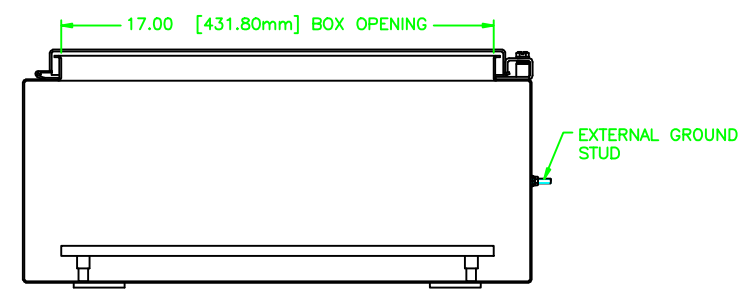
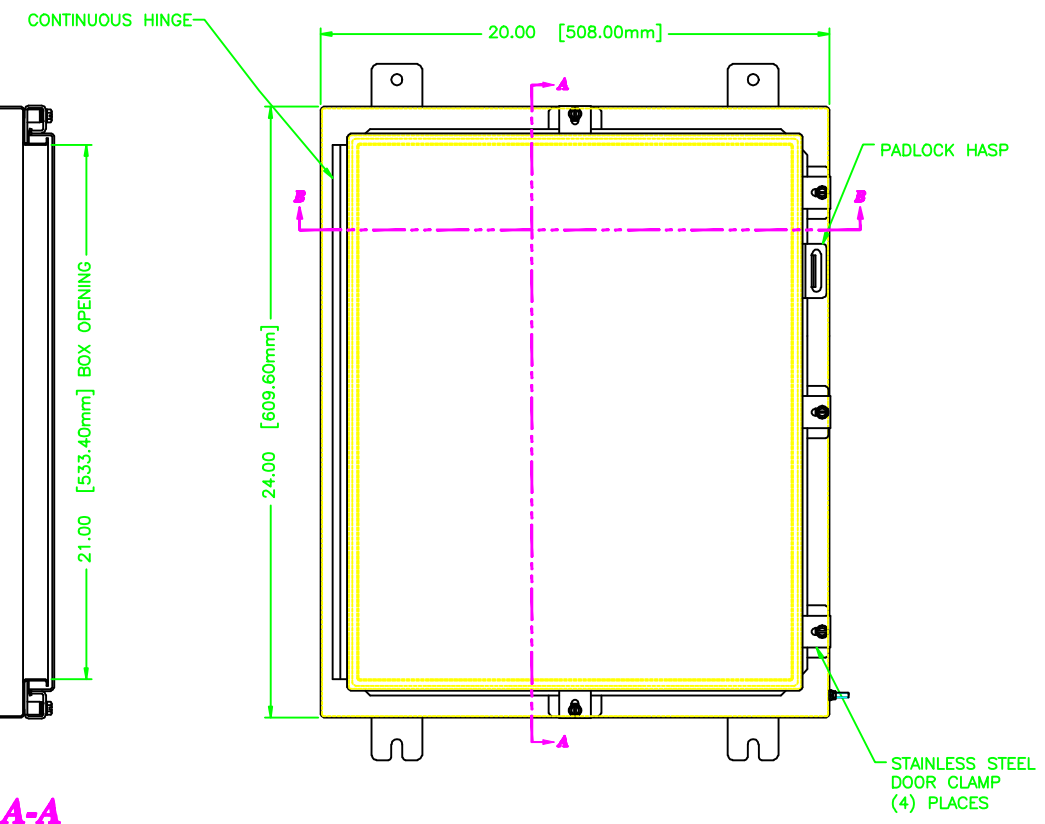
242008

UNCONTROLLED DRAWING

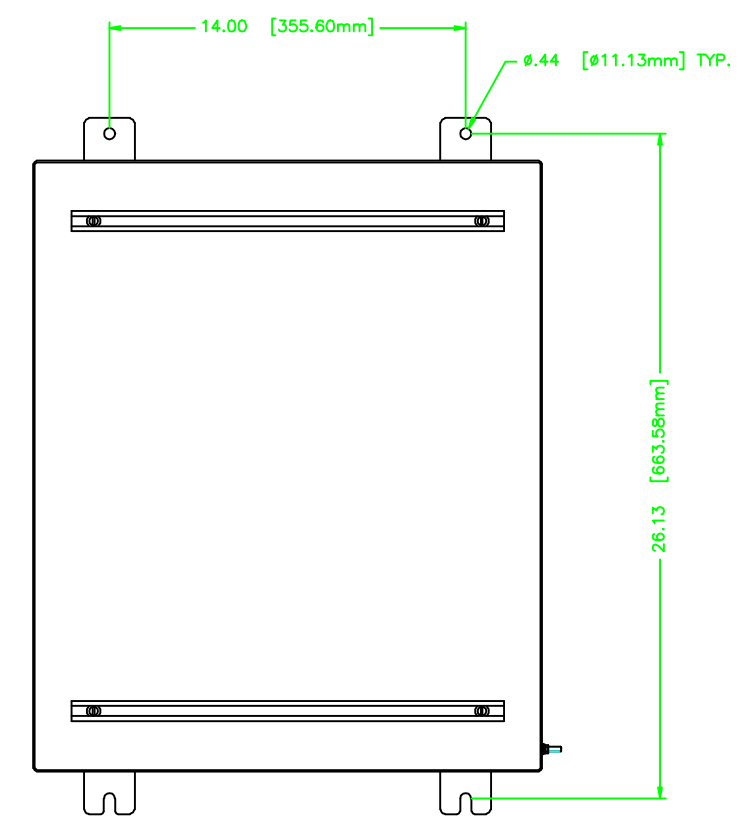
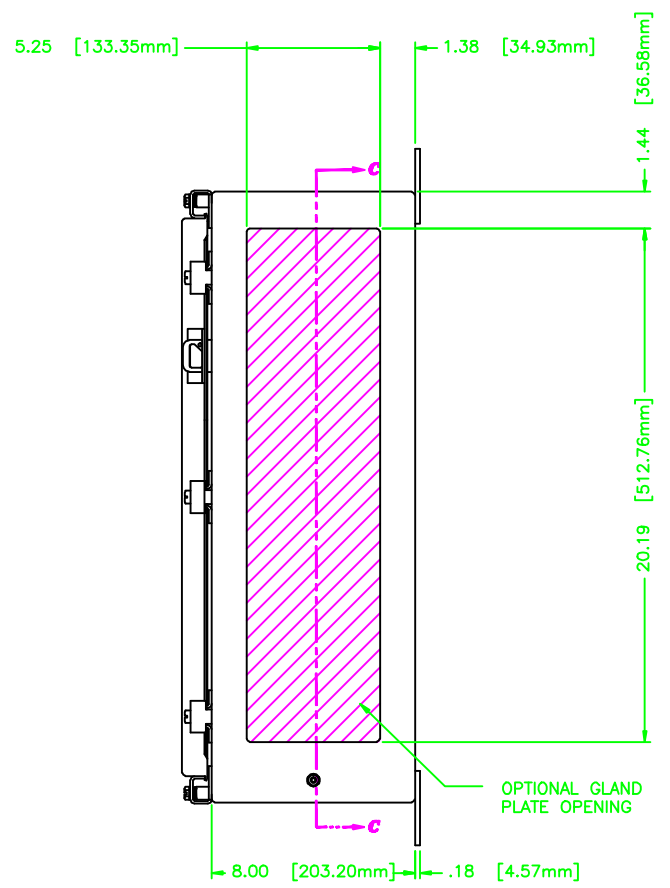
(DATA SUBJECT TO CHANGE WITHOUT NOTICE)
FOR ADDITIONAL HELP CONTACT ENGINEERING@ADALET.com



SECTION A-A



SECTION B-B



SECTION C-C

ENCLOSURE MATERIAL	CATALOG NUMBER	PART NUMBER
SS316L	TN4X6-242008U	M11175
SS304	TN4X-242008U	M11109

DO NOT SCALE DRAWING UNLESS OTHERWISE SPECIFIED DIMENSIONS ARE IN INCHES. SHEET METAL TOLERANCES NOT OTHERWISE SPECIFIED: FINISH: 316/16" JOCK ± .02" JOCK ± .010" ANGLES ± 0°-30" INSIDE BEND RADIUS = .040" NOM. WARPAGE = 1/16" PER FOOT ALL WELD SIZES ARE MIN.	ADALET <small>A SCOTT FETZER COMPANY</small> Enclosure Systems • Cable Accessories 6811	NOTICE TO PERSONS RECEIVING THIS DRAWING: UNLESS OTHERWISE SPECIFIED, THIS DRAWING IS ISSUED IN CONFIDENTIAL FOR ENGINEERING INFORMATION ONLY AND MAY NOT BE REPRODUCED OR USED TO MANUFACTURE, WITHOUT EXPRESS WRITTEN PERMISSION FROM ADALET IS THE USER.	TN4-242008 ENCLOSURE ASSEMBLY DRAWN BY: TT DATE: 12/3/08 REV APPROVAL: 1=3.5 DWG NO: 242008 REV: 10F1 REV: A
--	---	--	---