

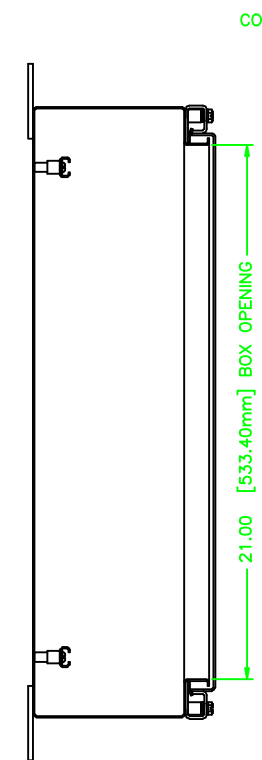
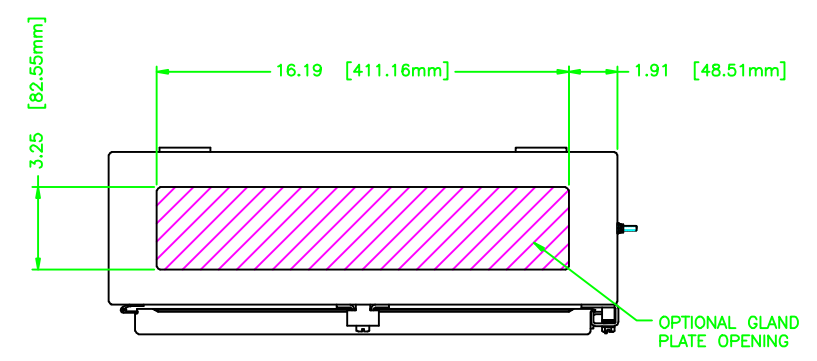
242006

REV	REVISION	BY	ECN	DATE
A	INITIAL RELEASE	TT		12/2/08

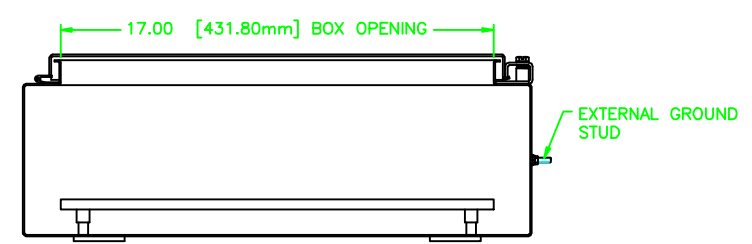
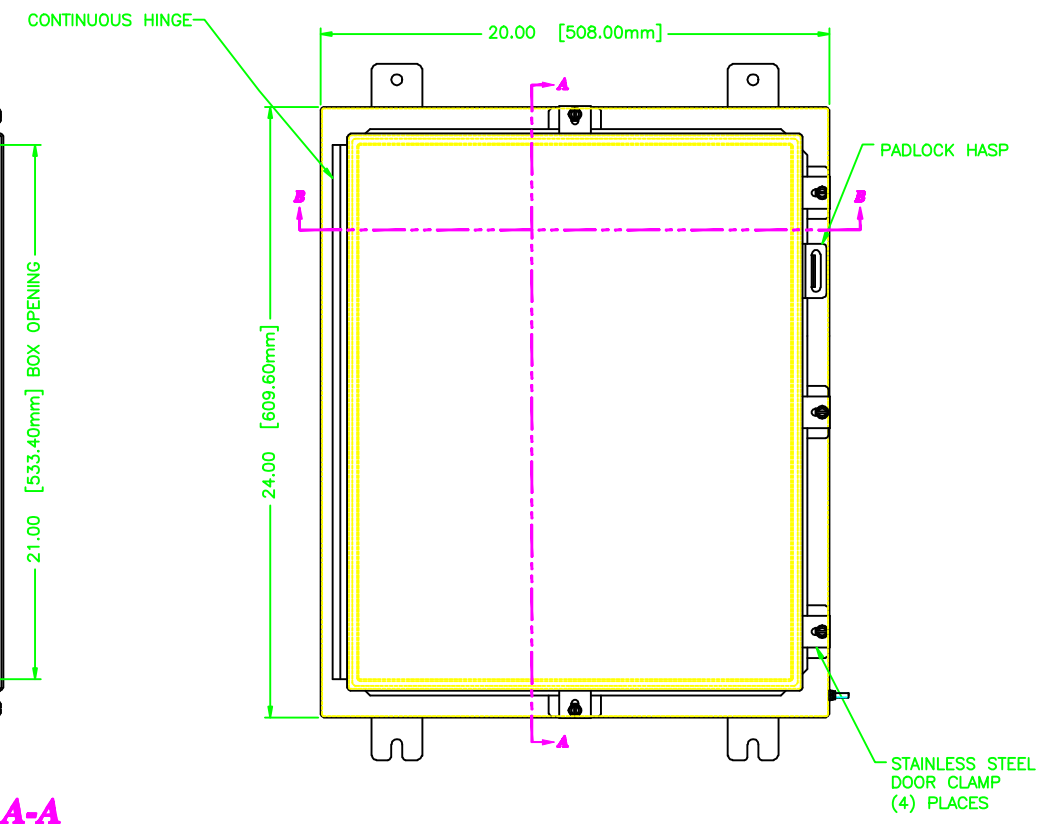
# UNCONTROLLED DRAWING

(DATA SUBJECT TO CHANGE WITHOUT NOTICE)

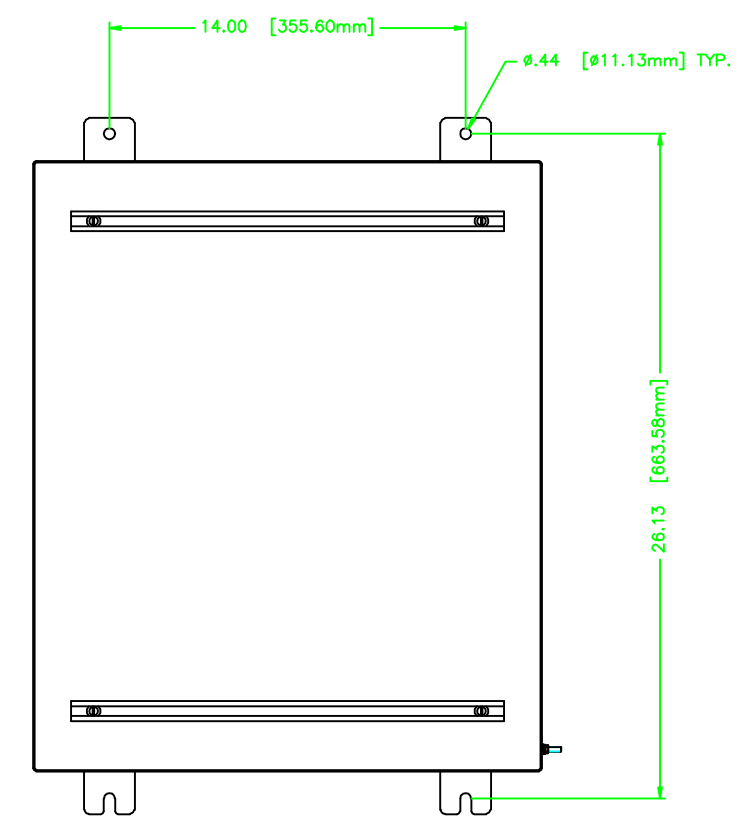
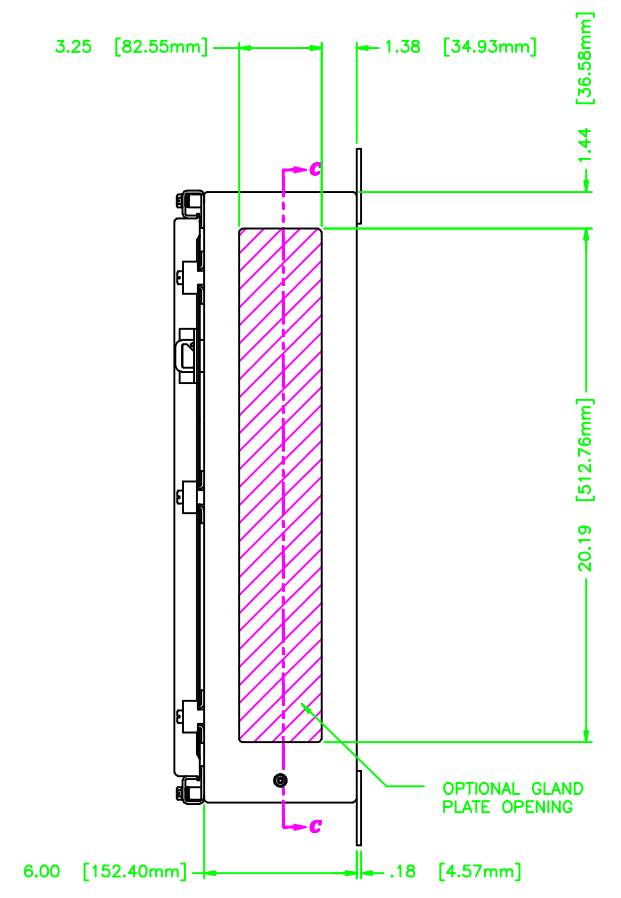
FOR ADDITIONAL HELP CONTACT [ENGINEERING@ADALET.com](mailto:ENGINEERING@ADALET.com)



**SECTION A-A**



**SECTION B-B**



**SECTION C-C**

ENCLOSURE MATERIAL	CATALOG NUMBER	PART NUMBER
SS316L	TN4X6-242008U	M11182
SS304	TN4X-242006U	M11095

<p><b>ADALET</b> A SCOTT FETZER COMPANY Radiation Systems • Cable Accessories General Services • 688</p>		<p>TN4-242006 ENCLOSURE ASSEMBLY</p>	
<p>UNLESS OTHERWISE SPECIFIED DIMENSIONS ARE IN INCHES. SHEET METAL TOLERANCES NOT OTHERWISE SPECIFIED: FINISH: FRAC ±1/16" JXX ±.02" JXX ±.010" ANGLES ± 0°-30" INSIDE BEND RADIUS = .040" NOM. WARPAGE = 1/16" PER FOOT ALL WELD SIZES ARE MIN.</p>	<p>NOTICE TO PERSONS RECEIVING THIS DRAWING: ADALET CLAIMS PROPRIETARY RIGHTS IN THE MATERIALS INCLUDED HEREIN. THIS DRAWING IS ISSUED BY CONTRACT FOR ENGINEERING INFORMATION ONLY AND MAY NOT BE REPRODUCED OR USED TO MANUFACTURE, EITHER WHOLE OR PART, WITHOUT WRITTEN PERMISSION FROM ADALET TO THE USER.</p>	<p>DRAWN BY: TT DATE: 12/3/08 APPROVAL: TT SCALE: 1=3.5 REV: D</p>	<p>REV: TT DATE: 12/2/08</p>
<p>FIGURE NO. 242006 REV. NO.</p>		<p>FIG. NO. 10F1 REV. A</p>	