

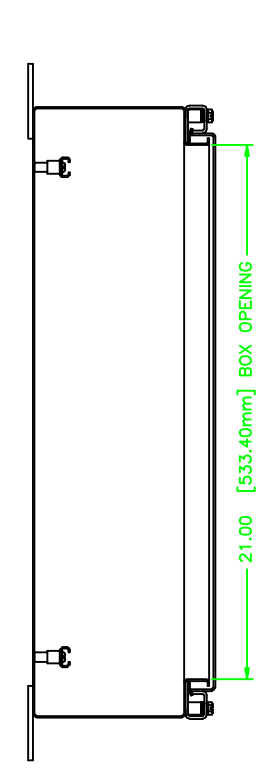
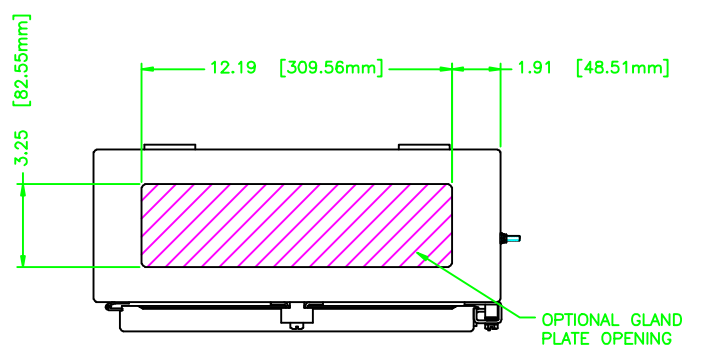
241606

REV	REVISION	BY	ECN	DATE
A	INITIAL RELEASE	TT		12/2/08

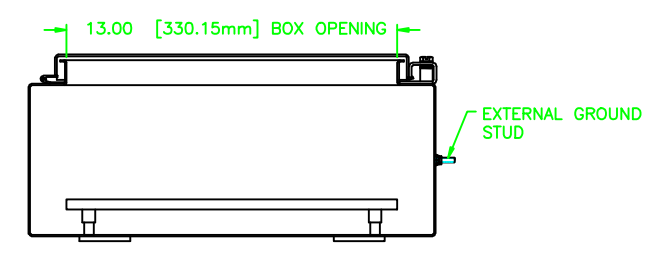
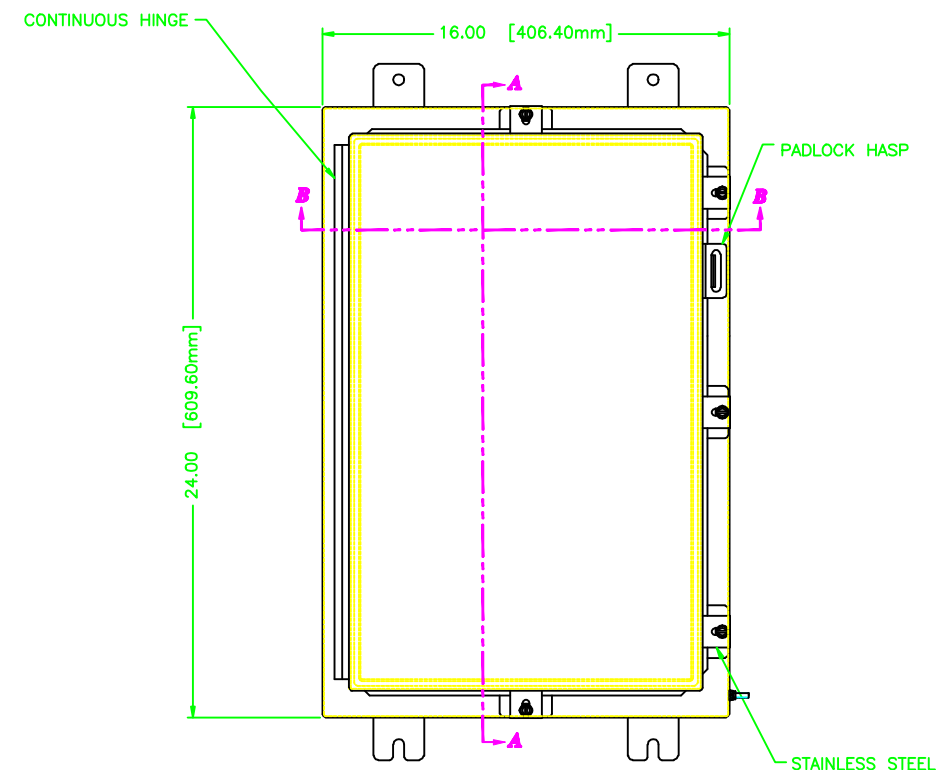
# UNCONTROLLED DRAWING

(DATA SUBJECT TO CHANGE WITHOUT NOTICE)

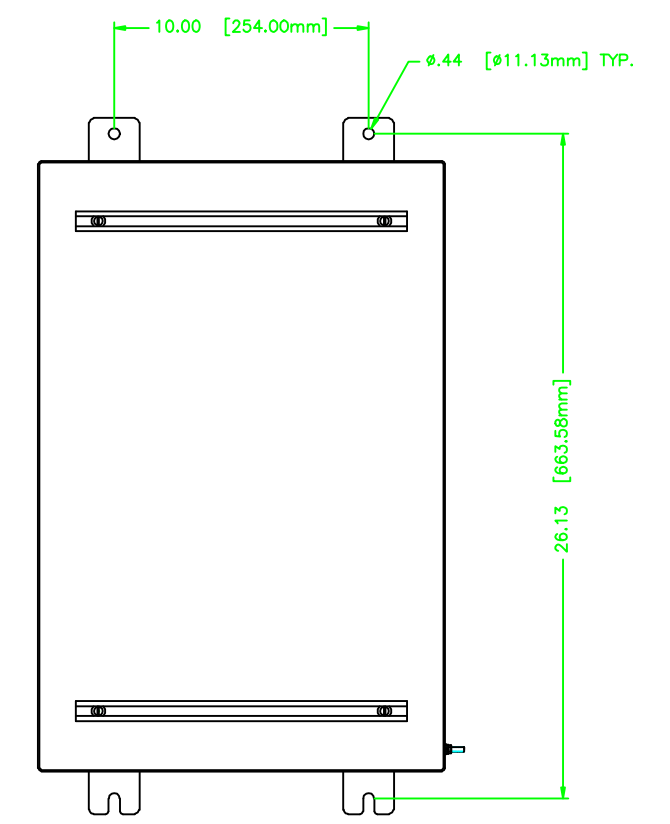
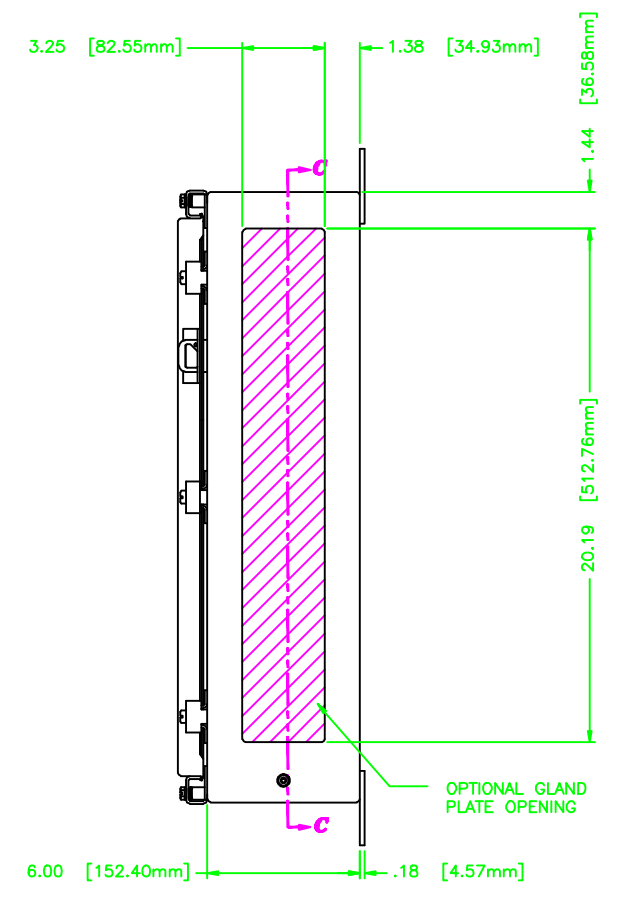
FOR ADDITIONAL HELP CONTACT [ENGINEERING@ADALET.com](mailto:ENGINEERING@ADALET.com)



**SECTION A-A**



**SECTION B-B**



**SECTION C-C**

ENCLOSURE MATERIAL	CATALOG NUMBER	PART NUMBER
SS316L	TN4X6-241606U	M11158
SS304	TN4X-241606U	M11091

<p>DO NOT SCALE DRAWING</p> <p>UNLESS OTHERWISE SPECIFIED DIMENSIONS ARE IN INCHES.</p> <p>SHEET METAL TOLERANCES NOT OTHERWISE SPECIFIED:</p> <p>FINISH ±.010"</p> <p>XXX ±.020"</p> <p>XXX ±.010"</p> <p>ANGLES ± 0°-30"</p> <p>INSIDE BEND RADIUS = .040" NOM.</p> <p>WARPAGE = 1/16" PER FOOT</p> <p>ALL WELD SIZES ARE MIN.</p>	<p><b>ADALET</b></p> <p>A SCOTT FETZER COMPANY</p> <p>Enclosure Systems • Cable Accessories</p> <p>6000</p> <p>NOTICE TO PERSONS RECEIVING THIS DRAWING: ADALET CLAIMS PROPRIETARY RIGHTS IN THE MATERIALS, METHODS, AND THE DRAWING IS ISSUED BY CONTRACT FOR ENGINEERING INFORMATION ONLY AND MAY NOT BE REPRODUCED OR USED TO MANUFACTURE, WITHOUT WRITTEN PERMISSION FROM ADALET TO THE USER.</p> <p>MATERIAL:</p> <p>FINISH:</p> <p>WELD:</p>	<p>TN4-241606 ENCLOSURE ASSEMBLY</p> <p>DRAWN BY TT DATE 12/3/08</p> <p>REV APPROVAL: TT SCALE 1=3.5</p> <p>ENG APPROVAL: DATE: DESIG: D</p> <p>DWG NO 241606 SHEET 10F1 REV A</p>
--	--	--