

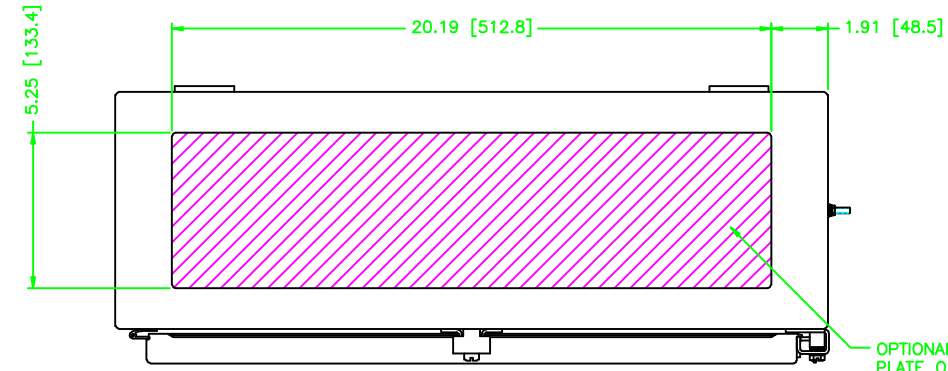
202408

| REV | REVISION | BY | BCN | DATE |
|-----|-----------------|----|-----|---------|
| A | INITIAL RELEASE | TT | | 12/2/08 |

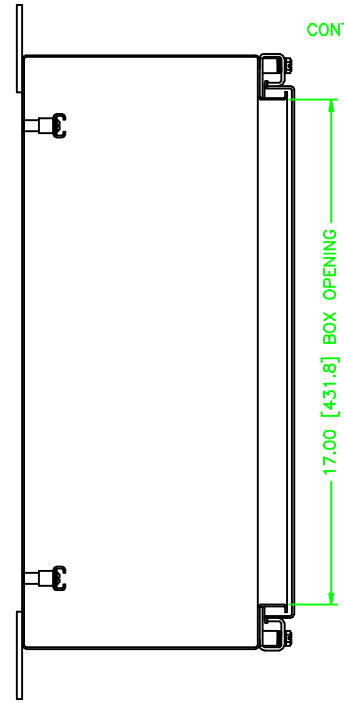
UNCONTROLLED DRAWING

(DATA SUBJECT TO CHANGE WITHOUT NOTICE)

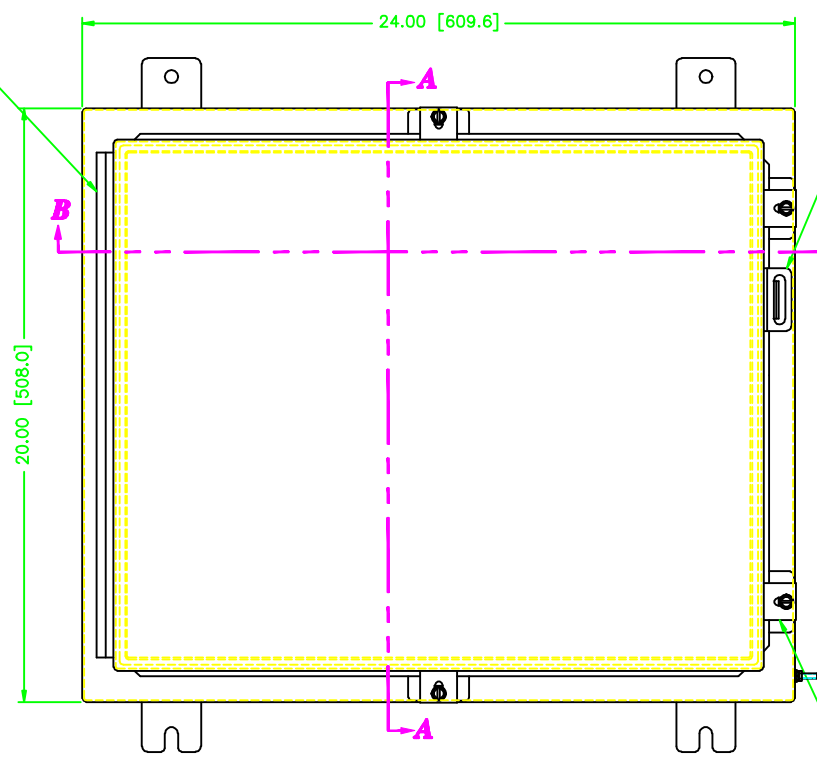
FOR ADDITIONAL HELP CONTACT ENGINEERING@ADALET.com



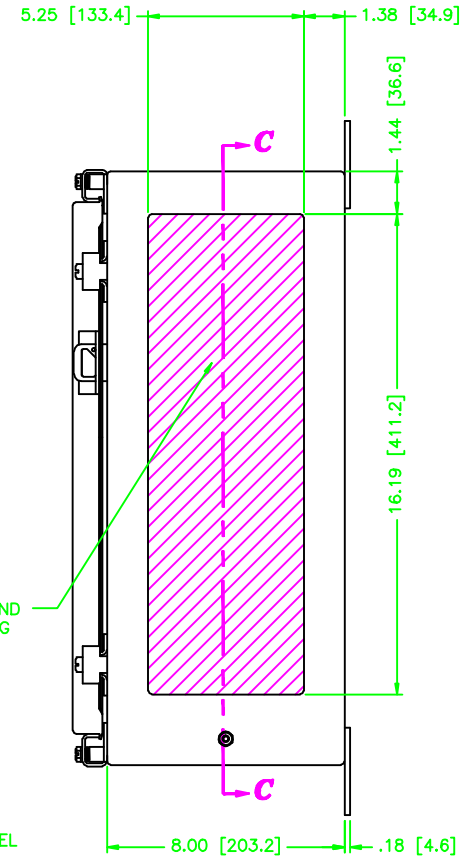
OPTIONAL GLAND PLATE OPENING



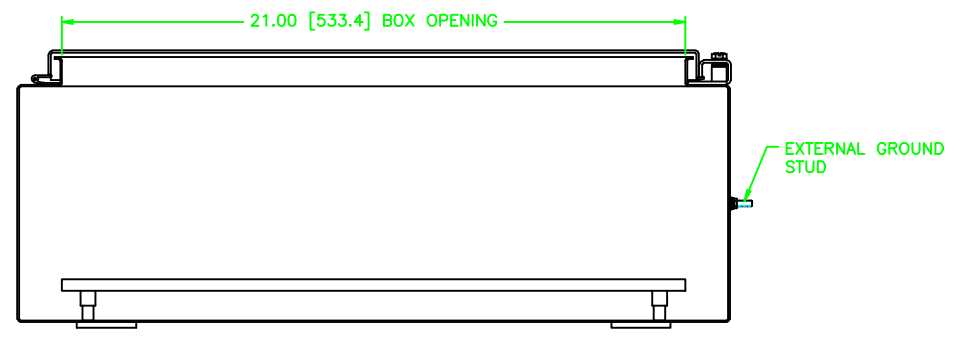
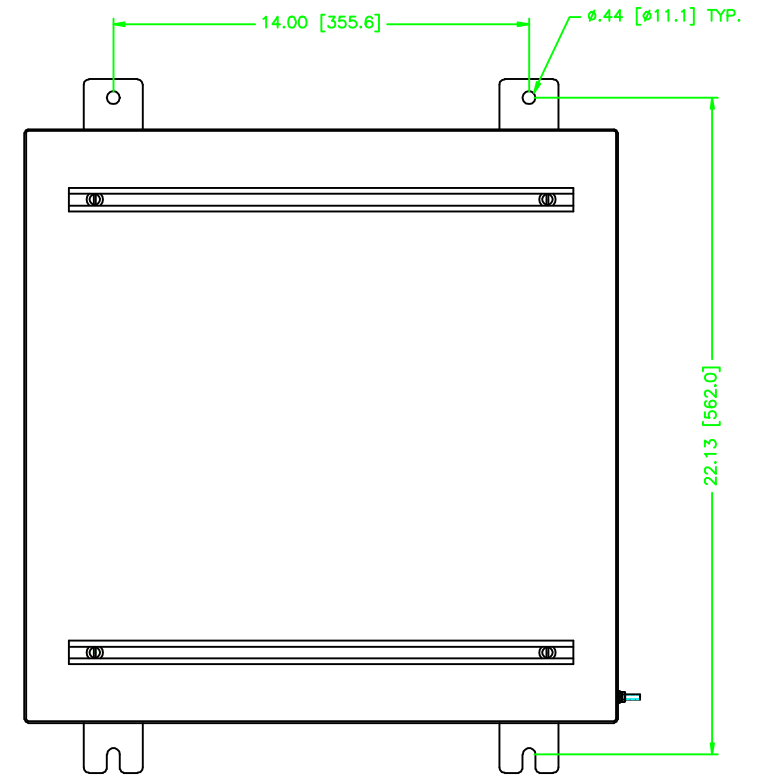
SECTION A-A



SECTION B-B



SECTION C-C



EXTERNAL GROUND STUD

| ENCLOSURE MATERIAL | CATALOG NUMBER | PART NUMBER |
|--------------------|----------------|-------------|
| SS316L | TN4X8-202408U | M11173 |
| SS304 | TN4X-202408U | M11107 |

| | | | | |
|---|--|---|---|---|
| <p>DO NOT SCALE DRAWING</p> <p>UNLESS OTHERWISE SPECIFIED DIMENSIONS ARE IN INCHES.</p> <p>SHEET METAL TOLERANCES NOT OTHERWISE SPECIFIED:</p> <p>FINN: ±1/16"</p> <p>JXX: ±.02"</p> <p>JXX: ±.010"</p> <p>ANGLES: 0°-30°</p> <p>INSIDE BEND RADIUS = .040" NOM.</p> <p>WARPAGE = 1/16" PER FOOT</p> <p>ALL WELD SIZES ARE MIN.</p> | | <p>ADALET</p> <p>A SCOTT FETZER COMPANY</p> <p>Enclosure Systems • Cable Accessories</p> <p>CONTRACTORS • OEMS</p> | <p>NOTICE TO PERSONS RECEIVING THIS DRAWING:</p> <p>ADALET CLAIMS PROPRIETARY RIGHTS IN THE MATERIALS, METHODS, AND DESIGN OF THE PRODUCTS AND SERVICES DESCRIBED HEREIN. THIS DRAWING IS ISSUED IN CONFIDENCE FOR ENGINEERING INFORMATION ONLY AND MAY NOT BE REPRODUCED OR USED TO MANUFACTURE, EITHER WHOLELY OR IN PART, WITHOUT WRITTEN PERMISSION FROM ADALET TO THE USER.</p> <p>MATERIAL:</p> <p>FINN:</p> <p>JXX:</p> <p>DATE:</p> | <p>TN4-202408 ENCLOSURE ASSEMBLY</p> <p>DRAWN BY: TT</p> <p>DATE: 12/2/08</p> <p>REV APPROVAL: TT</p> <p>PLAT SCALE: 1=3</p> <p>REV APPROVAL:</p> <p>REV DATE: D</p> <p>DWG NO: 202408</p> <p>SHEET: 10F1</p> <p>REV: A</p> |
|---|--|---|---|---|