

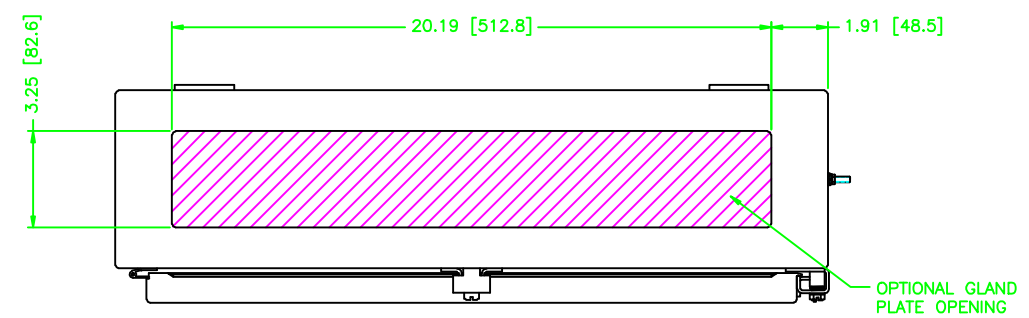
202406

REV	REVISION	BY	BCN	DATE
A	INITIAL RELEASE	TT		12/2/08

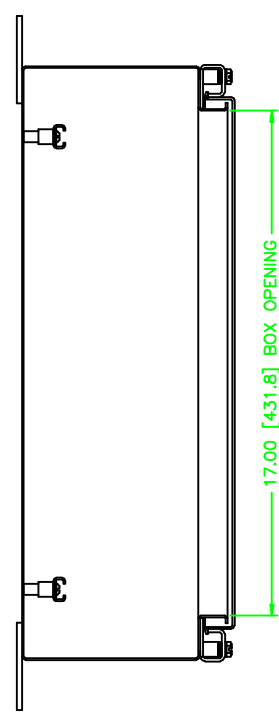
UNCONTROLLED DRAWING

(DATA SUBJECT TO CHANGE WITHOUT NOTICE)

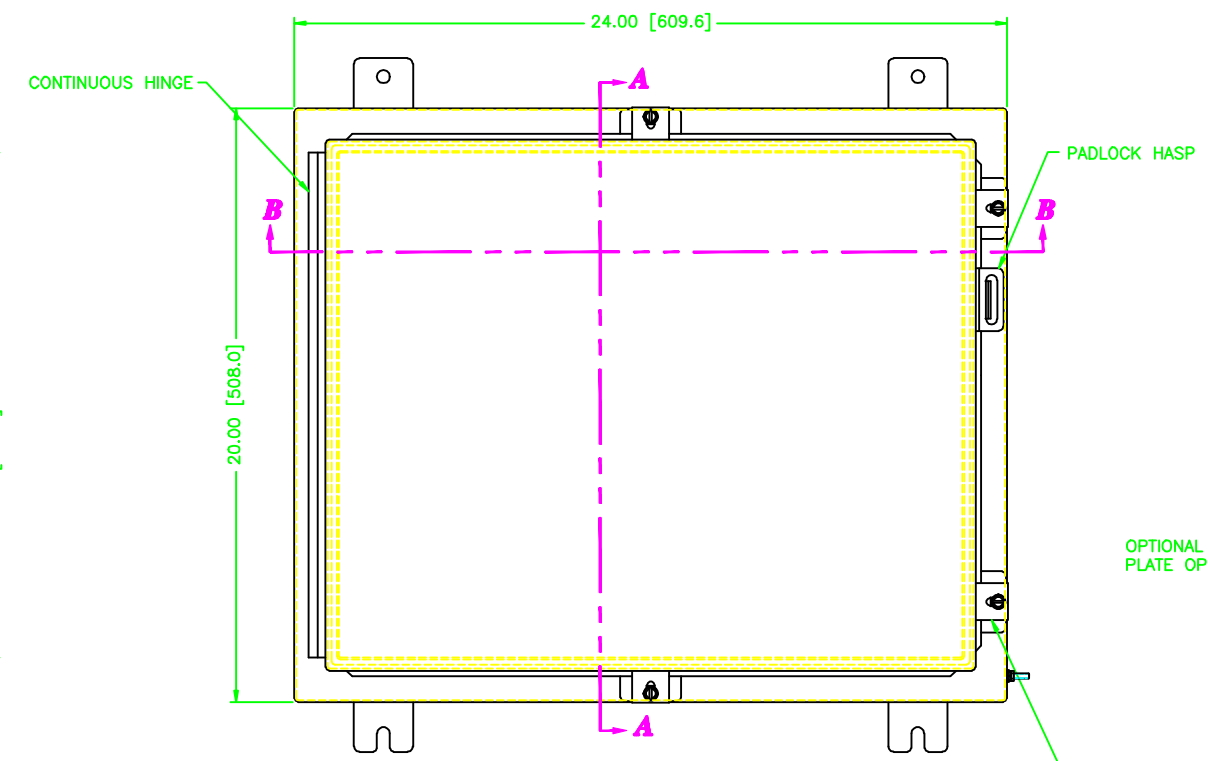
FOR ADDITIONAL HELP CONTACT ENGINEERING@ADALET.com



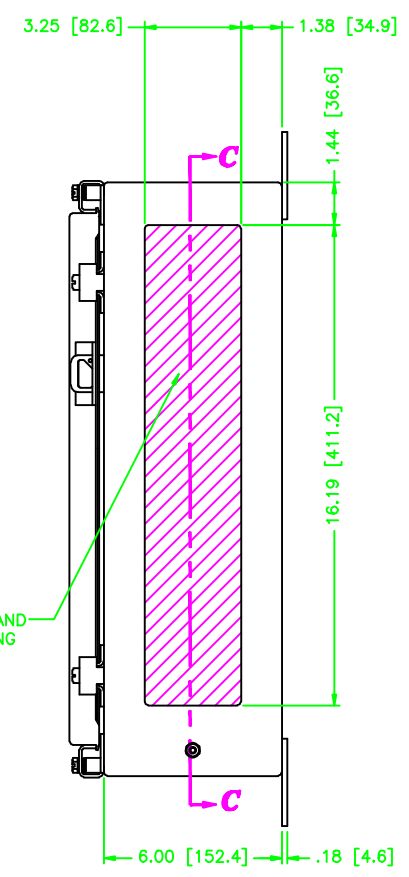
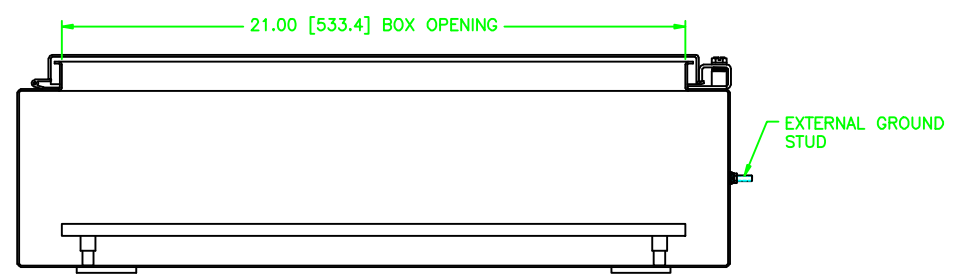
OPTIONAL GLAND PLATE OPENING



SECTION A-A

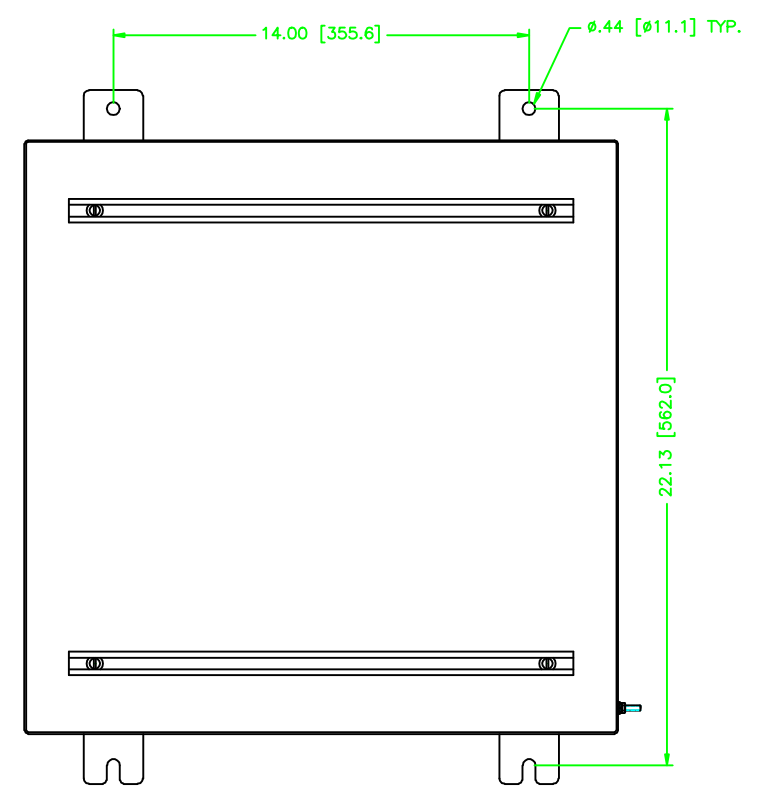


SECTION B-B



OPTIONAL GLAND PLATE OPENING

STAINLESS STEEL DOOR CLAMP (4) PLACES



SECTION C-C

ENCLOSURE MATERIAL	CATALOG NUMBER	PART NUMBER
SS316L	TN4X8-202406U	M11100
SS304	TN4X-202406U	M11083

<p>DO NOT SCALE DRAWING</p> <p>UNLESS OTHERWISE SPECIFIED DIMENSIONS ARE IN INCHES.</p> <p>SHEET METAL TOLERANCES NOT OTHERWISE SPECIFIED:</p> <p>FINN ± 1/16"</p> <p>JXX ± .02"</p> <p>JXX ± .010"</p> <p>ANGLES ± 0°-30"</p> <p>INSIDE BEND RADIUS = .040" NOM.</p> <p>WARPAGE = 1/16" PER FOOT</p> <p>ALL WELD SIZES ARE MIN.</p>	<p>ADALET</p> <p>A SCOTT FETZER COMPANY</p> <p>Enclosure Systems • Cable Accessories</p> <p>Control Systems • EMI</p>	<p>NOTICE TO PERSONS RECEIVING THIS DRAWING: ADALET CLAIMS PROPRIETARY RIGHTS IN THE MATERIALS, METHODS, AND EQUIPMENT USED IN THE DESIGN AND CONSTRUCTION OF THIS DRAWING. THIS DRAWING IS FOR ENGINEERING INFORMATION ONLY AND MAY NOT BE REPRODUCED OR USED TO MANUFACTURE WITHOUT WRITTEN PERMISSION FROM ADALET TO THE USER.</p> <p>DATE: 12/2/08</p> <p>SCALE: 1=3</p> <p>DRAWN BY: TT</p> <p>APPROVAL: TT</p> <p>DATE: 12/2/08</p> <p>SCALE: 1=3</p> <p>DRAWN BY: TT</p> <p>APPROVAL: TT</p> <p>DATE: 12/2/08</p> <p>SCALE: 1=3</p>
<p>UNLESS OTHERWISE SPECIFIED DIMENSIONS ARE IN INCHES.</p> <p>SHEET METAL TOLERANCES NOT OTHERWISE SPECIFIED:</p> <p>FINN ± 1/16"</p> <p>JXX ± .02"</p> <p>JXX ± .010"</p> <p>ANGLES ± 0°-30"</p> <p>INSIDE BEND RADIUS = .040" NOM.</p> <p>WARPAGE = 1/16" PER FOOT</p> <p>ALL WELD SIZES ARE MIN.</p>		<p>TN4-202406 ENCLOSURE ASSEMBLY</p> <p>DATE: 12/2/08</p> <p>SCALE: 1=3</p> <p>DRAWN BY: TT</p> <p>APPROVAL: TT</p> <p>DATE: 12/2/08</p> <p>SCALE: 1=3</p>
<p>UNLESS OTHERWISE SPECIFIED DIMENSIONS ARE IN INCHES.</p> <p>SHEET METAL TOLERANCES NOT OTHERWISE SPECIFIED:</p> <p>FINN ± 1/16"</p> <p>JXX ± .02"</p> <p>JXX ± .010"</p> <p>ANGLES ± 0°-30"</p> <p>INSIDE BEND RADIUS = .040" NOM.</p> <p>WARPAGE = 1/16" PER FOOT</p> <p>ALL WELD SIZES ARE MIN.</p>		<p>202406 10F1 A</p>