

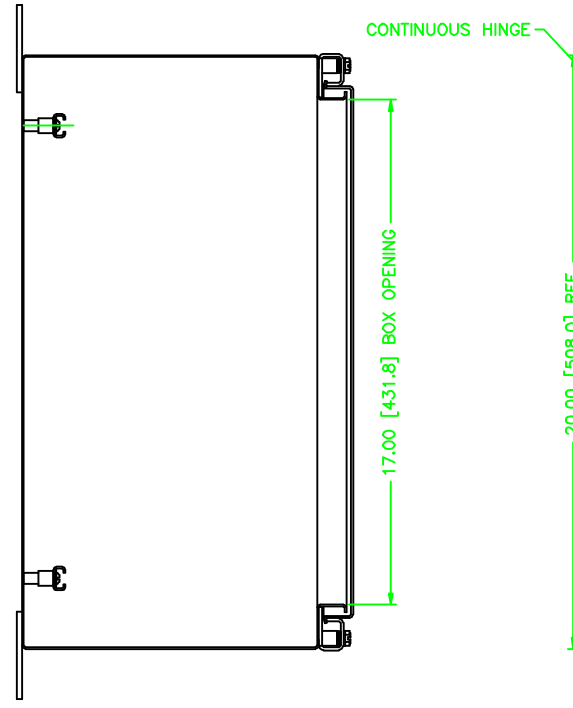
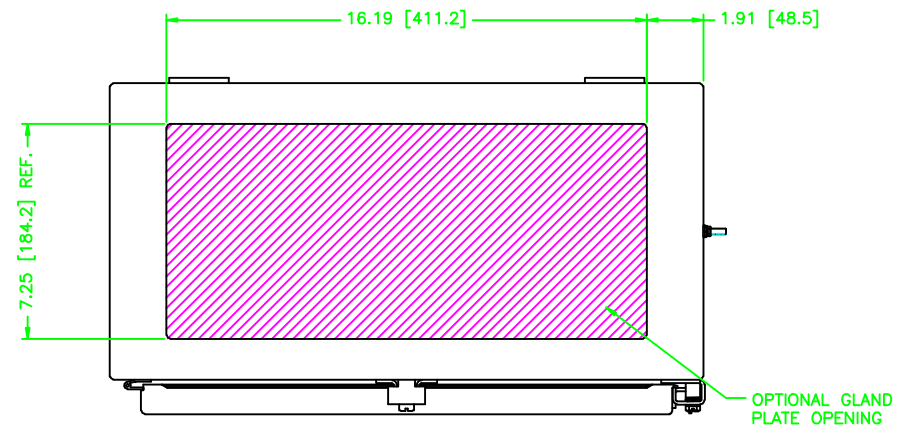
202010

REV	REVISION	BY	BCN	DATE
A	INITIAL RELEASE	TT		12/2/08

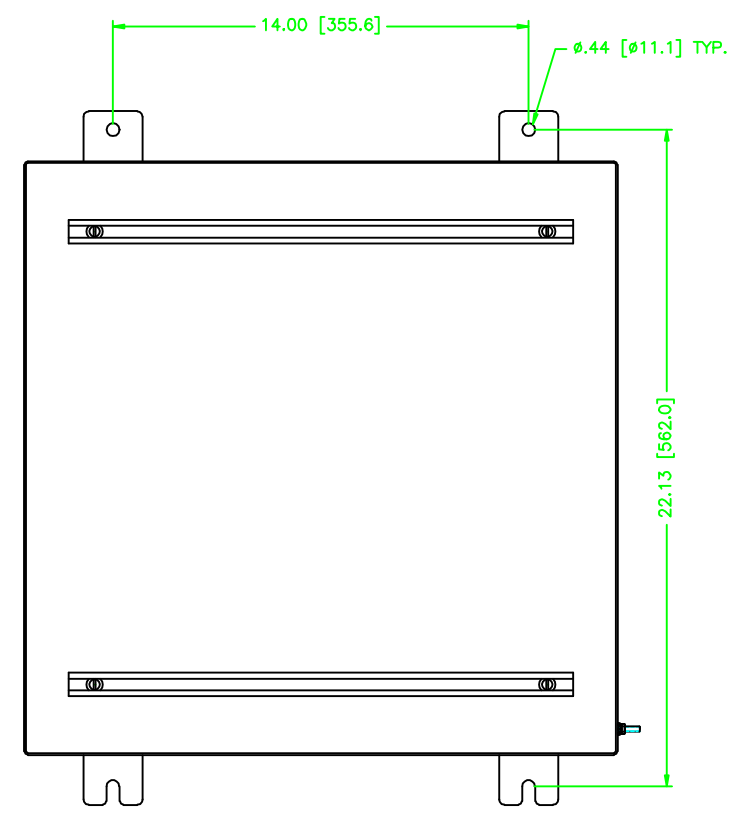
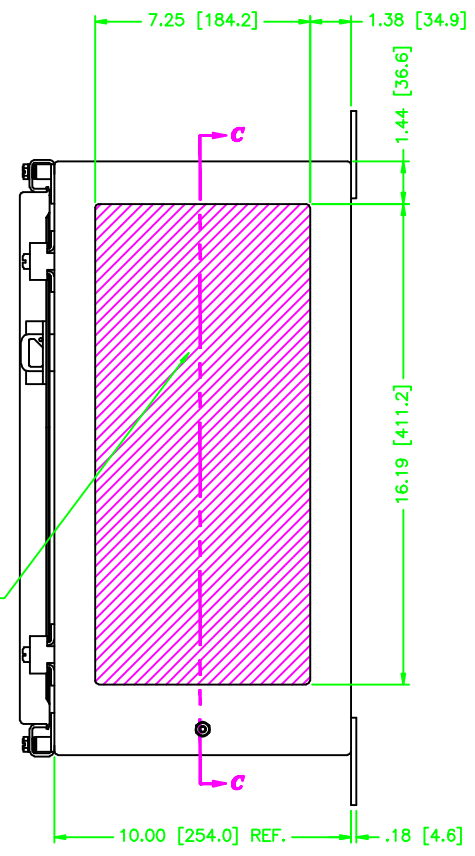
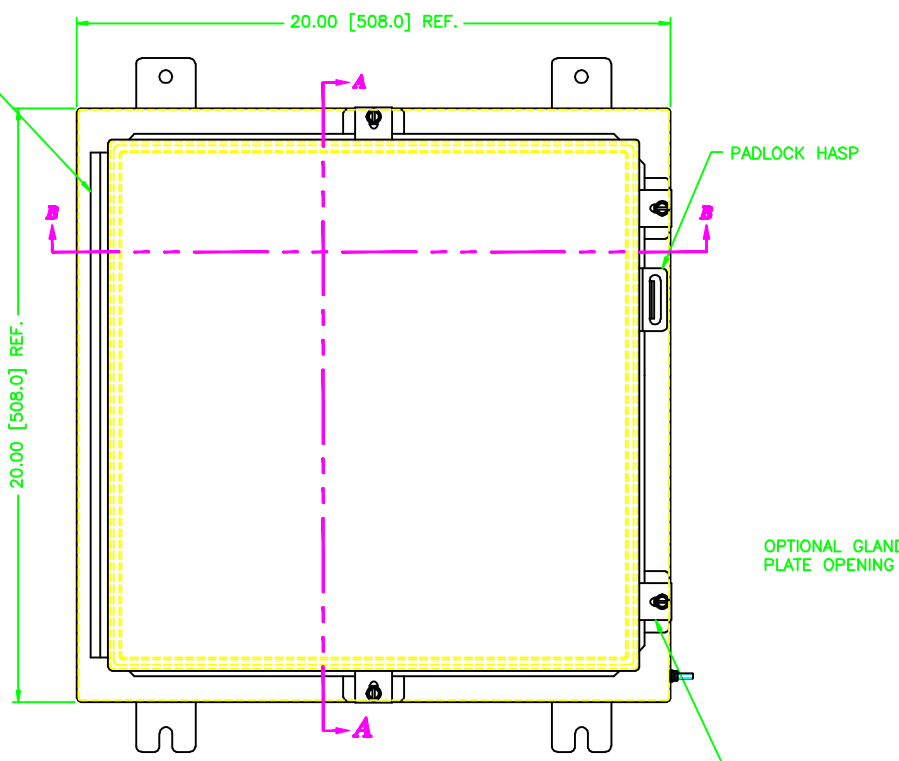
UNCONTROLLED DRAWING

(DATA SUBJECT TO CHANGE WITHOUT NOTICE)

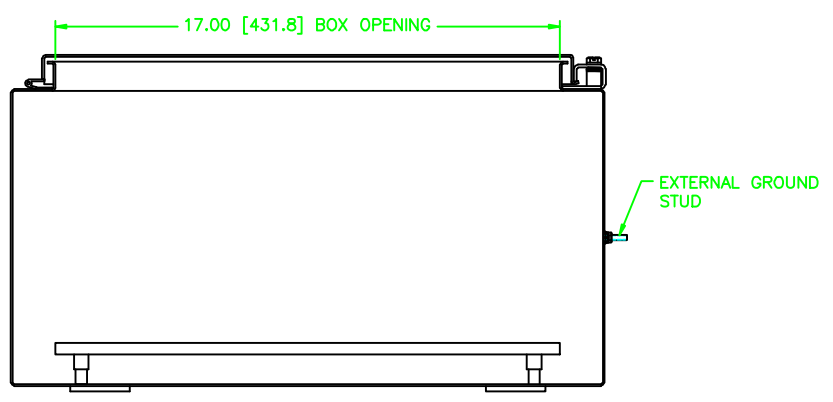
FOR ADDITIONAL HELP CONTACT ENGINEERING@ADALET.com



SECTION A-A



SECTION C-C



SECTION B-B

ENCLOSURE MATERIAL	CATALOG NUMBER	PART NUMBER
SS316L	TN4X8-202010U	M11188
SS304	TN4X-202010U	M11122

<p>DO NOT SCALE DRAWING</p> <p>UNLESS OTHERWISE SPECIFIED DIMENSIONS ARE IN INCHES.</p> <p>SHEET METAL TOLERANCES NOT OTHERWISE SPECIFIED:</p> <p>FINC ±1/16"</p> <p>JXX ±.02"</p> <p>JXX ±.010"</p> <p>ANGLES ± 0°-30"</p> <p>INSIDE BEND RADIUS = .040" NOM.</p> <p>WARPAGE = 1/16" PER FOOT</p> <p>ALL WELD SIZES ARE MIN.</p>		<p>ADALET</p> <p>A SCOTT FETZER COMPANY</p> <p>Enclosure Systems • Cable Accessories</p> <p>Customer Service 888-454-4444</p> <p>NOTICE TO PERSONS RECEIVING THIS DRAWING: ADALET CLAIMS PROPRIETARY RIGHTS IN THE MATERIALS, METHODS, AND EQUIPMENT USED IN THE DESIGN AND MANUFACTURE OF THIS DRAWING. NO PART OF THIS DRAWING IS TO BE REPRODUCED OR USED TO MANUFACTURE WITHOUT WRITTEN PERMISSION FROM ADALET TO THE USER.</p> <p>DATE: 12/2/08</p> <p>SCALE: 1=3</p> <p>DRAWN BY: TT</p> <p>APPROVAL: TT</p> <p>DATE: 12/2/08</p> <p>SCALE: 1=3</p> <p>REV: D</p> <p>202010 10F1 A</p>
---	--	---