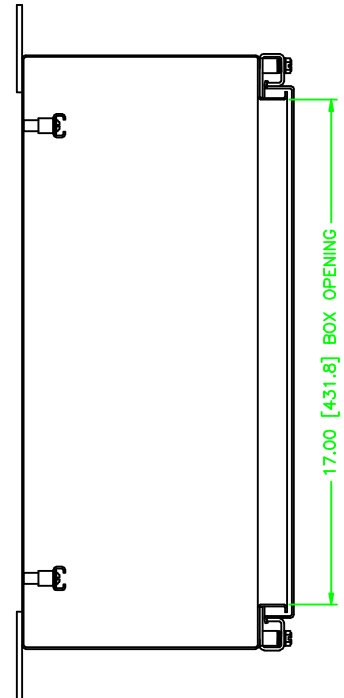
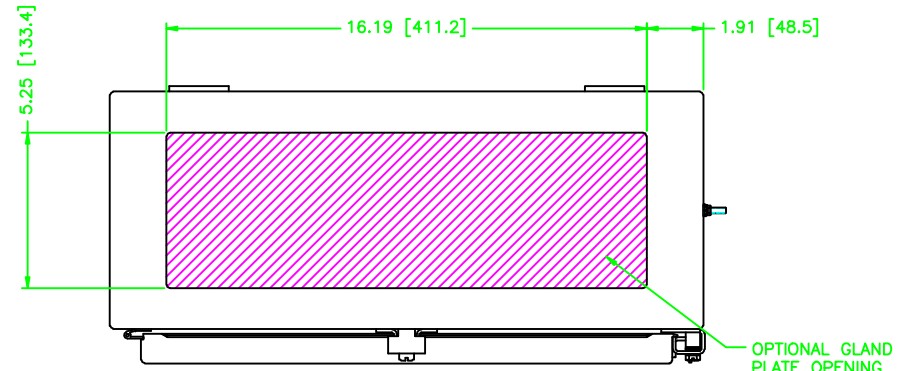


202008	REV	REVISION	BY	BCN	DATE
	A	INITIAL RELEASE	TT		12/2/08

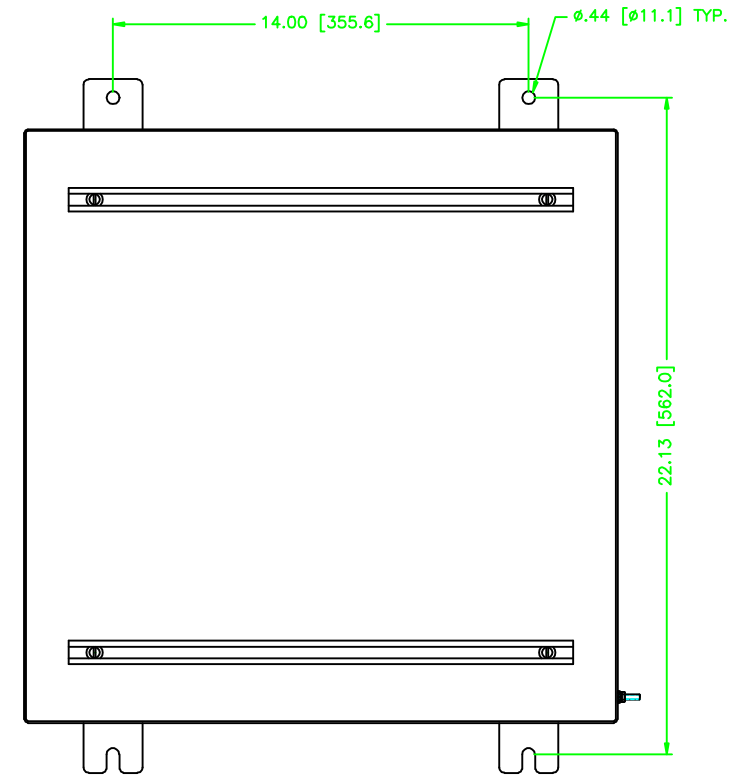
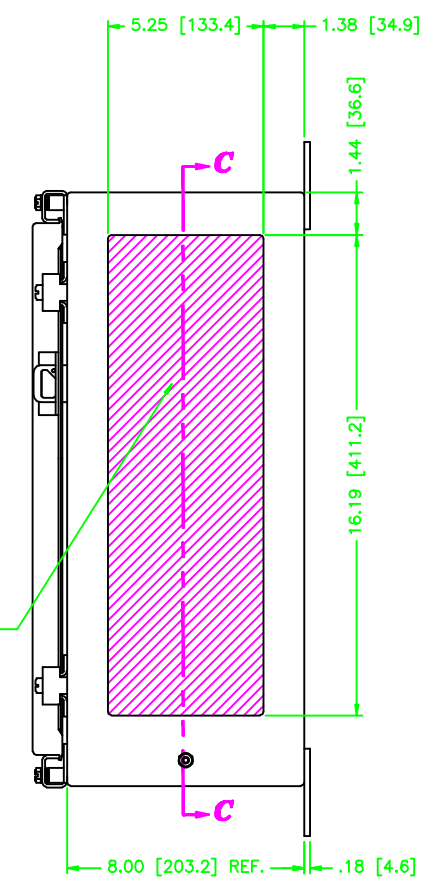
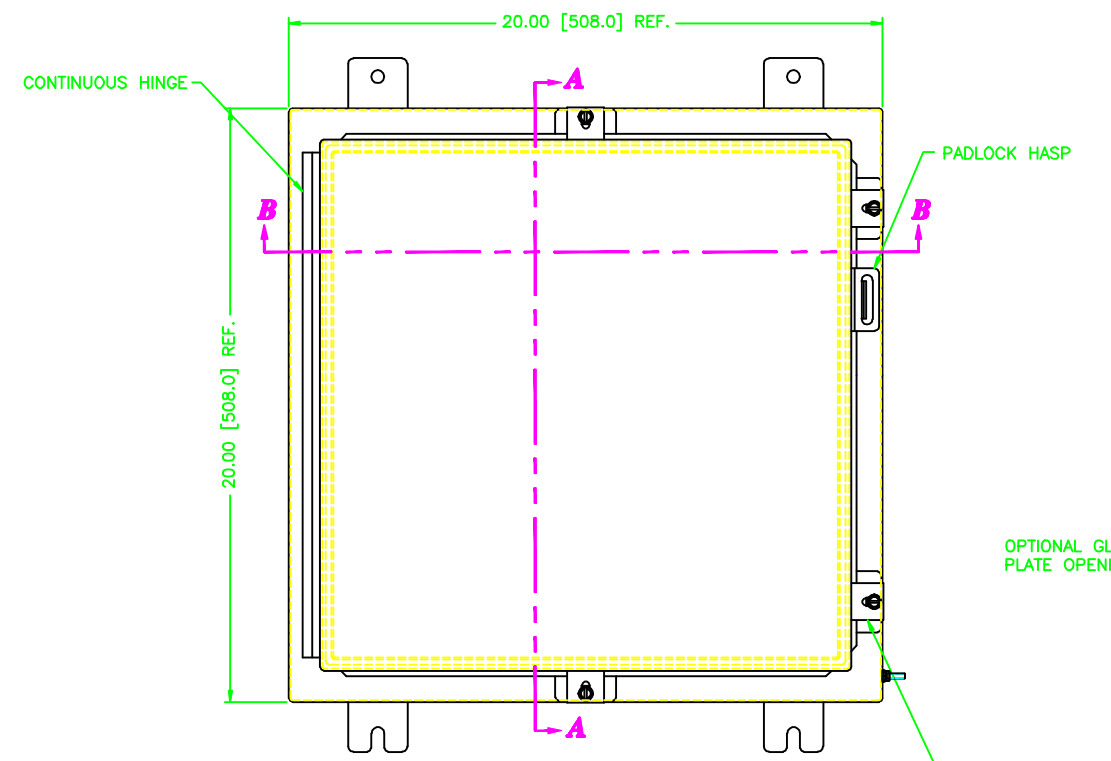
UNCONTROLLED DRAWING

(DATA SUBJECT TO CHANGE WITHOUT NOTICE)

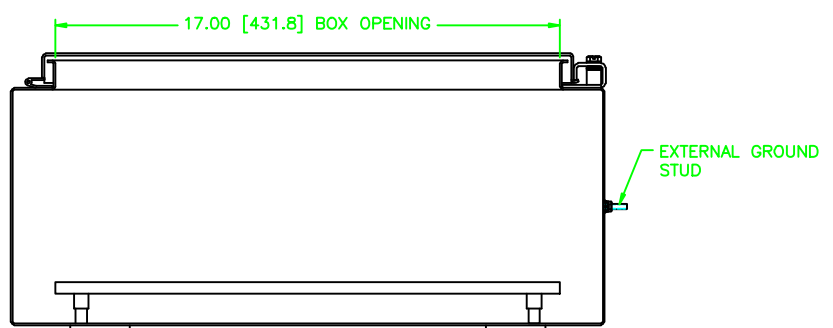
FOR ADDITIONAL HELP CONTACT ENGINEERING@ADALET.com



SECTION A-A



SECTION C-C



SECTION B-B

ENCLOSURE MATERIAL	CATALOG NUMBER	PART NUMBER
SS316L	TN4X8-202008U	M11172
SS304	TN4X-202008U	M11108

DO NOT SCALE DRAWING		UNLESS OTHERWISE SPECIFIED DIMENSIONS ARE IN INCHES.		SHEET METAL TOLERANCES NOT OTHERWISE SPECIFIED:		ADALET A SCOTT FETZER COMPANY Enclosure Systems • Cable Accessories General Services • 5881		NOTICE TO PERSONS RECEIVING THIS DRAWING: ADALET CLAIMS PROPRIETARY RIGHTS IN THE MATERIALS, METHODS, AND EQUIPMENT USED IN THE DESIGN AND CONSTRUCTION OF THIS DRAWING. THIS DRAWING IS ISSUED IN CONFIDENCE FOR ENGINEERING INFORMATION ONLY AND MAY NOT BE REPRODUCED OR USED TO MANUFACTURE, WITHOUT EXPRESS WRITTEN PERMISSION FROM ADALET TO THE USER.		TN4-202008 ENCLOSURE ASSEMBLY DRAWN BY TT DATE 12/2/08 DESIGNED BY TT CHECKED BY TT APPROVED BY TT DWG NO 202008 SHEET 10F1 REV A	
----------------------	--	--	--	---	--	---	--	---	--	--	--