

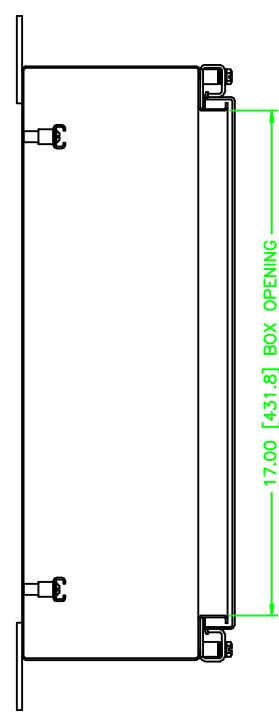
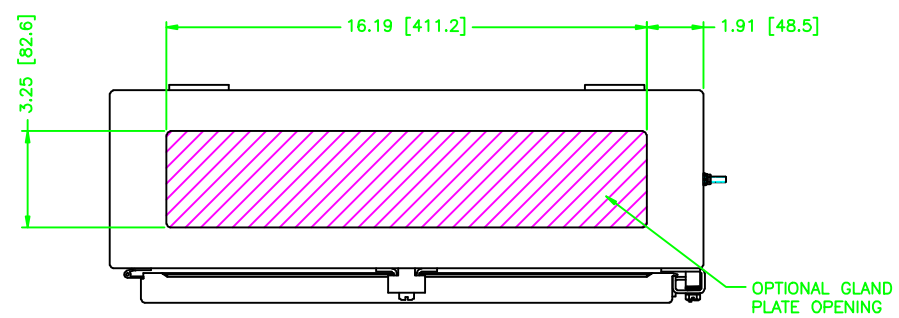
202006

REV	REVISION	BY	BCN	DATE
A	INITIAL RELEASE	TT		12/2/08

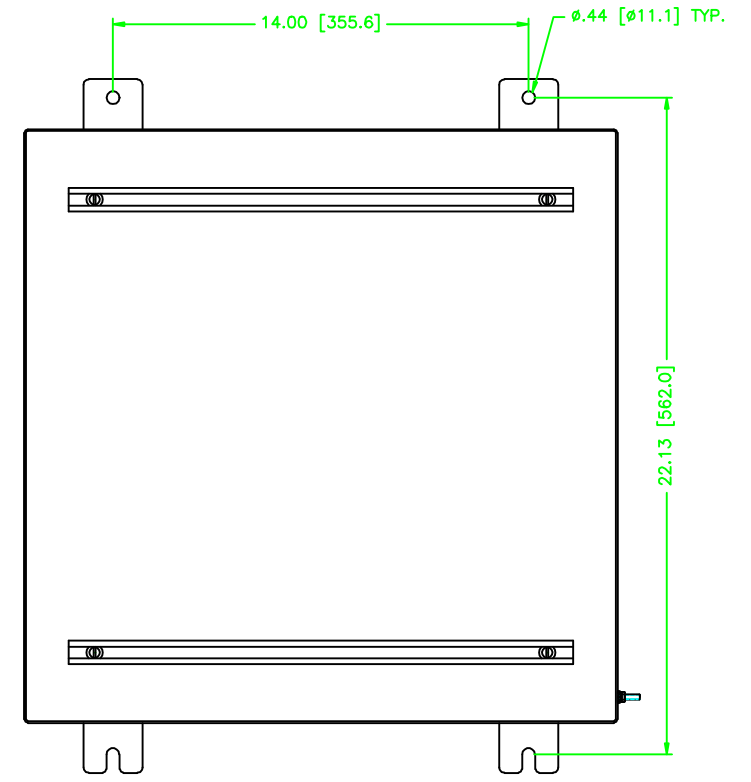
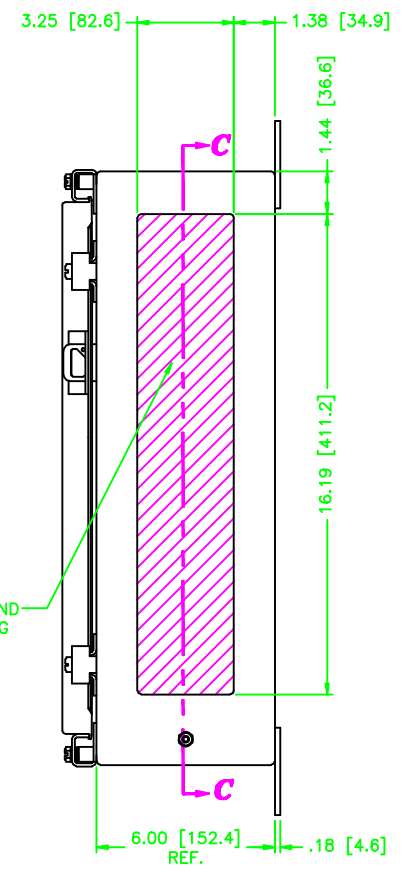
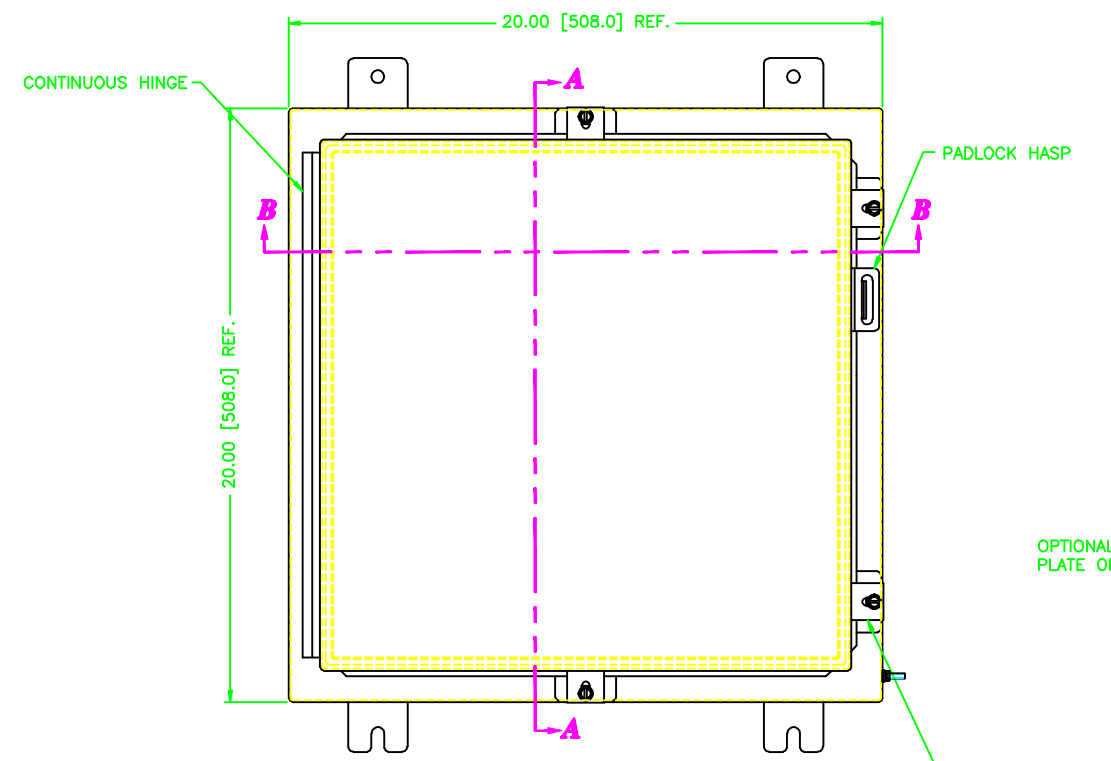
UNCONTROLLED DRAWING

(DATA SUBJECT TO CHANGE WITHOUT NOTICE)

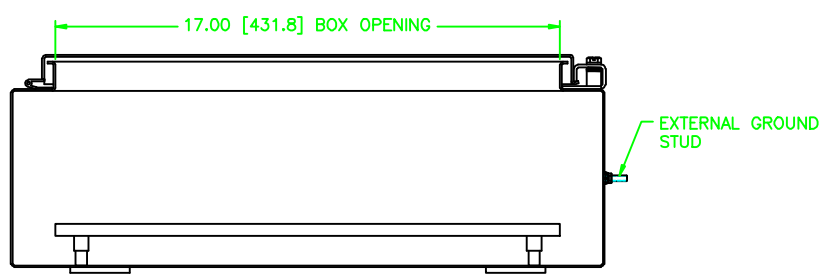
FOR ADDITIONAL HELP CONTACT ENGINEERING@ADALET.com



SECTION A-A



SECTION C-C



SECTION B-B

ENCLOSURE MATERIAL	CATALOG NUMBER	PART NUMBER
SS316L	TN4X8-202006U	M11169
SS304	TN4X-202006U	M11082

<p>ADALET A SCOTT FETZER COMPANY Enclosure Systems • Cable Accessories Control Systems • 684</p>		<p>TN4-202006 ENCLOSURE ASSEMBLY</p>	
<p>UNLESS OTHERWISE SPECIFIED DIMENSIONS ARE IN INCHES. SHEET METAL TOLERANCES NOT OTHERWISE SPECIFIED: FINN ±.1/16" JXX ±.02" JXX ±.010" ANGLES ± 0°-30" INSIDE BEND RADIUS = .040" NOM. WARPAGE = 1/16" PER FOOT ALL WELD SIZES ARE MIN.</p>	<p>NOTICE TO PERSONS RECEIVING THIS DRAWING: ADALET CLAIMS PROPRIETARY RIGHTS IN THE MATERIALS, METHODS, AND EQUIPMENT USED IN THE DESIGN AND CONSTRUCTION OF THIS DRAWING. THIS DRAWING IS ISSUED IN CONFIDENCE FOR ENGINEERING INFORMATION ONLY AND MAY NOT BE REPRODUCED OR USED TO MANUFACTURE, EITHER WHOLE OR PART, WITHOUT DIRECT WRITTEN PERMISSION FROM ADALET TO THE USER.</p>	<p>DRAWN BY TT DATE 12/2/08 APPROVAL BY TT DRAWN SCALE 1=3 APPROVAL BY D DWG SIZE DWG NO 202006 SHEET 10F1</p>	<p>REV A</p>