

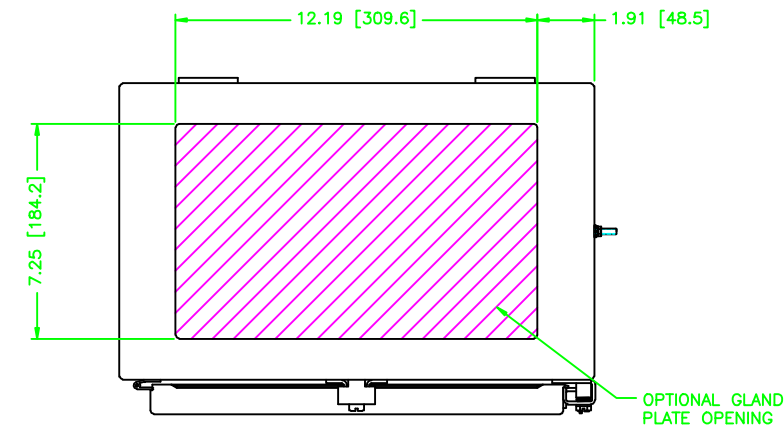
REV	REVISION	BY	BCN	DATE
A	INITIAL RELEASE	TT		12/2/08

201610

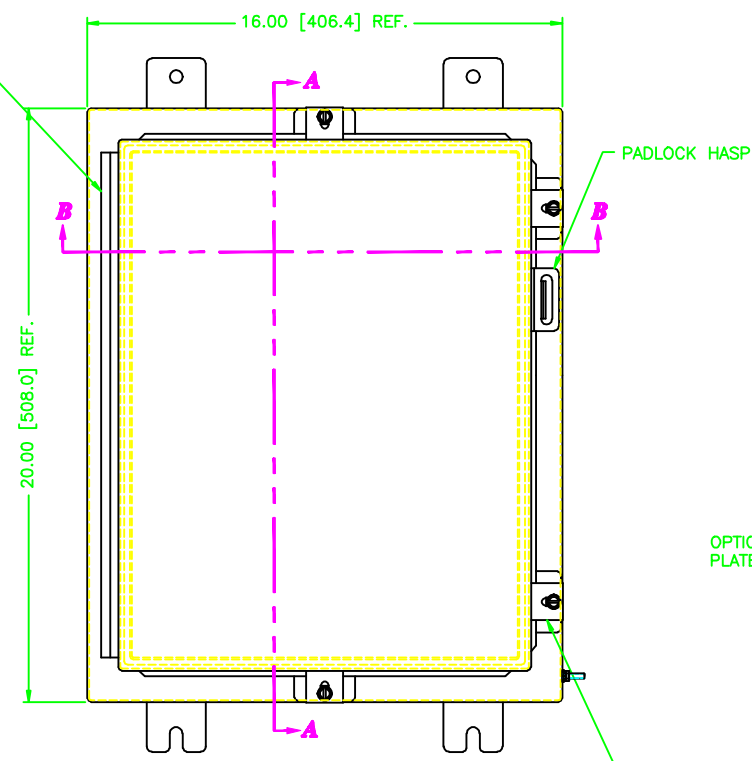
UNCONTROLLED DRAWING

(DATA SUBJECT TO CHANGE WITHOUT NOTICE)

FOR ADDITIONAL HELP CONTACT ENGINEERING@ADALET.com

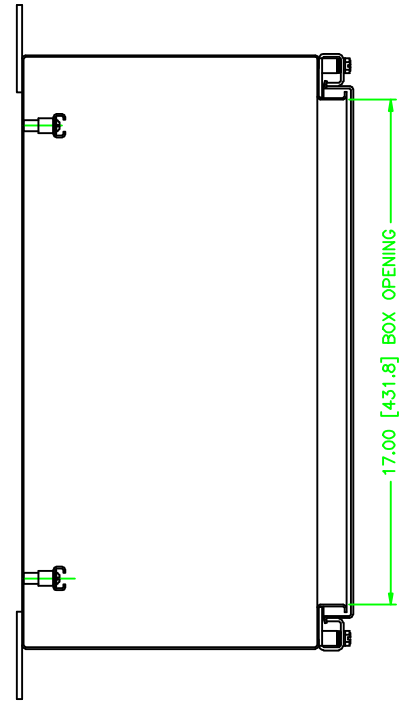
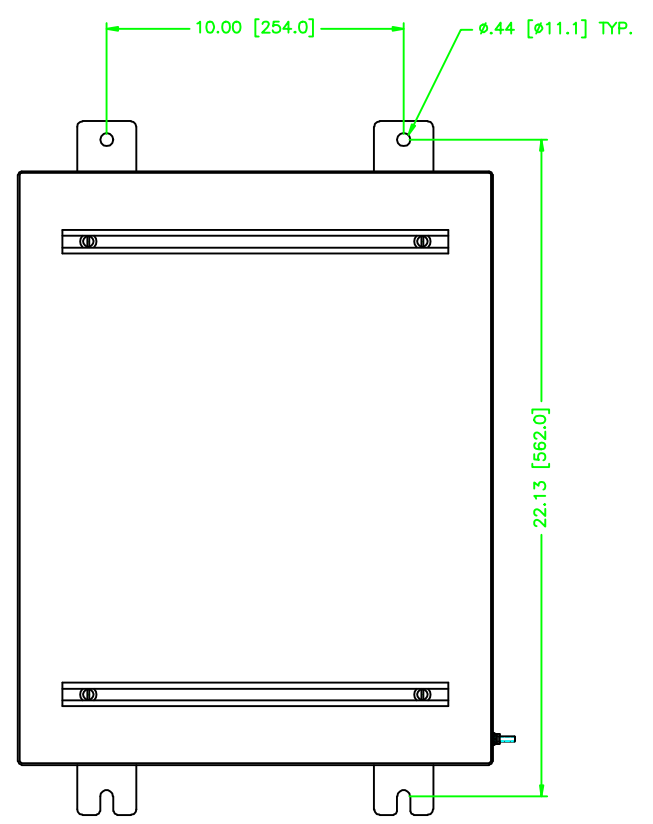
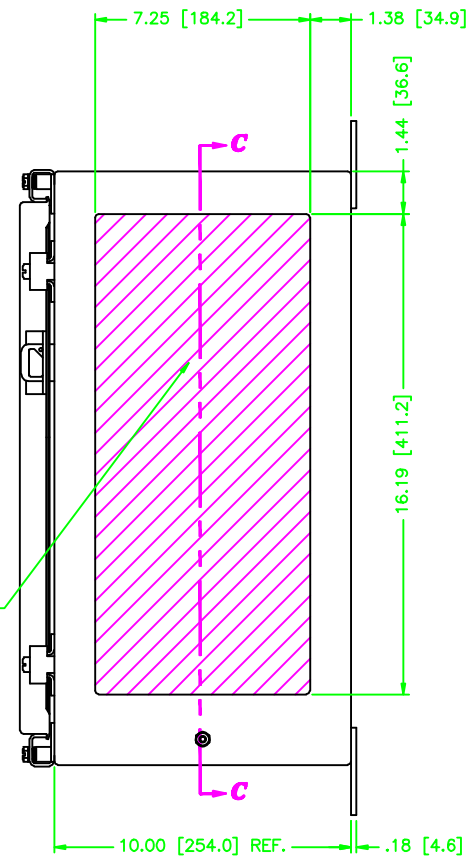


OPTIONAL GLAND PLATE OPENING

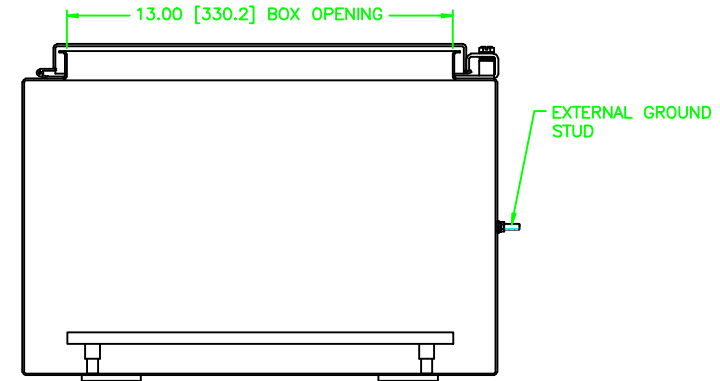


OPTIONAL GLAND PLATE OPENING

STAINLESS STEEL DOOR CLAMP (4) PLACES



SECTION A-A



SECTION B-B

SECTION C-C

ENCLOSURE MATERIAL	CATALOG NUMBER	PART NUMBER
SS316L	TN4X8-201610U	M11187
SS304	TN4X-201610U	M11121

<p>ADALET A SCOTT FETZER COMPANY Enclosure Systems • Cable Accessories Control Systems • 604</p>		<p>TN4-201610 ENCLOSURE ASSEMBLY</p>	
<p>UNLESS OTHERWISE SPECIFIED DIMENSIONS ARE IN INCHES. SHEET METAL TOLERANCES NOT OTHERWISE SPECIFIED: FINC ±1/16" JXX ±.02" JXX ±.010" ANGLES ± 0°-30" INSIDE BEND RADIUS = .040" NOM. WARPAGE = 1/16" PER FOOT ALL WELD SIZES ARE MIN.</p>	<p>NOTICE TO PERSONS RECEIVING THIS DRAWING: ADALET CLAIMS PROPRIETARY RIGHTS IN THE MATERIALS, METHODS, AND THE DRAWING IS ISSUED IN CONFIDENCE FOR ENGINEERING INFORMATION ONLY AND MAY NOT BE REPRODUCED OR USED TO MANUFACTURE, EITHER IN WHOLE OR IN PART, WITHOUT WRITTEN PERMISSION FROM ADALET TO THE USER.</p>	<p>DRAWN BY TT DATE 12/2/08 REV APPROVAL MFG APPROVAL DATE</p>	<p>PLAT SCALE 1=3 DWG SIZE D DWG NO 201610 REV 10F1 REV A</p>