

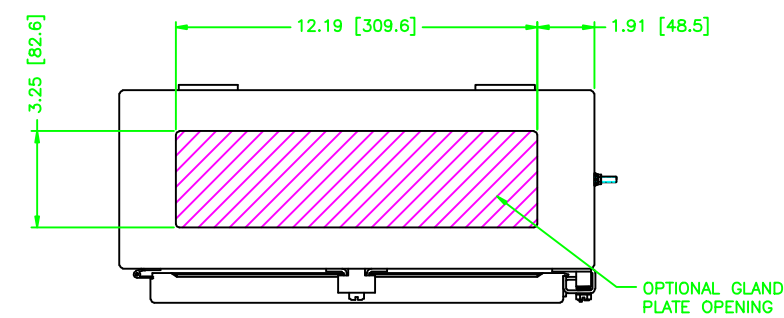
201606

REV	REVISION	BY	BCN	DATE
A	INITIAL RELEASE	TT		12/2/08

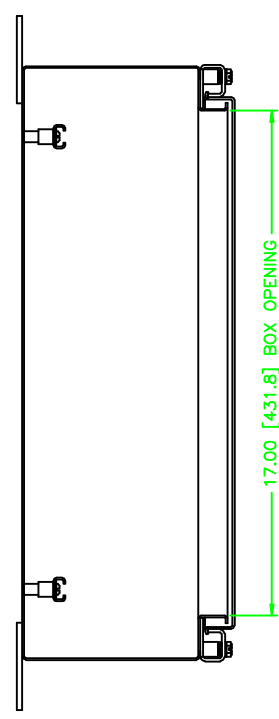
UNCONTROLLED DRAWING

(DATA SUBJECT TO CHANGE WITHOUT NOTICE)

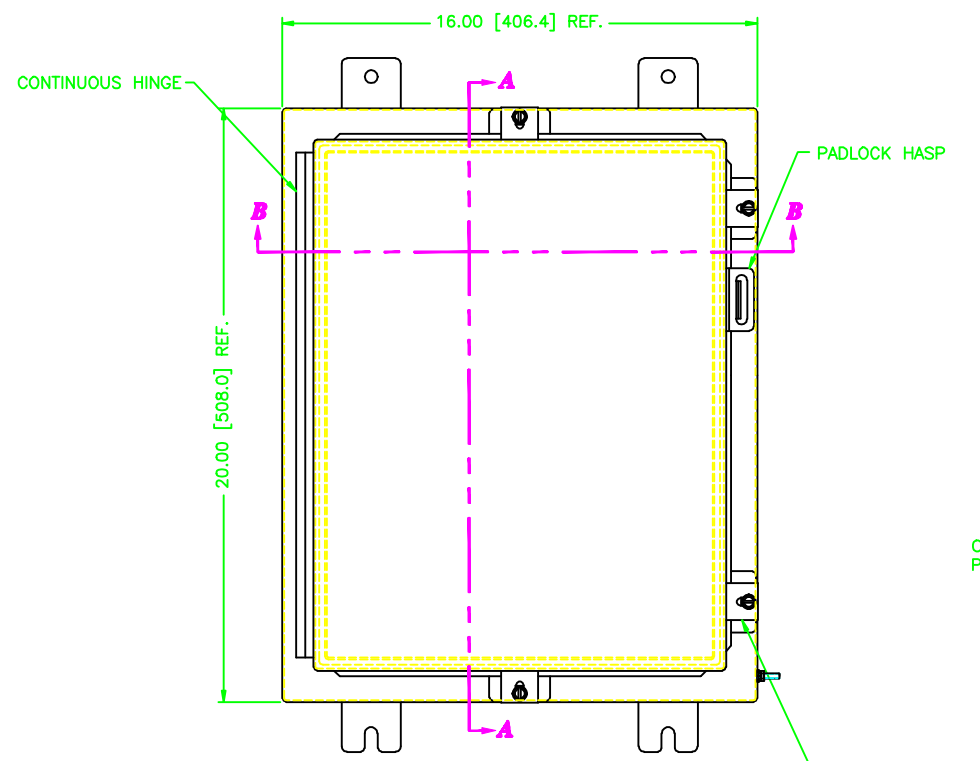
FOR ADDITIONAL HELP CONTACT ENGINEERING@ADALET.com



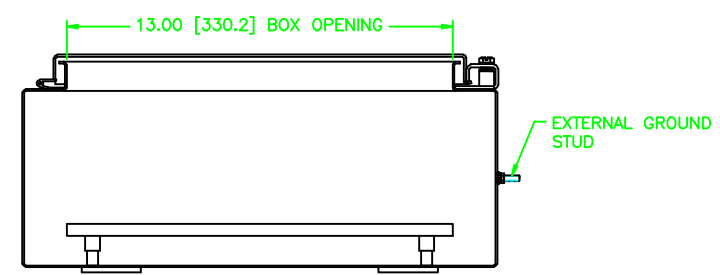
OPTIONAL GLAND PLATE OPENING



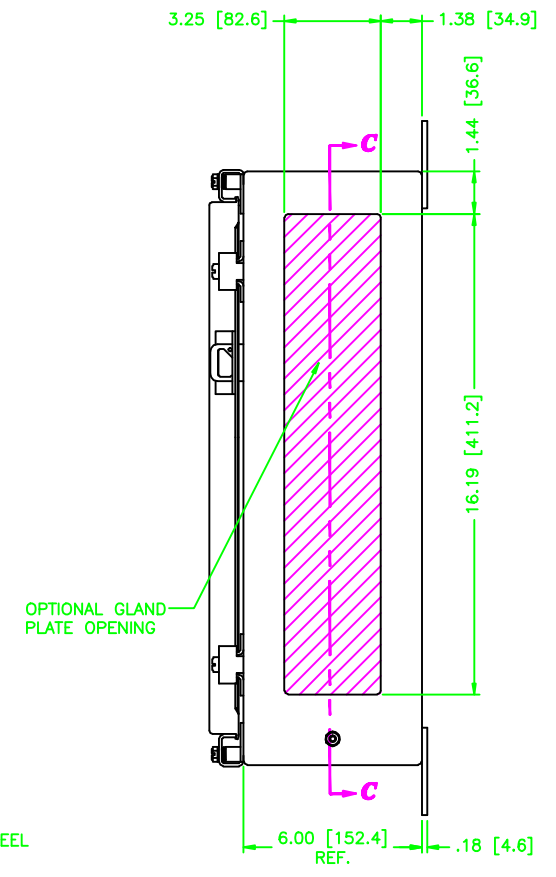
SECTION A-A



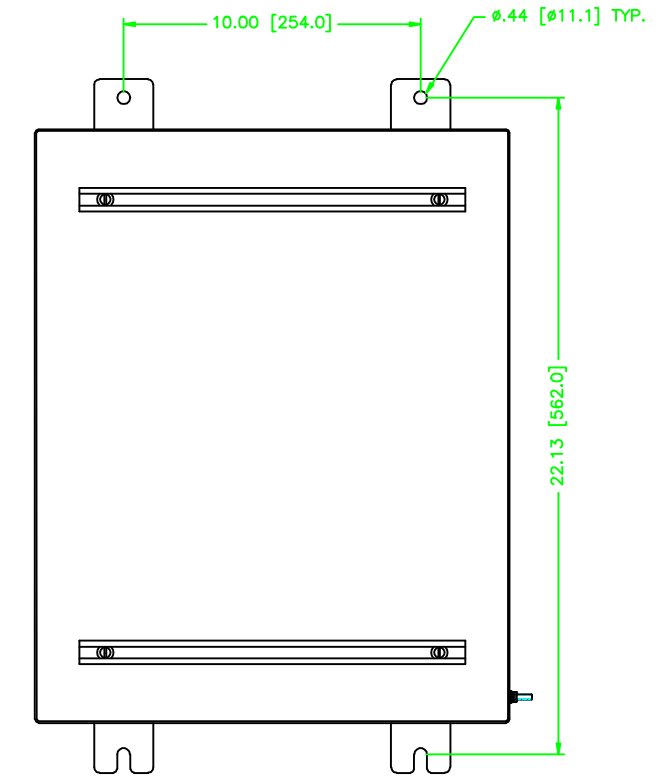
STAINLESS STEEL DOOR CLAMP (4) PLACES



SECTION B-B



OPTIONAL GLAND PLATE OPENING



SECTION C-C

ENCLOSURE MATERIAL	CATALOG NUMBER	PART NUMBER
SS316L	TN4X8-201606U	M11167
SS304	TN4X-201606U	M11090

<p>UNLESS OTHERWISE SPECIFIED DIMENSIONS ARE IN INCHES.</p> <p>SHEET METAL TOLERANCES NOT OTHERWISE SPECIFIED:</p> <p>FINN ± 1/16"</p> <p>JXX ± .02"</p> <p>JXX ± .010"</p> <p>ANGLES ± 0°-30"</p> <p>INSIDE BEND RADIUS = .040" NOM.</p> <p>WARPAGE = 1/16" PER FOOT</p> <p>ALL WELD SIZES ARE MIN.</p>		<p>ADALET</p> <p>A SCOTT FETZER COMPANY</p> <p>Enclosure Systems • Cable Accessories</p> <p>CONTRACTORS • OEM'S</p>	<p>NOTICE TO PERSONS RECEIVING THIS DRAWING:</p> <p>ADALET CLAIMS PROPRIETARY RIGHTS IN THE MATERIALS, METHODS, AND EQUIPMENT USED IN THE DESIGN AND CONSTRUCTION OF THIS DRAWING. THIS DRAWING IS ISSUED IN CONFIDENCE FOR ENGINEERING PURPOSES ONLY AND MAY NOT BE REPRODUCED OR USED TO MANUFACTURE, WITHOUT WRITTEN PERMISSION FROM ADALET TO THE USER.</p> <p>DATE: 12/2/08</p> <p>SCALE: 1=3</p> <p>REV: D</p> <p>201606 10F1 A</p>
<p>DO NOT SCALE DRAWING</p>		<p>TN4-201606 ENCLOSURE ASSEMBLY</p>	
<p>DATE: 12/2/08</p>		<p>SCALE: 1=3</p>	
<p>SCALE: 1=3</p>		<p>SCALE: 1=3</p>	
<p>SCALE: 1=3</p>		<p>SCALE: 1=3</p>	