

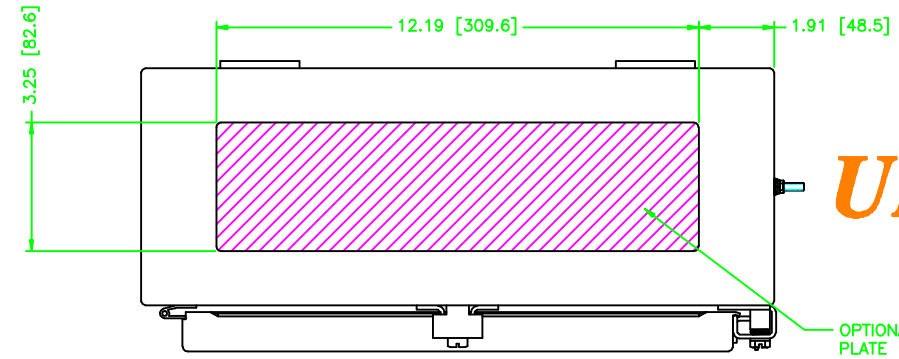
REV	REVISION	BY	CHK	DATE
A	INITIAL RELEASE	TT		12/2/08

161606

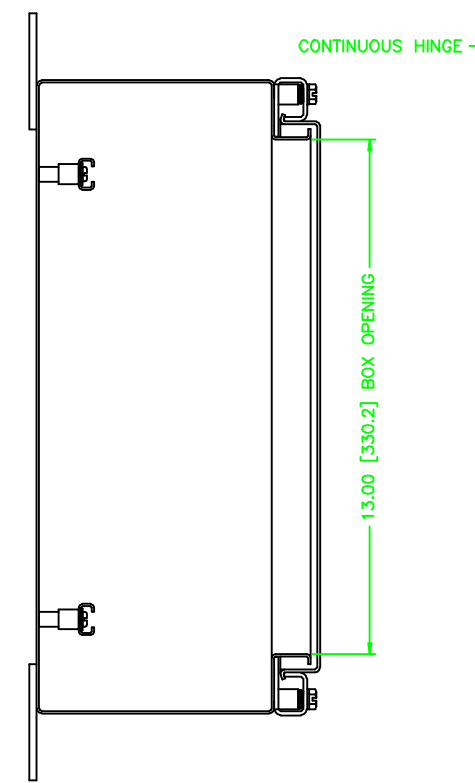
UNCONTROLLED DRAWING

(DATA SUBJECT TO CHANGE WITHOUT NOTICE)

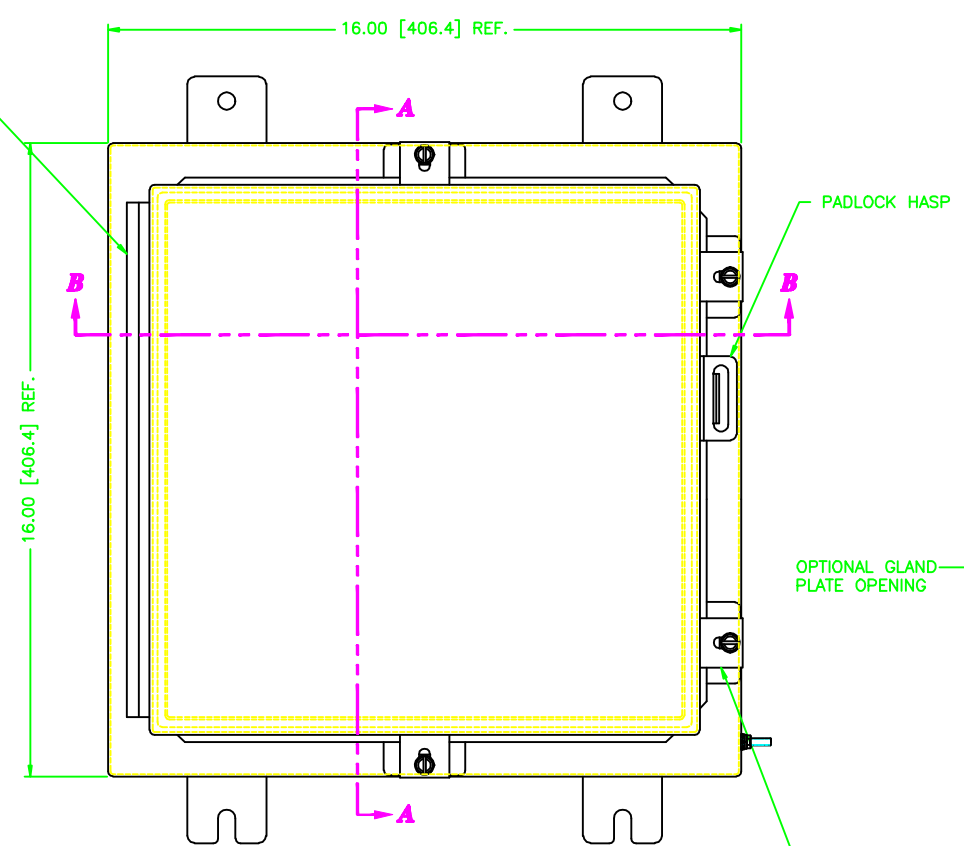
FOR ADDITIONAL HELP CONTACT ENGINEERING@ADALET.com



OPTIONAL GLAND PLATE OPENING



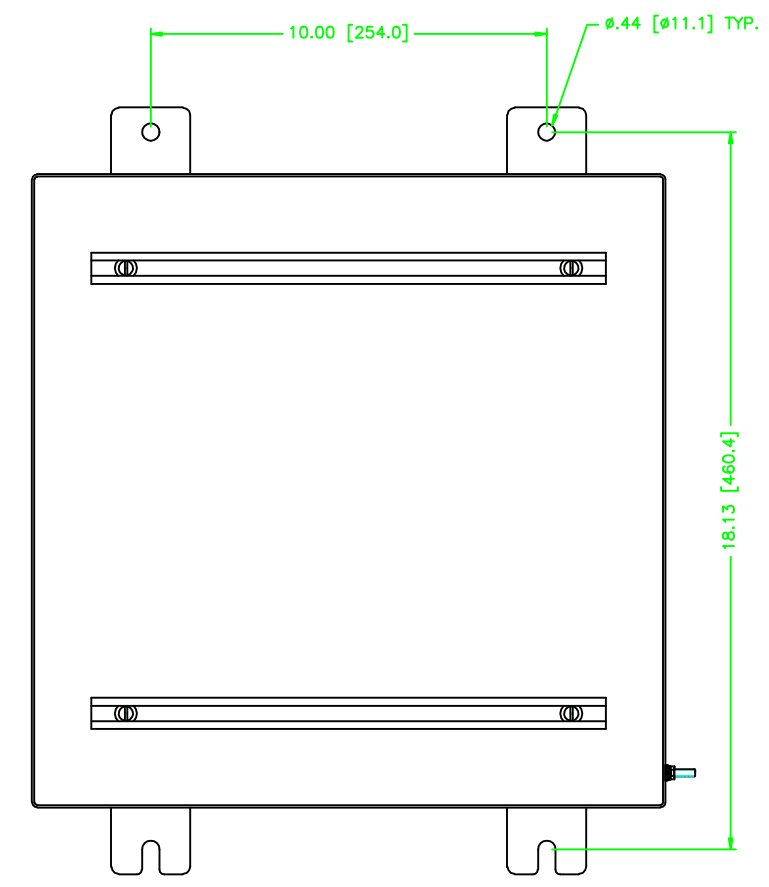
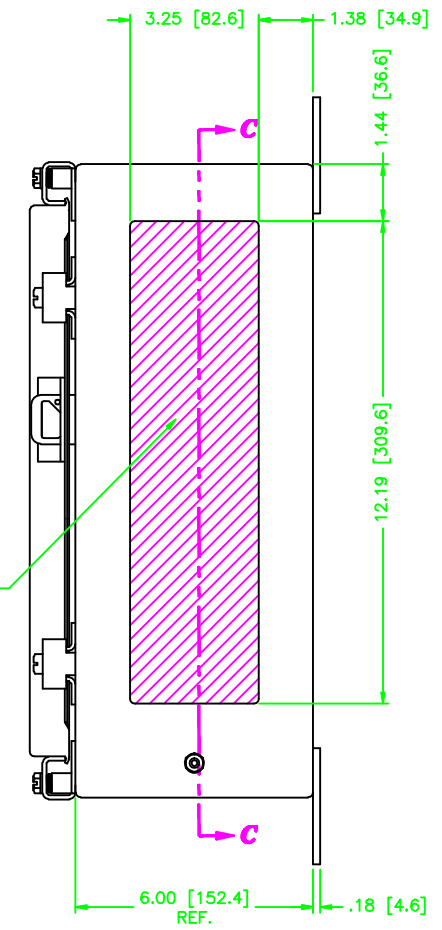
SECTION A-A



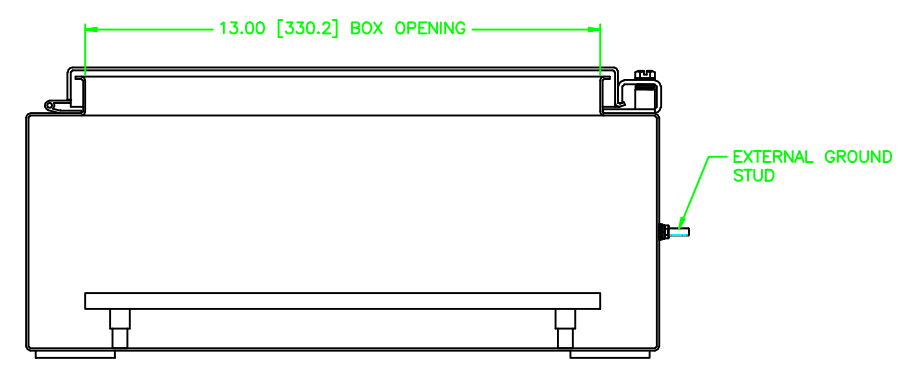
PADLOCK HASP

OPTIONAL GLAND PLATE OPENING

STAINLESS STEEL DOOR CLAMP (4) PLACES



SECTION C-C



SECTION B-B

EXTERNAL GROUND STUD

ENCLOSURE MATERIAL	CATALOG NUMBER	PART NUMBER
SS316L	TN4X8-161606U	M11166
SS304	TN4X-161606U	M11067

<p>NO SCALE DRAWING</p> <p>UNLESS OTHERWISE SPECIFIED DIMENSIONS ARE IN INCHES.</p> <p>SHEET METAL TOLERANCES NOT OTHERWISE SPECIFIED:</p> <p>FINN .01/.16"</p> <p>JXX ± .02"</p> <p>JXX ± .010"</p> <p>ANGLES ± 0°-30"</p> <p>MINIUM BEND RADIUS = .040" NOM</p> <p>WARPAGE = 1/16" PER FOOT</p> <p>ALL WELD SIZES ARE MIN.</p>	<p>ADALET</p> <p>A SCOTT PETER COMPANY</p> <p>Engineering Dynamics • Cable Assemblies</p> <p>2000 • 2010 • 2015 • 2020</p>	<p>TN4-161606 ENCLOSURE ASSEMBLY</p> <p>DESIGNED BY TT DATE 12/2/08</p> <p>FOR APPROVAL DATE APPROVAL 1=2.25</p> <p>DATE APPROVAL DATE APPROVAL</p> <p>SCALE D</p> <p>161606 10F1 A</p>
----------------------------------------------------------------------------------------------------------------------------------------------------------------------------------------------------------------------------------------------------------------------------------------------------------------------------------	-----------------------------------------------------------------------------------------------------------------------------------	-----------------------------------------------------------------------------------------------------------------------------------------------------------------------------------------