

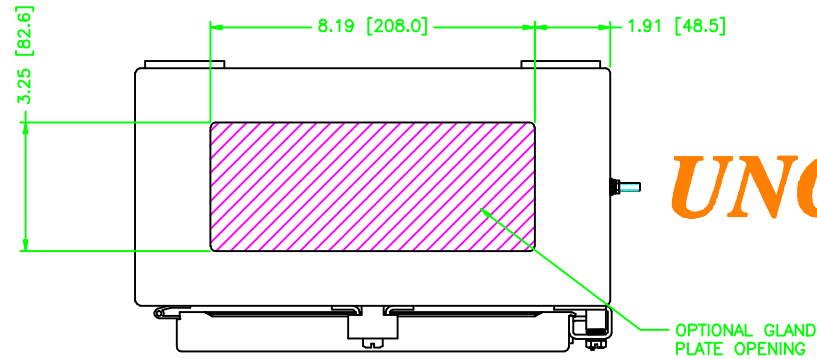
REV	REVISION	BY	DCW	DATE
A	INITIAL RELEASE	TT		12/5/08

161206

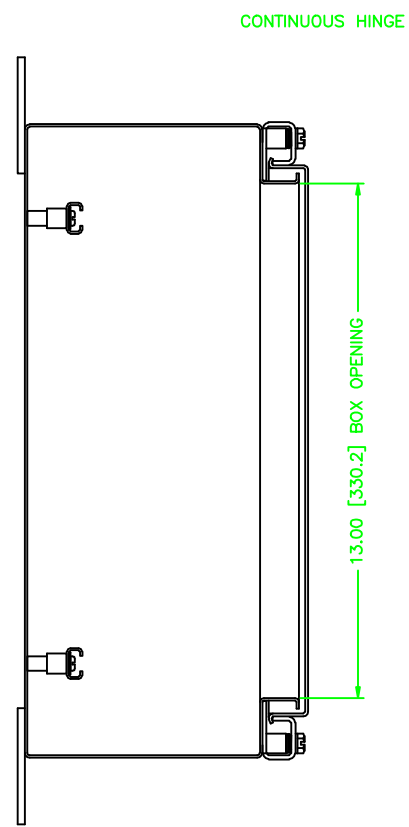
# UNCONTROLLED DRAWING

(DATA SUBJECT TO CHANGE WITHOUT NOTICE)

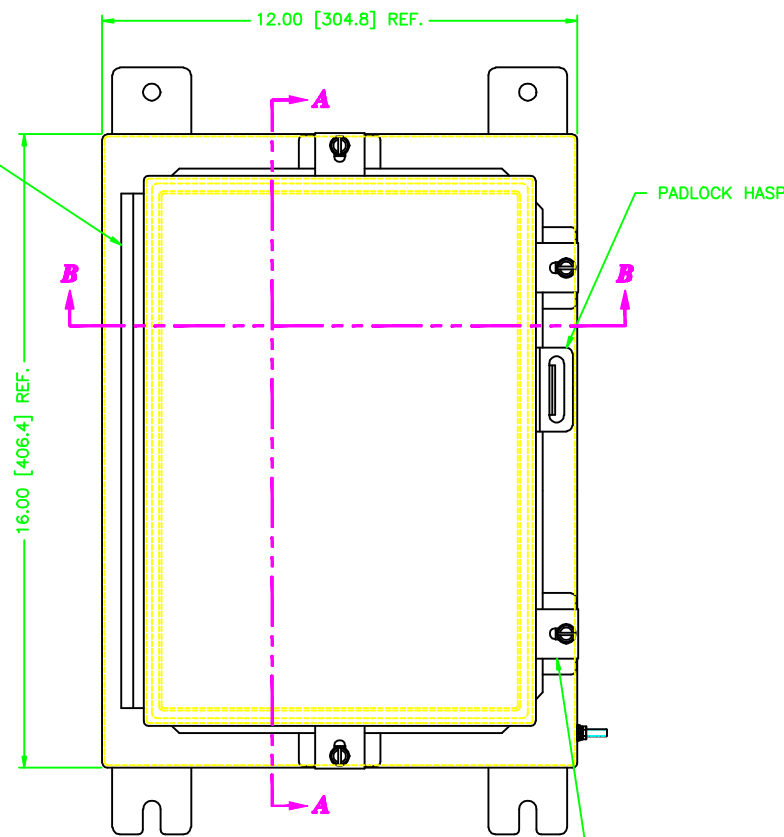
FOR ADDITIONAL HELP CONTACT [ENGINEERING@ADALET.com](mailto:ENGINEERING@ADALET.com)



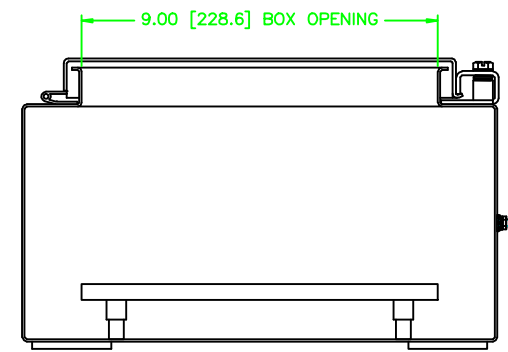
OPTIONAL GLAND PLATE OPENING



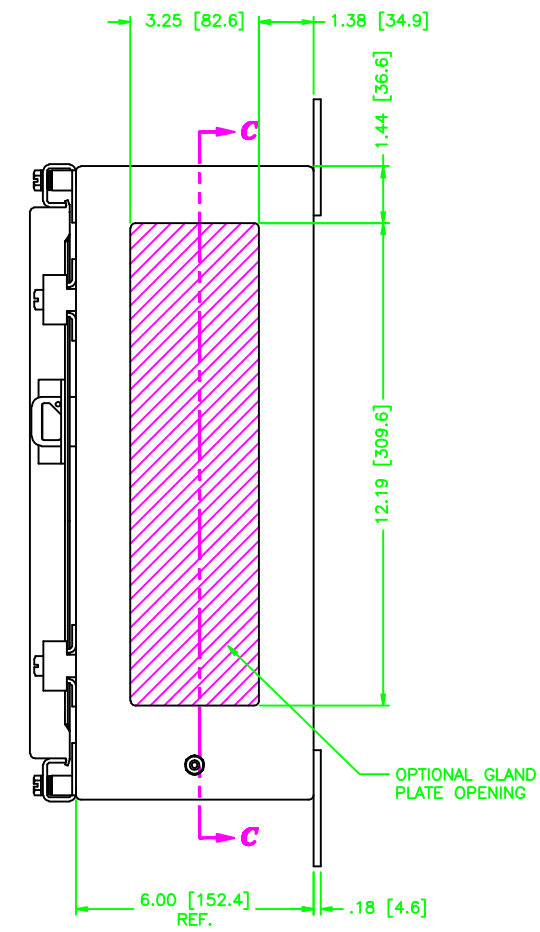
**SECTION A-A**



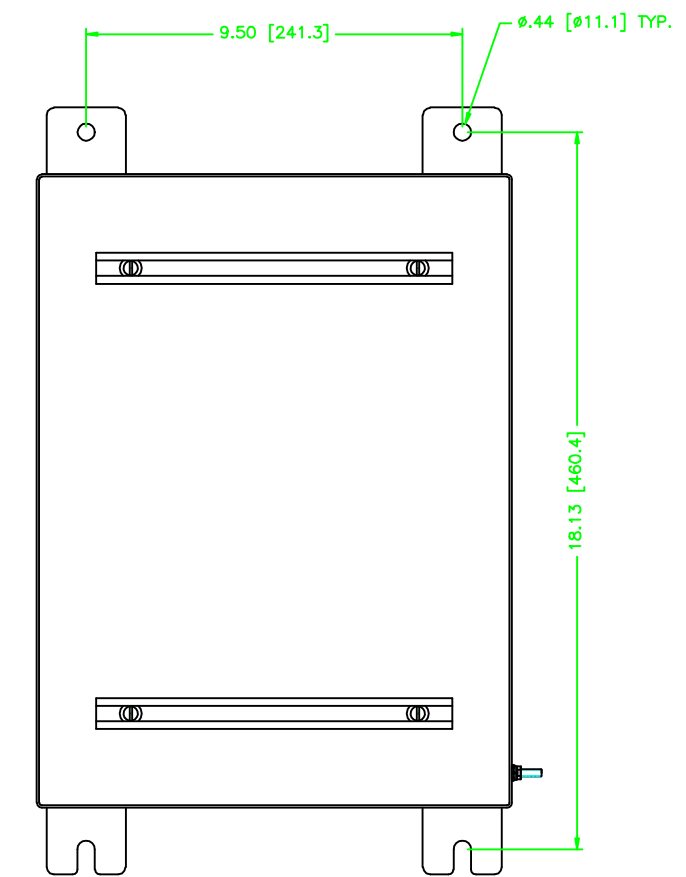
STAINLESS STEEL DOOR CLAMP (4) PLACES



**SECTION B-B**



OPTIONAL GLAND PLATE OPENING



**SECTION C-C**

ENCLOSURE MATERIAL	CATALOG NUMBER	PART NUMBER
SS316L	TN4X8-161206U	M11164
SS304	TN4X-161206U	M11086

<p>NO BODY SCALE DRAWING</p> <p>UNLESS OTHERWISE SPECIFIED DIMENSIONS ARE IN INCHES.</p> <p>RESIST MINIMAL TOLERANCES NOT OTHERWISE SPECIFIED:</p> <p>FING .01/.16"</p> <p>1/2" &amp; .40"</p> <p>3/16" &amp; .010"</p> <p>ANGLES &amp; 0°-30°</p> <p>MINI BEND RADIUS = .040" NOM</p> <p>SWEEP = 1/16" PER FOOT</p> <p>ALL WELD BEZES ARE MIN.</p>	<p><b>ADALET</b></p> <p>A SCOTT FITZGER COMPANY</p> <p>Automation Systems • Cable Assemblies</p> <p>8000 Westpark • 504 444-9200</p> <p>FOR MORE INFORMATION VISIT US AT <a href="http://www.adalet.com">www.adalet.com</a></p> <p>PLEASE CONTACT US FOR QUOTES AND APPROVALS</p> <p>DO NOT REPRODUCE OR TRANSMIT WITHOUT PERMISSION FROM ADALET IN ANY MANNER.</p>	<p>TN4-161206 ENCLOSURE ASSEMBLY</p> <p>DESIGNED BY: CLB</p> <p>DATE: 7/8/03</p> <p>PLANT SCALE: 1=2.25</p> <p>APPROVAL: [Signature]</p> <p>DATE: [Date]</p> <p>REV: D</p> <p>161206 10F1 A</p>
---	---	---