

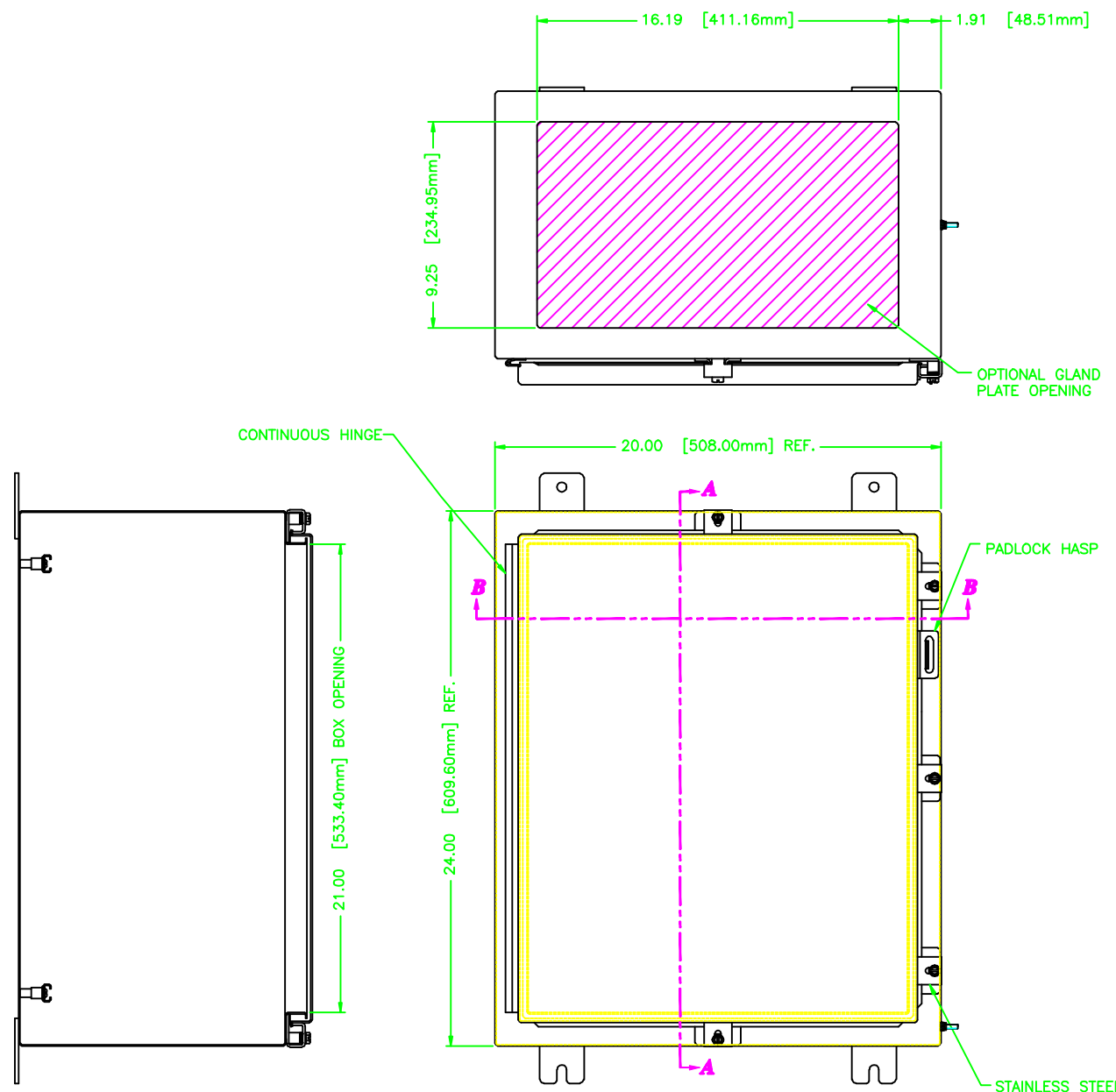
242012

REV	REVISION	BY	ECN	DATE
A	INITIAL RELEASE	TT		12/2/08

# UNCONTROLLED DRAWING

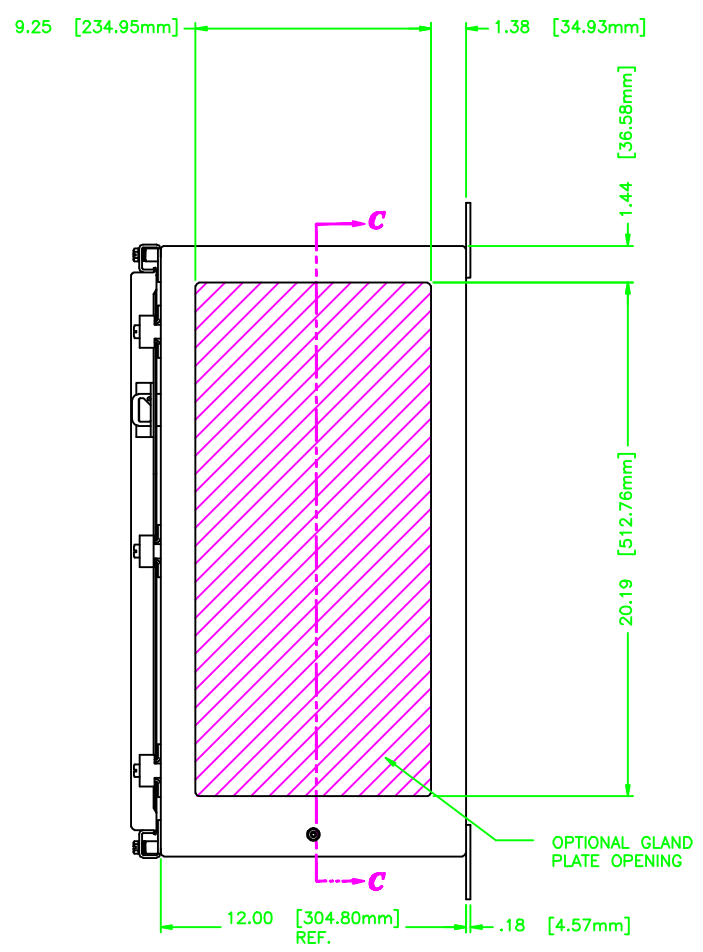
(DATA SUBJECT TO CHANGE WITHOUT NOTICE)

FOR ADDITIONAL HELP CONTACT [ENGINEERING@ADALET.com](mailto:ENGINEERING@ADALET.com)

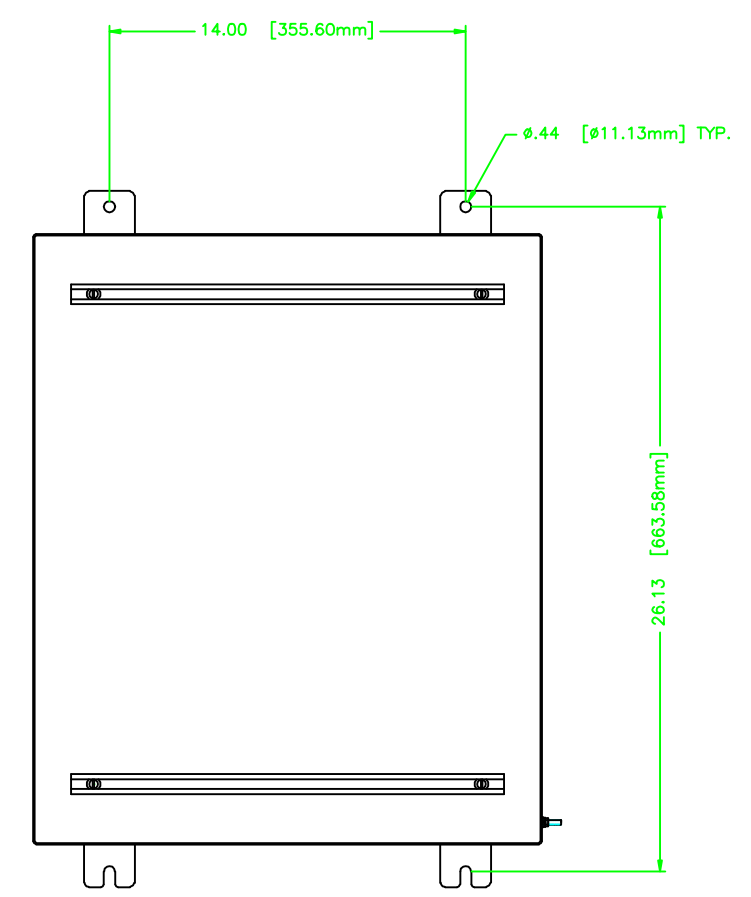


**SECTION A-A**

**SECTION B-B**



**SECTION C-C**



ENCLOSURE MATERIAL	CATALOG NUMBER	PART NUMBER
SS316L	TN4X6-242012U	M11199
SS304	TN4X-242012U	M11133

<p>UNLESS OTHERWISE SPECIFIED DIMENSIONS ARE IN INCHES.</p> <p>SHEET METAL TOLERANCES NOT OTHERWISE SPECIFIED:</p> <p>FINN ± 1/16"</p> <p>JXX ± .02"</p> <p>KXX ± .010"</p> <p>ANGLES ± 0°-30"</p> <p>INSIDE BEND RADIUS = .040" NOM.</p> <p>WARPAGE = 1/16" PER FOOT</p> <p>ALL WELD SIZES ARE MIN.</p>		<p><b>ADALET</b></p> <p>A SCOTT FETZER COMPANY</p> <p>Enclosure Systems • Cable Accessories</p> <p>6000 S. 10th St. • Mesa, AZ 85209 • USA</p> <p>NOTICE TO PERSONS RECEIVING THIS DRAWING: ADALET CLAIMS PROPRIETARY RIGHTS IN THE MATERIALS INCORPORATED HEREIN. THIS DRAWING IS ISSUED BY ADALET FOR ENGINEERING INFORMATION ONLY AND MAY NOT BE REPRODUCED OR USED TO MANUFACTURE, WITHOUT EXPRESS WRITTEN PERMISSION FROM ADALET TO THE USER.</p>	<p>TN4-242012 ENCLOSURE ASSEMBLY</p> <p>DRAWN BY TT DATE 12/3/08</p> <p>REV APPROVAL MFG APPROVAL</p> <p>SCALE 1=3.5</p> <p>DWG NO 242012 SHEET 10F1</p>
--	--	--	--