

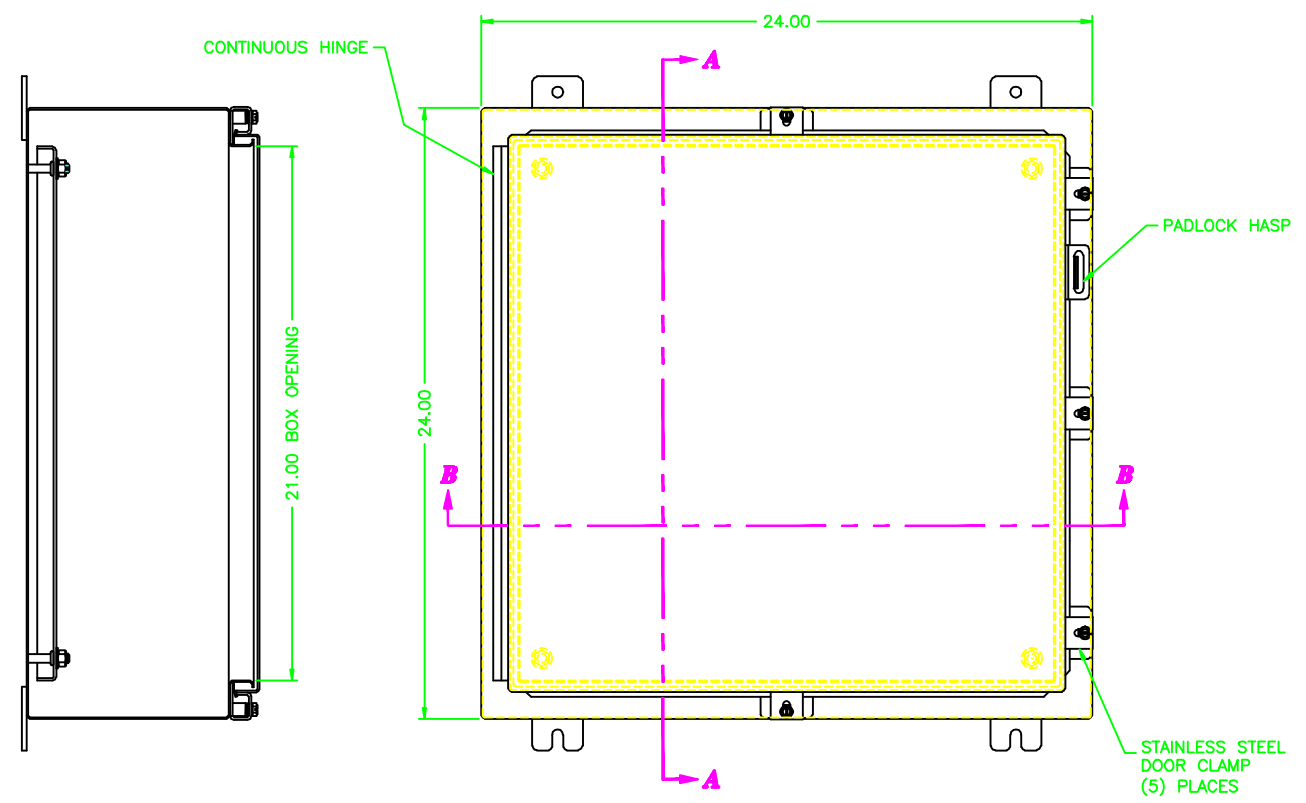
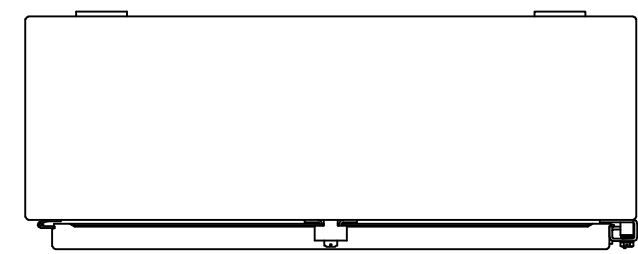
242408

REV	REVISION	BY	BCN	DATE
A	INITIAL RELEASE	CLB		7/9/03

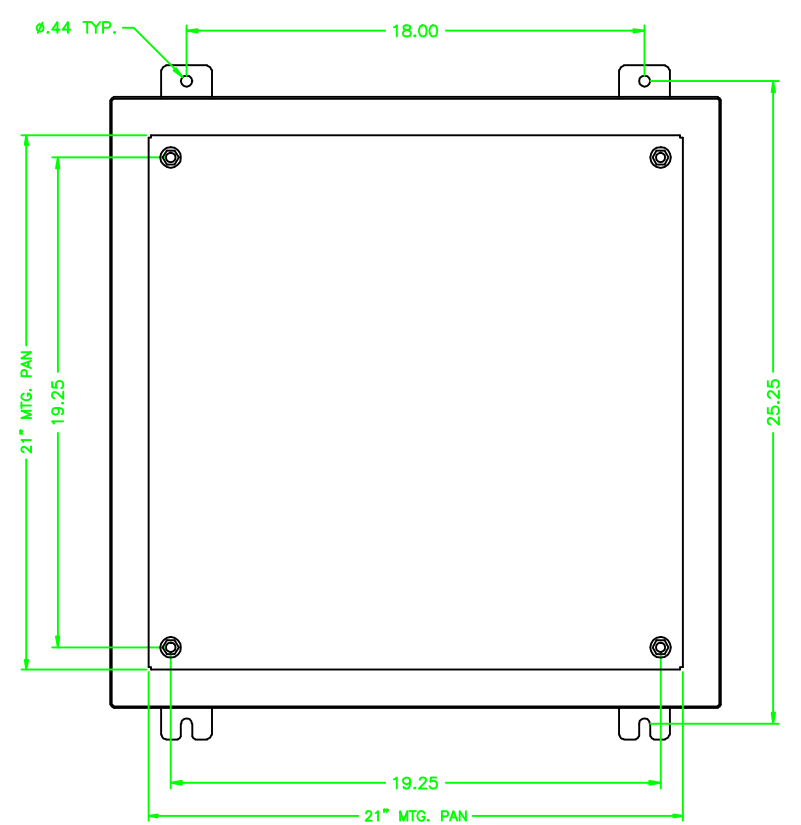
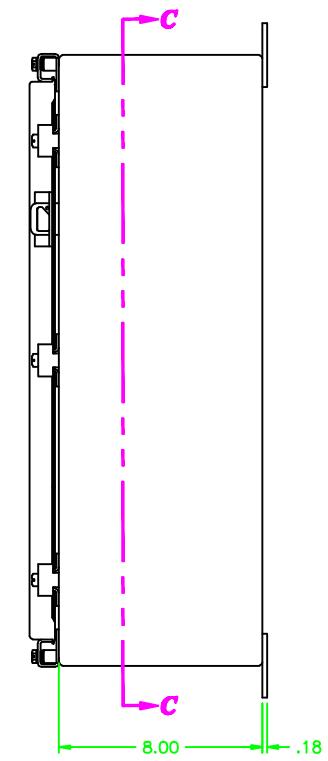
UNCONTROLLED DRAWING

(DATA SUBJECT TO CHANGE WITHOUT NOTICE)

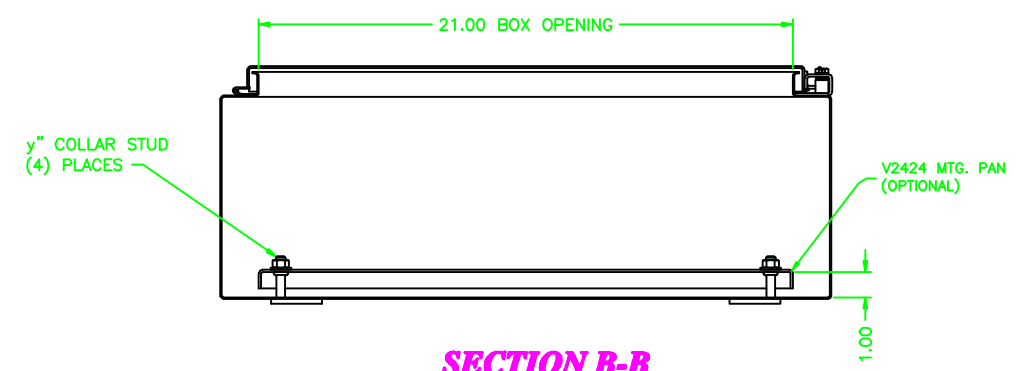
FOR ADDITIONAL HELP CONTACT ENGINEERING@ADALET.com



SECTION A-A



SECTION C-C



SECTION B-B

ENCLOSURE MATERIAL	CATALOG NUMBER	PART NUMBER
88916L	N4XB-242408	M10231
88804	N4X-242408	M10137

<p>NO SCALE DRAWING</p> <p>UNLESS OTHERWISE SPECIFIED DIMENSIONS ARE IN INCHES.</p> <p>SHEET METAL TOLERANCES NOT OTHERWISE SPECIFIED:</p> <p>FINN ±.1/16"</p> <p>JXX ±.03"</p> <p>JXX ±.010"</p> <p>ANGLES ± 0°-30"</p> <p>INSIDE BEND RADIUS = .040" NOM.</p> <p>WARPAGE = 1/16" PER FOOT</p> <p>ALL WELD SIZES ARE MIN.</p>		<p>ADALET</p> <p>A SCOTT FETZER COMPANY</p> <p>Enclosure Systems • Cable Accessories</p> <p>Customer Service • 800-441-4444</p> <p>NOTICE TO PERSONS RECEIVING THIS DRAWING: ADLET CLAIMS PROPRIETARY RIGHTS IN THE MATERIALS, METHODS, AND EQUIPMENT USED IN THE DESIGN AND MANUFACTURE OF THIS DRAWING. THIS DRAWING IS NOT TO BE REPRODUCED OR USED IN ANY MANNER WITHOUT WRITTEN PERMISSION FROM ADALET IS THE USER.</p> <p>MATERIAL: #14 GA.</p>	<p>N4-242408 ENCLOSURE ASSEMBLY</p> <p>DRAWN BY: CLB</p> <p>DATE: 7/9/03</p> <p>REV APPROVAL: M10231</p> <p>REV APPROVAL: M10137</p> <p>REV DATE: D</p> <p>DWG NO: 242408</p> <p>SHEET: 10F1</p> <p>REV: A</p>
--	--	--	--