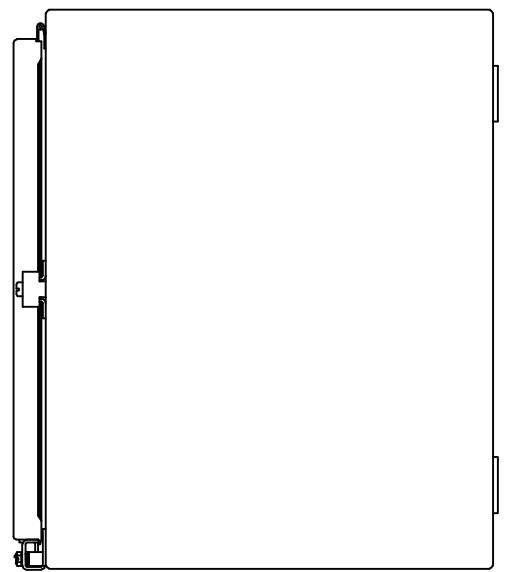


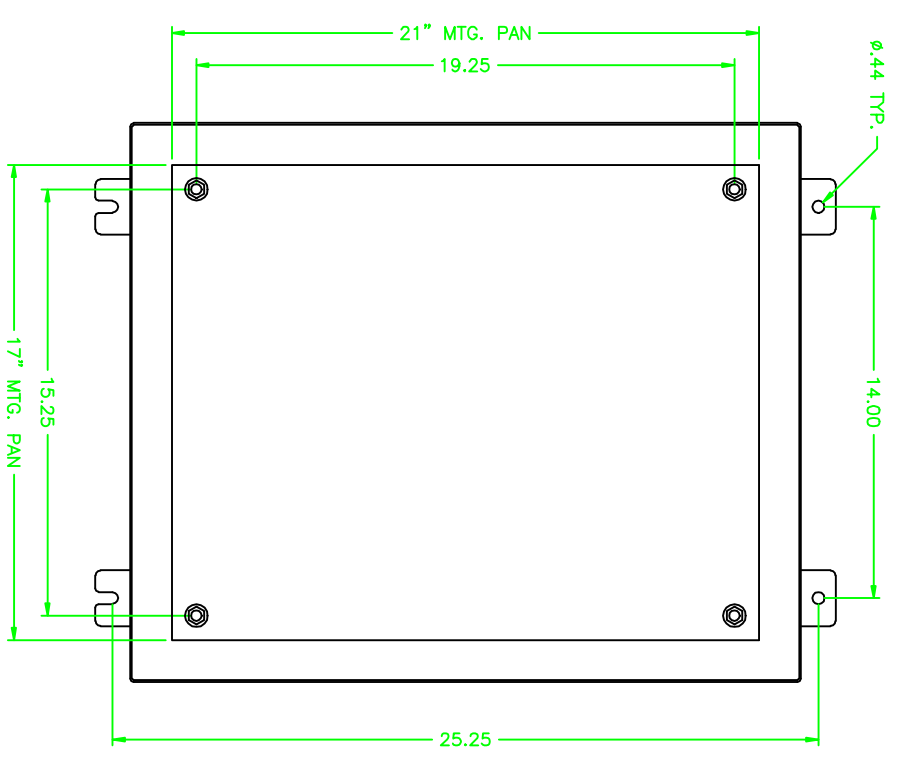
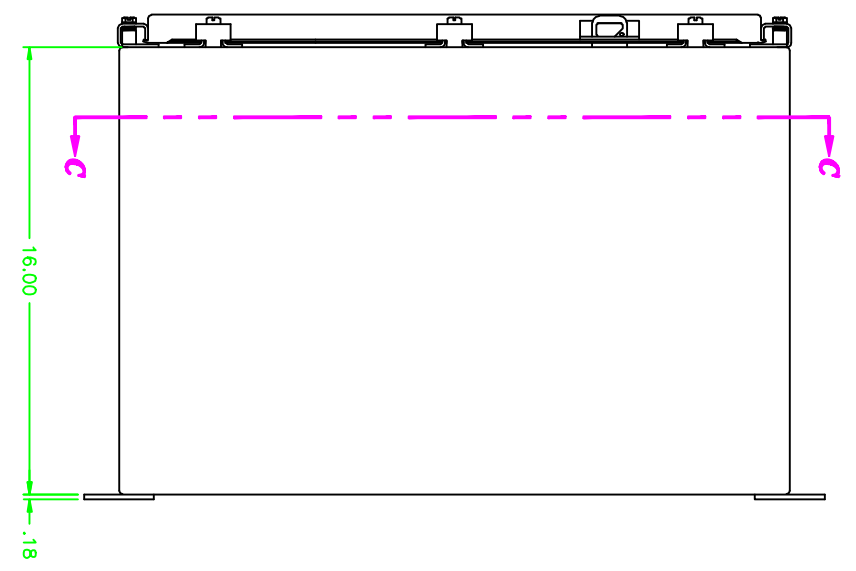
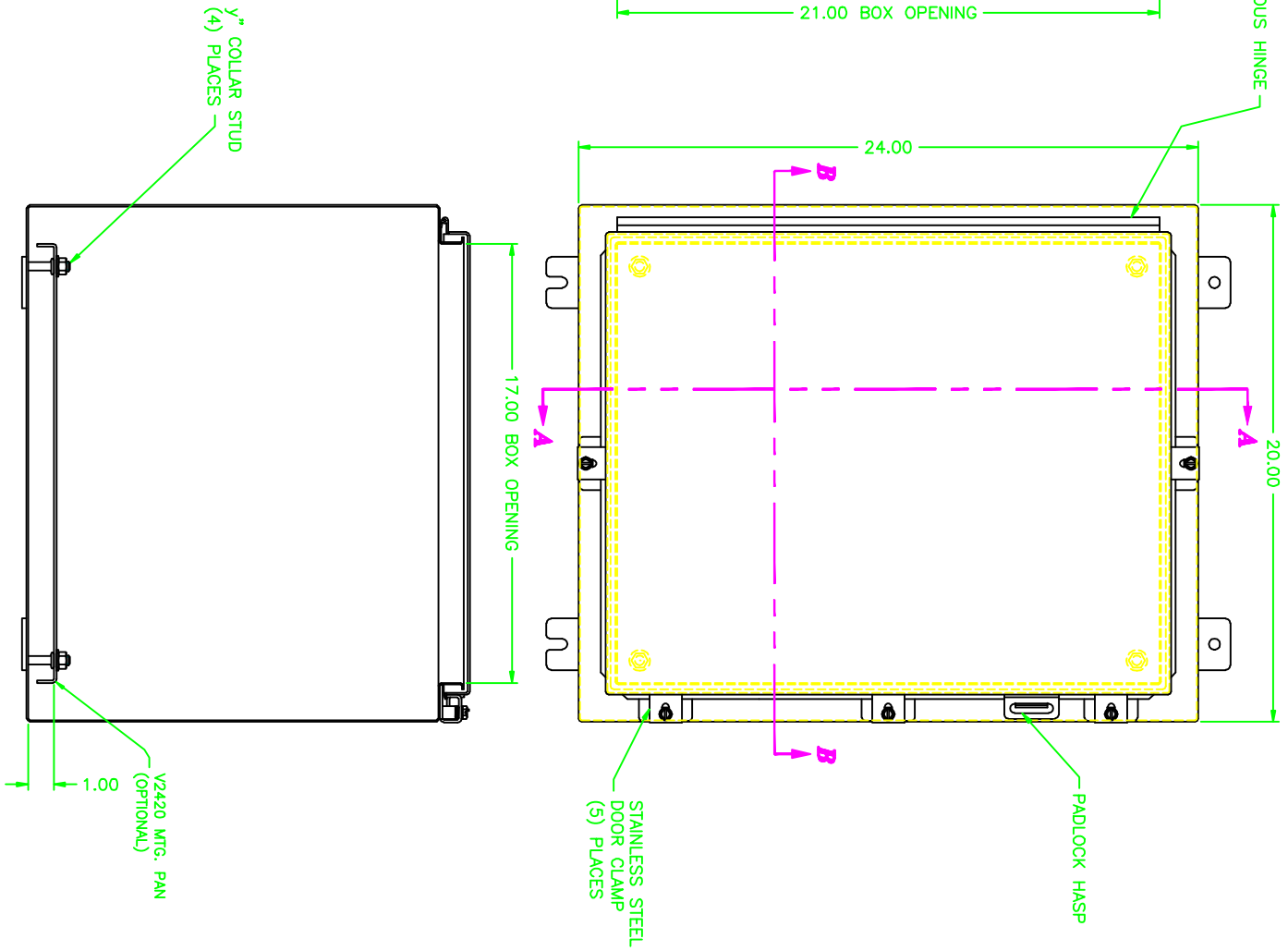
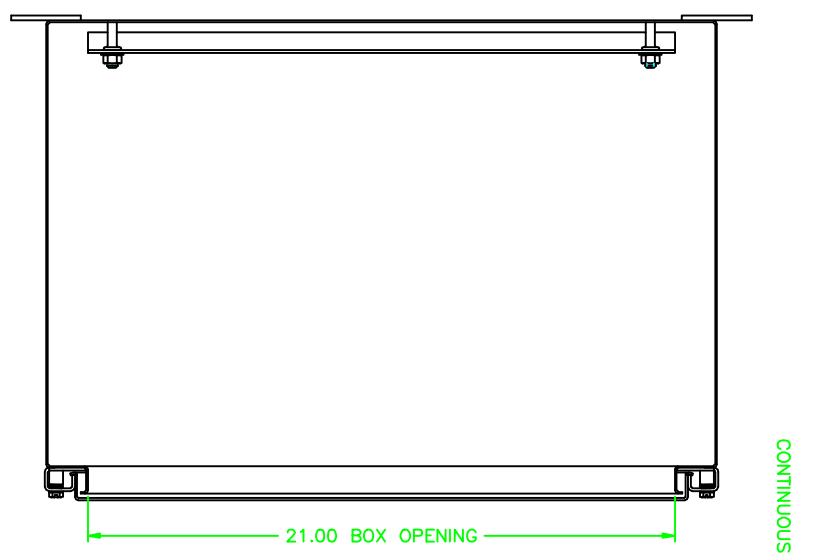
REV	REVISION	BY	ECN	DATE
A	INITIAL RELEASE	CLB		9/15/03

242016



UNCONTROLLED DRAWING

(DATA SUBJECT TO CHANGE WITHOUT NOTICE)
 FOR ADDITIONAL HELP CONTACT ENGINEERING@ADALET.COM



ENCLOSURE MATERIAL	CATALOG NUMBER	PART NUMBER
304SS16	NAX6-242016	M10270
30304	NAX-242016	M10181

ADALET
 A SCOTT FITZGER COMPANY
 4000 W. 100th Street, Suite 100
 Overland Park, KS 66204
 Phone: 913.241.1100
 Fax: 913.241.1101
 Email: info@adalet.com

DO NOT SOLID BRASSING
 DIMENSIONS ARE IN INCHES
 UNLESS OTHERWISE SPECIFIED
 SURFACE FINISH: POLISHED
 TOLERANCES: ±.010"
 ANGLES: ±0°-30"
 HOLE DRILLING: ±.005"
 FINISH: 1/16" PER FOOT
 ALL WELD STITCH PER AWS.

DATE: 8/15/03
BY: CLB
SCALE: 1=3.5
APP'D: D
CHK'D: D
REV. NO.: 242016
REV. DATE: 10F1 A