

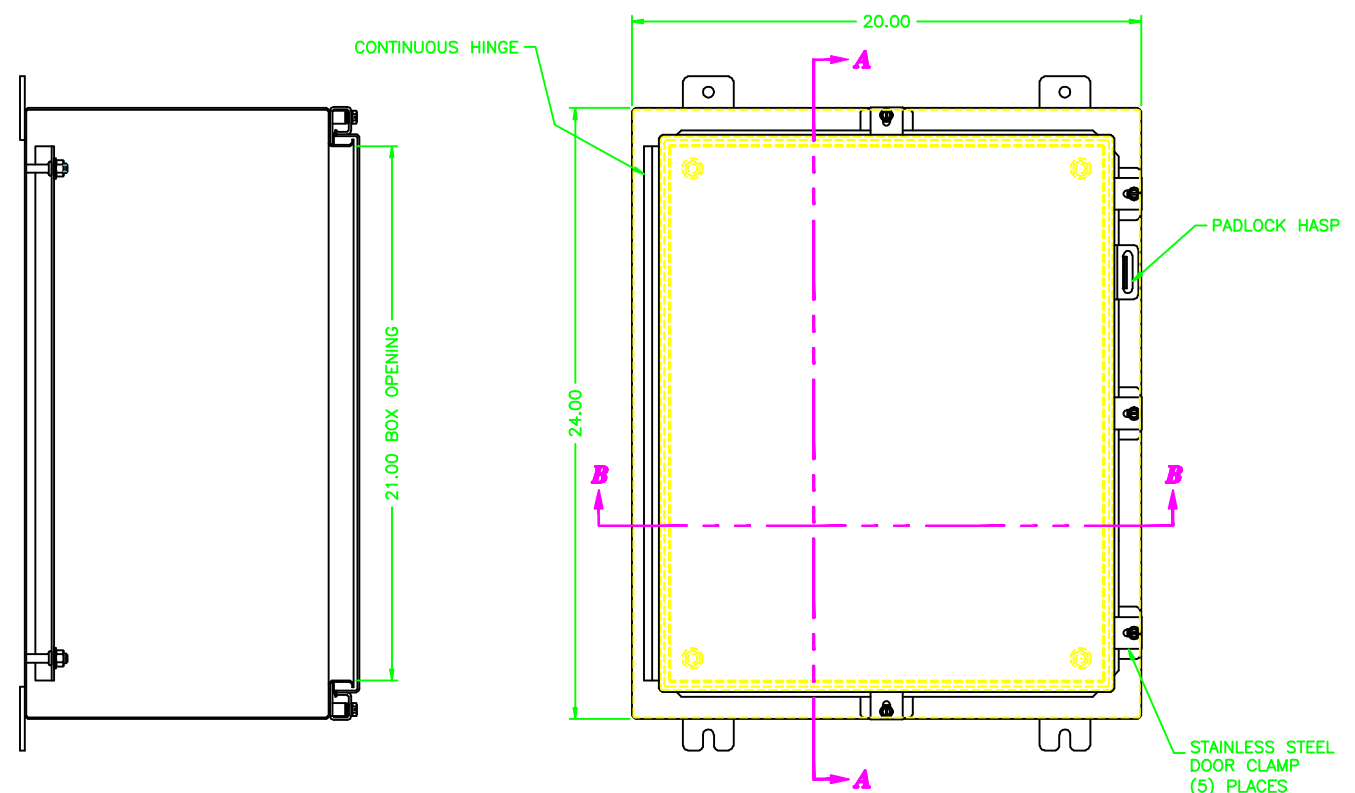
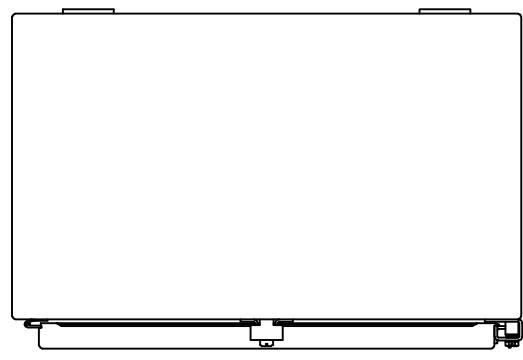
242012

REV	REVISION	BY	BCN	DATE
A	INITIAL RELEASE	CLB		7/17/03

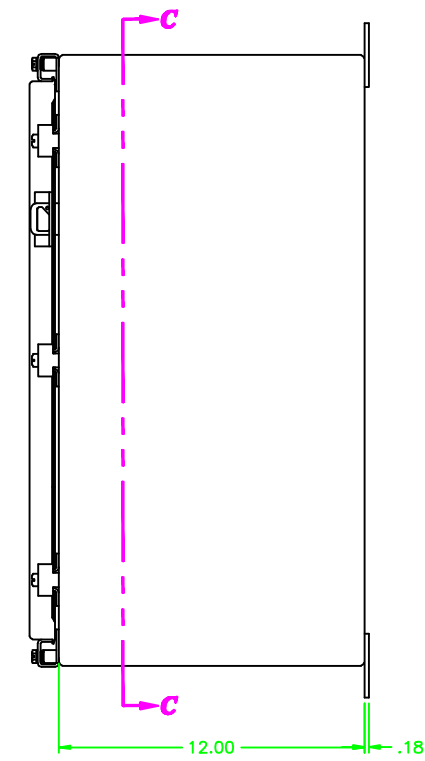
UNCONTROLLED DRAWING

(DATA SUBJECT TO CHANGE WITHOUT NOTICE)

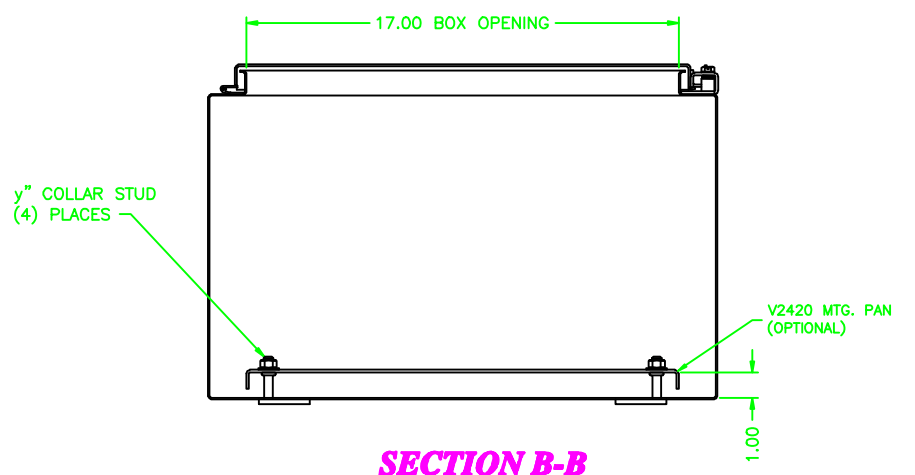
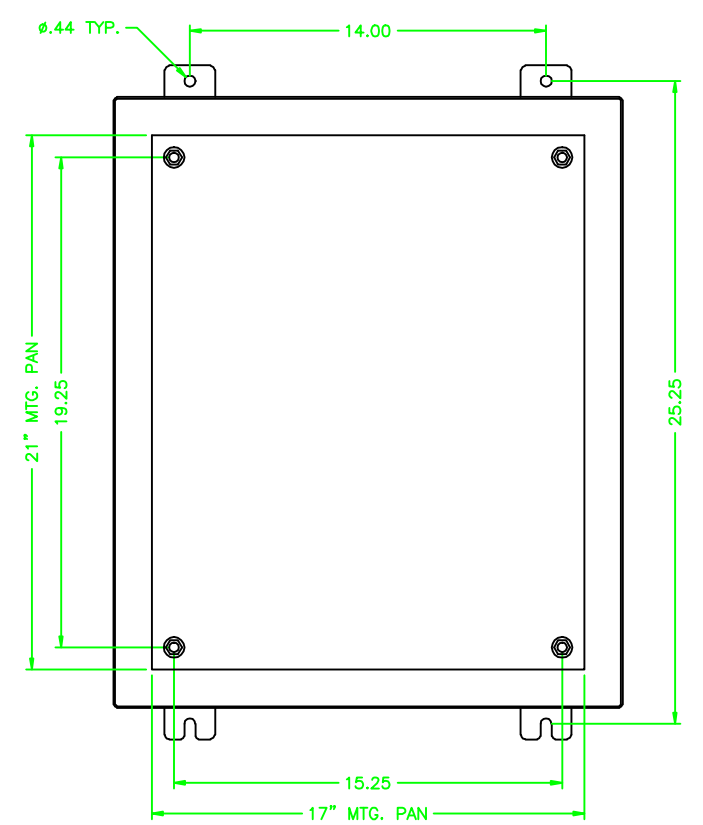
FOR ADDITIONAL HELP CONTACT ENGINEERING@ADALET.com



SECTION A-A



SECTION C-C



SECTION B-B

ENCLOSURE MATERIAL	CATALOG NUMBER	PART NUMBER
304	N4XB-242012	M10283
304	N4X-242012	M10189

<p>UNLESS OTHERWISE SPECIFIED DIMENSIONS ARE IN INCHES.</p> <p>SHEET METAL TOLERANCES NOT OTHERWISE SPECIFIED:</p> <p>FINN ± 1/16"</p> <p>JCK ± .02"</p> <p>JCK ± .010"</p> <p>ANGLES ± 0°-30"</p> <p>INSIDE BEND RADIUS = .040" NOM.</p> <p>WARPAGE = 1/16" PER FOOT</p> <p>ALL WELD SIZES ARE MIN.</p>		<p>ADALET</p> <p>A SCOTT FETZER COMPANY</p> <p>Enclosure Systems • Cable Accessories</p> <p>Customer Service 800-441-4444</p>	<p>N4-242012 ENCLOSURE ASSEMBLY</p> <p>DRAWN BY CLB DATE 7/17/03</p> <p>REV APPROVAL 1=3.5</p> <p>REV APPROVAL</p> <p>REV SIZE D</p> <p>REV NO 242012 REV 10F1 A</p>
--	--	--	--