

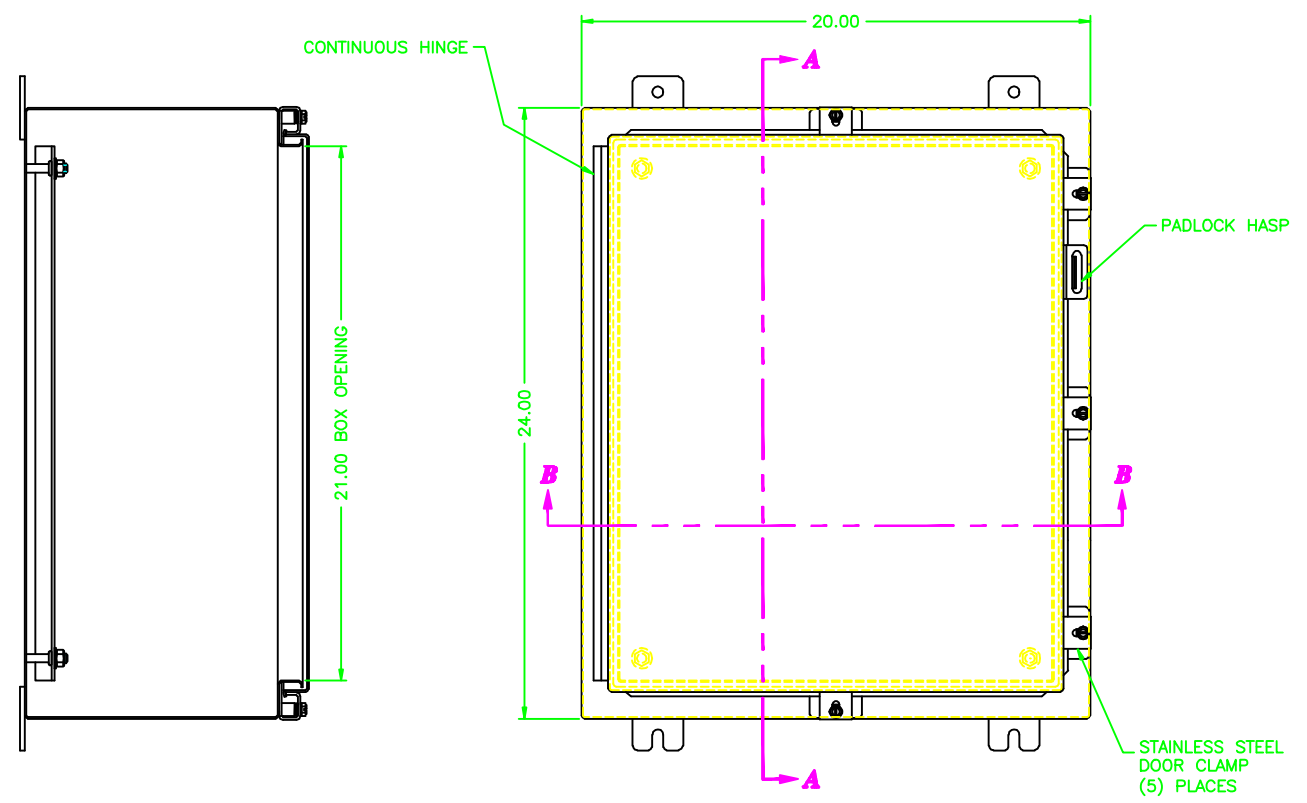
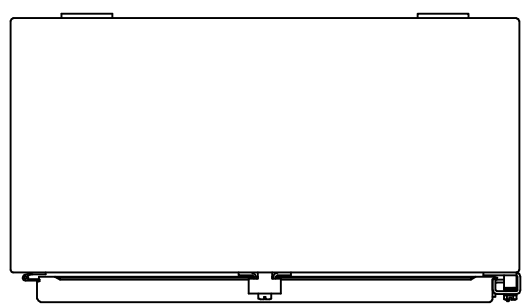
242010

REV	REVISION	BY	DCN	DATE
A	INITIAL RELEASE	CLB		7/11/03

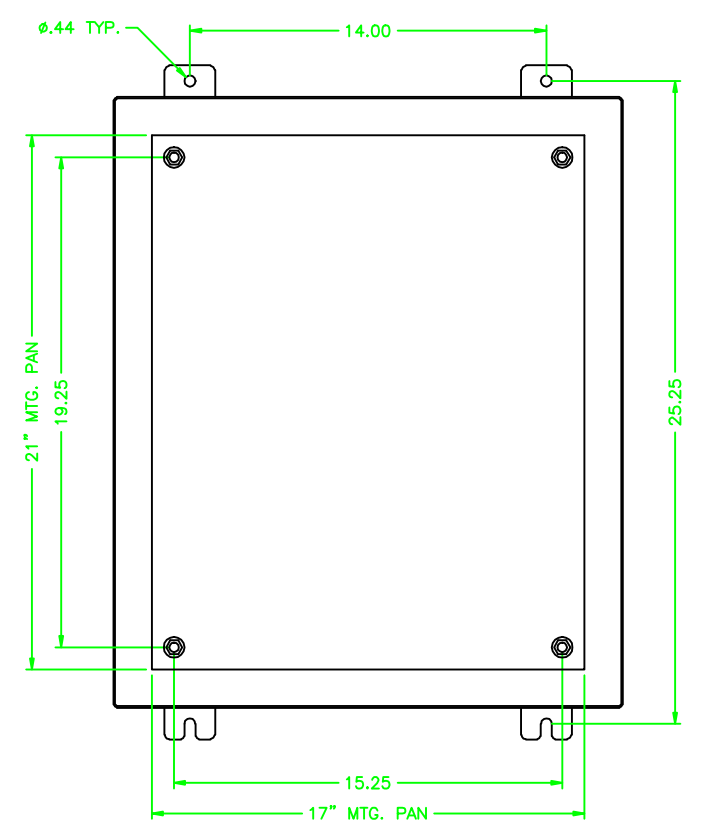
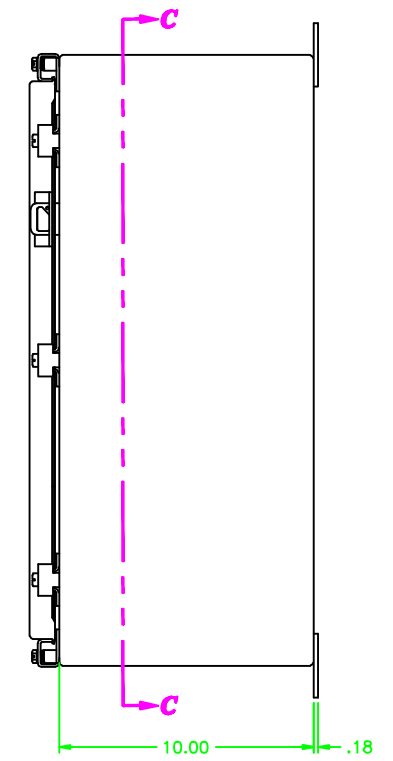
UNCONTROLLED DRAWING

(DATA SUBJECT TO CHANGE WITHOUT NOTICE)

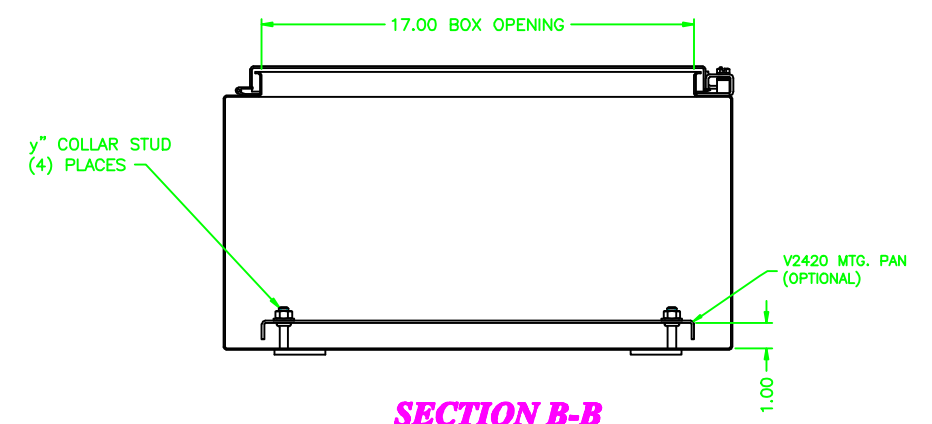
FOR ADDITIONAL HELP CONTACT ENGINEERING@ADALET.com



SECTION A-A



SECTION C-C



SECTION B-B

ENCLOSURE MATERIAL	CATALOG NUMBER	PART NUMBER
8891L	N4XB-242010	M10281
88904	N4X-242010	M10157

DO NOT SCALE DRAWING		UNLESS OTHERWISE SPECIFIED DIMENSIONS ARE IN INCHES.		SHEET METAL TOLERANCES NOT OTHERWISE SPECIFIED:	
FINISH	AS SUPPLIED	FRAC	±1/16"	DRIVER	CLB
WARRANTY	1 YEAR	DEC	±.02"	DATE	7/11/03
		ANG	±.010"	APPROVAL	1=3.5
		INS	± 0°-30°	APPROVAL	D
		WAR	±.005" NOM.	DWG NO	242010
		ALL	WELD SIZES ARE MIN.	REV	10F1
				REV	A