

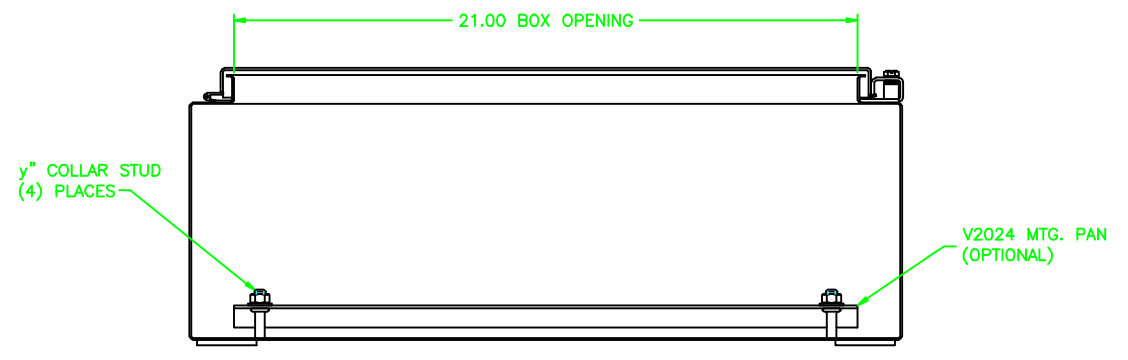
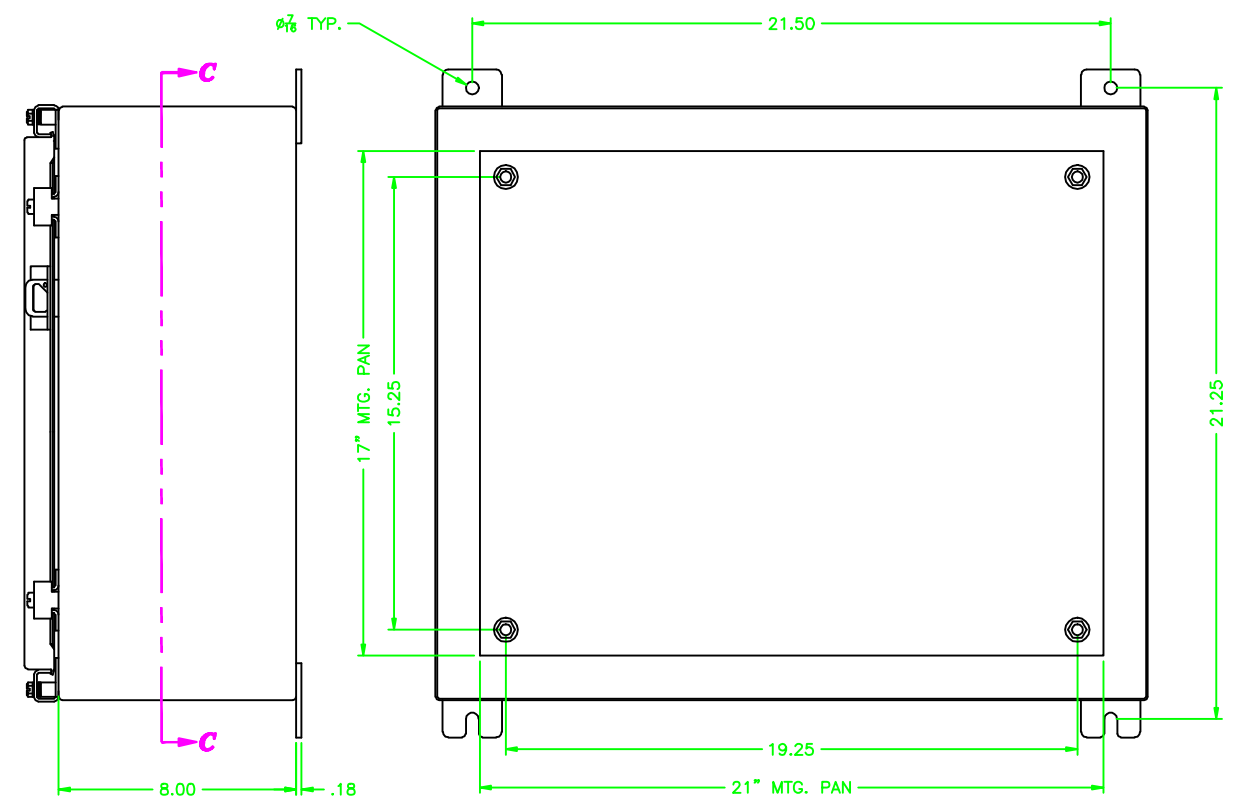
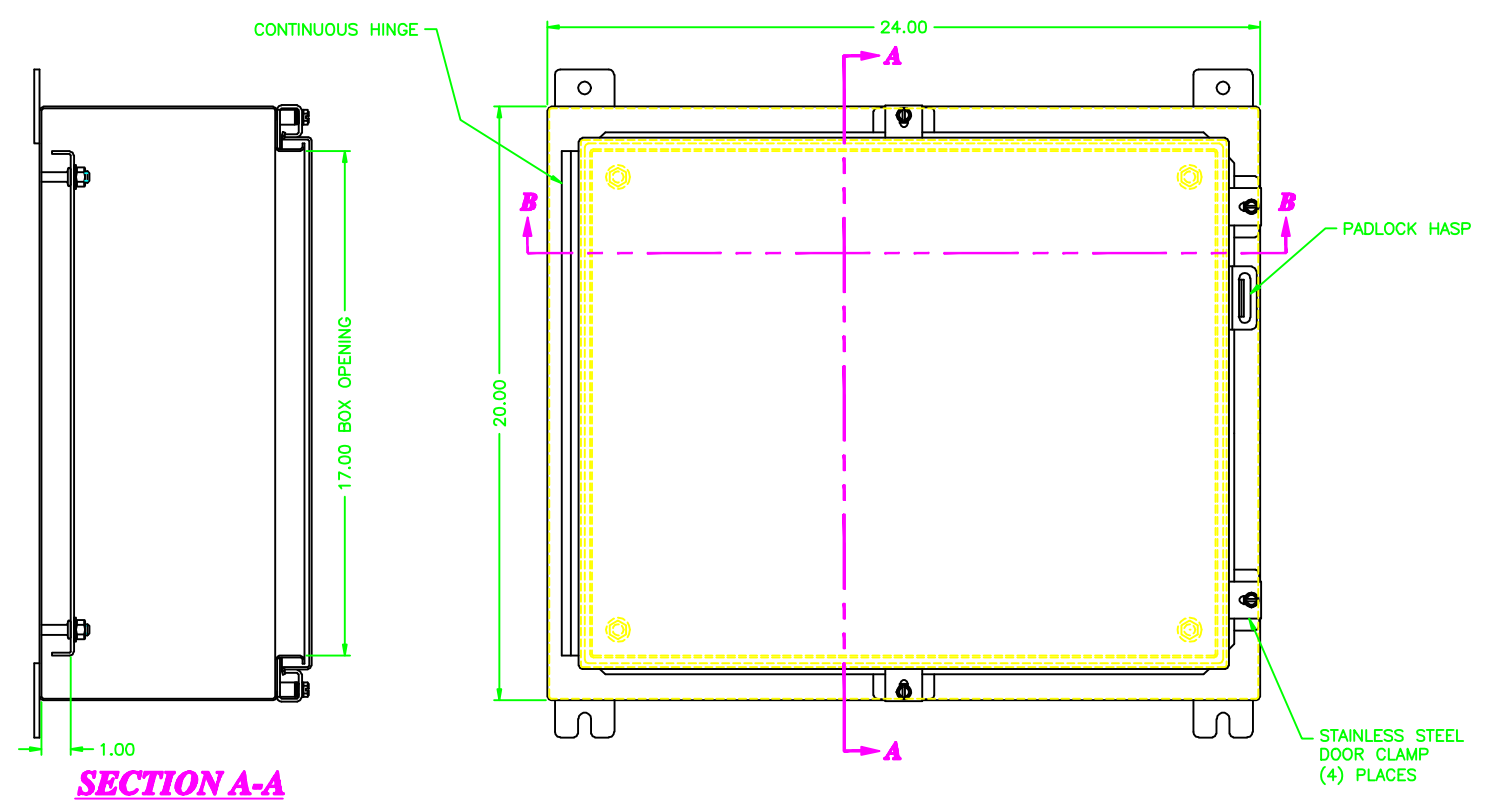
202408

REV	REVISION	BY	DCN	DATE
A	INITIAL RELEASE	CLB		7/9/03

UNCONTROLLED DRAWING

(DATA SUBJECT TO CHANGE WITHOUT NOTICE)

FOR ADDITIONAL HELP CONTACT ENGINEERING@ADALET.com



ENCLOSURE MATERIAL	CATALOG NUMBER	PART NUMBER
SS316L	N4XB-202408	M10227
SS304	N4X-202408	M10133

<p>UNLESS OTHERWISE SPECIFIED DIMENSIONS ARE IN INCHES.</p> <p>SHEET METAL TOLERANCES NOT OTHERWISE SPECIFIED:</p> <p>FINN ±1/16"</p> <p>JXX ±.02"</p> <p>JXX ±.010"</p> <p>ANGLES ± 0°-30"</p> <p>INSIDE BEND RADIUS = .040" NOM.</p> <p>WARPAGE = 1/16" PER FOOT</p> <p>ALL WELD SIZES ARE MIN.</p>		<p>ADALET</p> <p>A SCOTT FETZER COMPANY</p> <p>Enclosure Systems • Cable Accessories</p> <p>General Contractors • E&C</p>	<p>DATE: 7/9/03</p> <p>DRAWN BY: CLB</p> <p>REV: 1=3</p> <p>SCALE: 1=3</p> <p>APP'D: D</p>
<p>NOTICE TO PERSONS RECEIVING THIS DRAWING: ADALET CLAIMS PROPRIETARY RIGHTS IN THE MATERIALS, METHODS, AND EQUIPMENT DESCRIBED HEREIN. THIS DRAWING IS ISSUED IN CONFIDENCE FOR ENGINEERING INFORMATION ONLY AND MAY NOT BE REPRODUCED OR USED TO MANUFACTURE, WITHOUT WRITTEN PERMISSION FROM ADALET TO THE USER.</p>		<p>N4-202408 ENCLOSURE ASSEMBLY</p> <p>202408 10F1 A</p>	