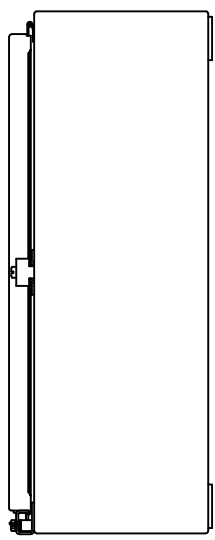


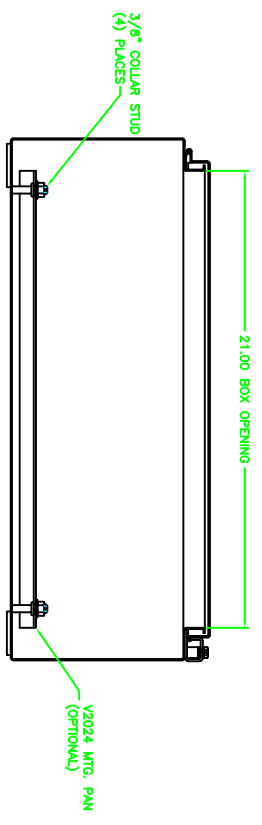
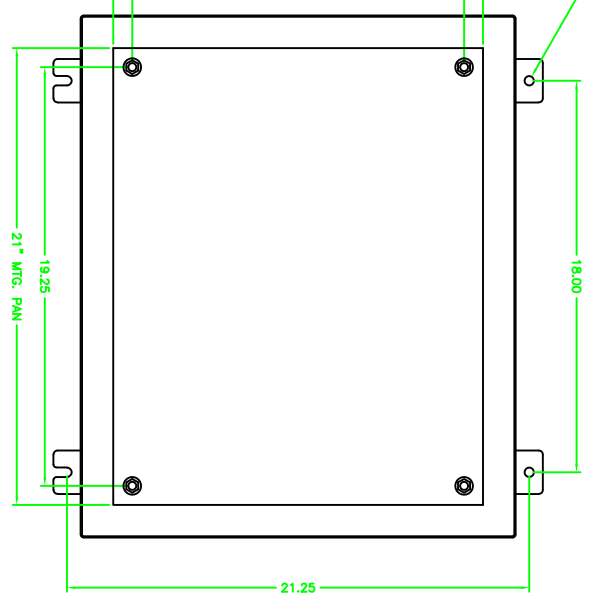
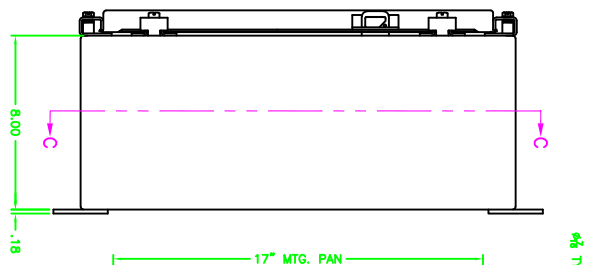
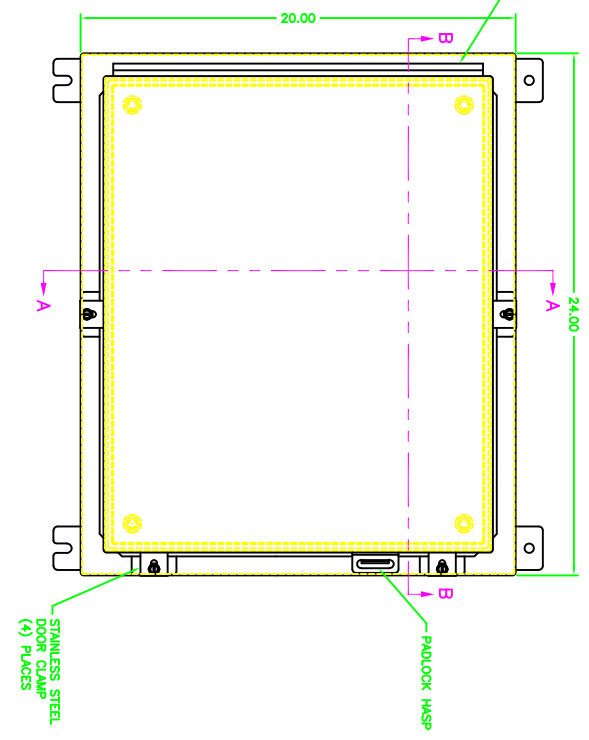
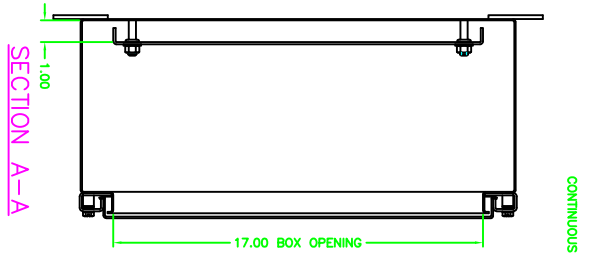
REV	DATE	BY	CHK	APP
A				

202408



UNCONTROLLED DRAWING

(DATA SUBJECT TO CHANGE WITHOUT NOTICE)
 FOR ADDITIONAL HELP CONTACT ENGINEERING@ADALET.COM



ENCLOSURE MATERIAL	CATALOG NUMBER	PART NUMBER
SS316L	N406-202408	M1027
SS304	N406-202408	M10183

		M4-202408 ENCLOSURE ASSEMBLY	
DATE	7/9/03	REV	1-3
BY		CHK	D
APP		APP	
202408	10F1	A	