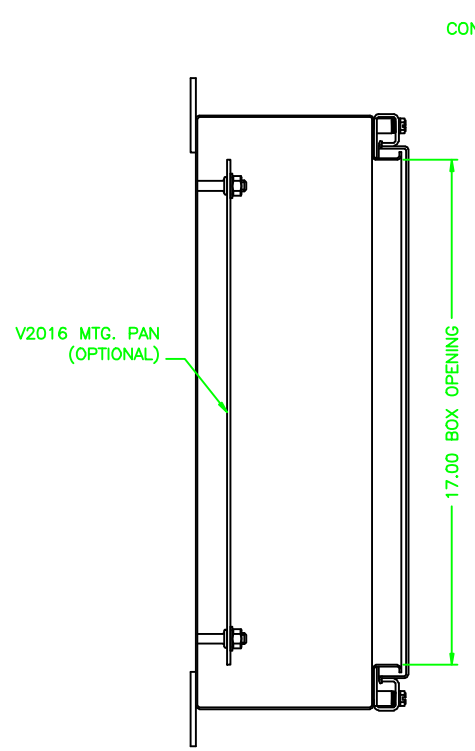
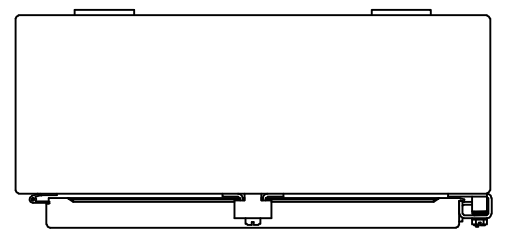


201606

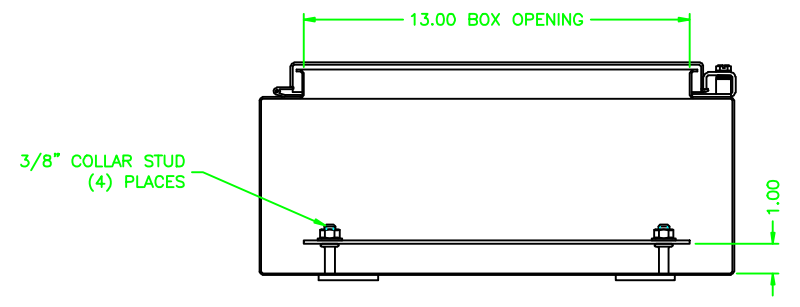
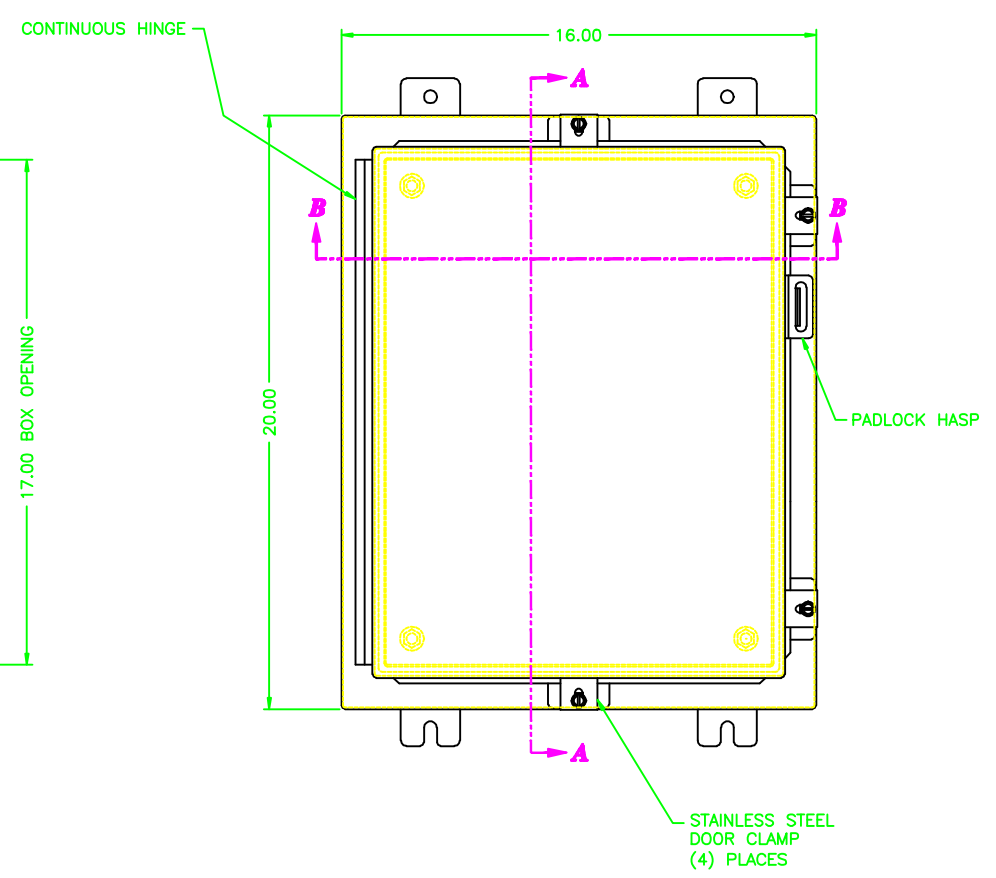
REV	REVISION	BY	BCN	DATE
A	INITIAL RELEASE	CLB		6/4/03

UNCONTROLLED DRAWING

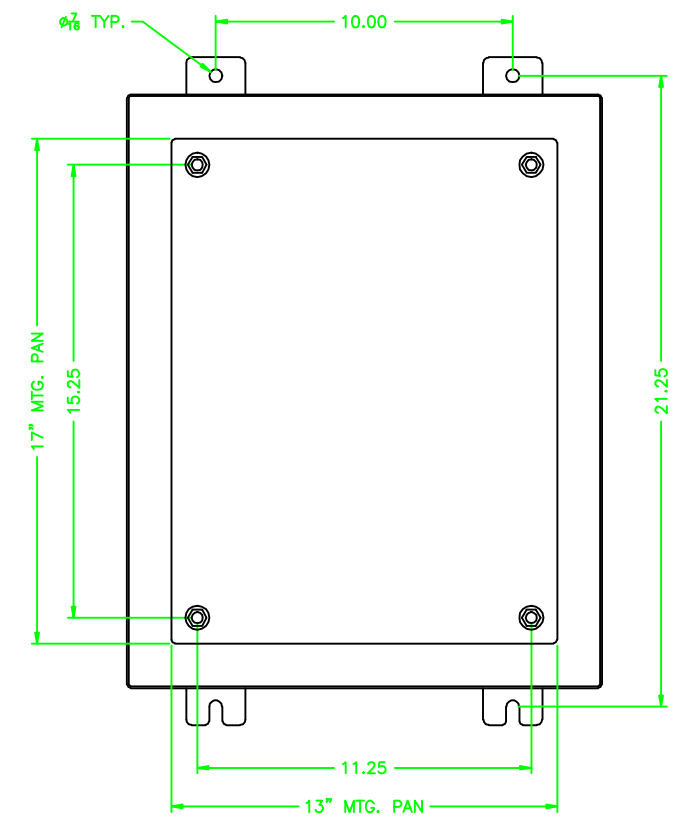
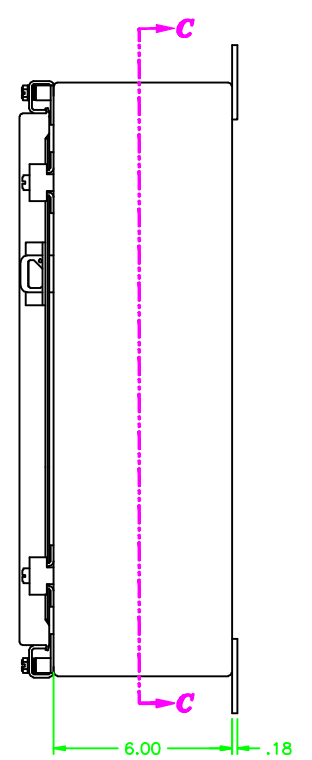
(DATA SUBJECT TO CHANGE WITHOUT NOTICE)
 FOR ADDITIONAL HELP CONTACT ENGINEERING@ADALET.com



SECTION A-A



SECTION B-B



SECTION C-C

ENCLOSURE MATERIAL	CATALOG NUMBER	PART NUMBER
SS316L	N4X-201806	M10207
SS304	N4X-201806	M10113

<p>NO SCALE DRAWING</p> <p>UNLESS OTHERWISE SPECIFIED DIMENSIONS ARE IN INCHES.</p> <p>SHEET METAL TOLERANCES NOT OTHERWISE SPECIFIED:</p> <p>FINN ± 1/16"</p> <p>JXX ± .03"</p> <p>JXX ± .010"</p> <p>ANGLES ± 0°-30"</p> <p>INSIDE BEND RADIUS = .040" NOM.</p> <p>WARPAGE = 1/16" PER FOOT</p> <p>ALL WELD SIZES ARE MIN.</p>		<p>ADALET</p> <p>A SCOTT FETZER COMPANY</p> <p>Enclosure Systems • Cable Accessories</p> <p>NOTICE TO PERSONS RECEIVING THIS DRAWING: ADALLET CLAIMS PROPRIETARY RIGHTS IN THE MATERIALS INCORPORATED HEREIN. THIS DRAWING IS ISSUED IN CONFIDENCE FOR ENGINEERING INFORMATION ONLY AND MAY NOT BE REPRODUCED OR USED TO MANUFACTURE, WITHOUT EXPRESS WRITTEN CONSENT, WITHOUT PERMISSION FROM ADALLET TO THE USER.</p>	<p>N4-201606 ENCLOSURE ASSEMBLY</p> <p>DRAWN BY: CLB</p> <p>DATE: 6/4/03</p> <p>REV APPROVAL: 1=3</p> <p>REV APPROVAL: D</p> <p>DWG NO: 201606</p> <p>SHEET: 10F1</p> <p>REV: A</p>
--	--	--	---