

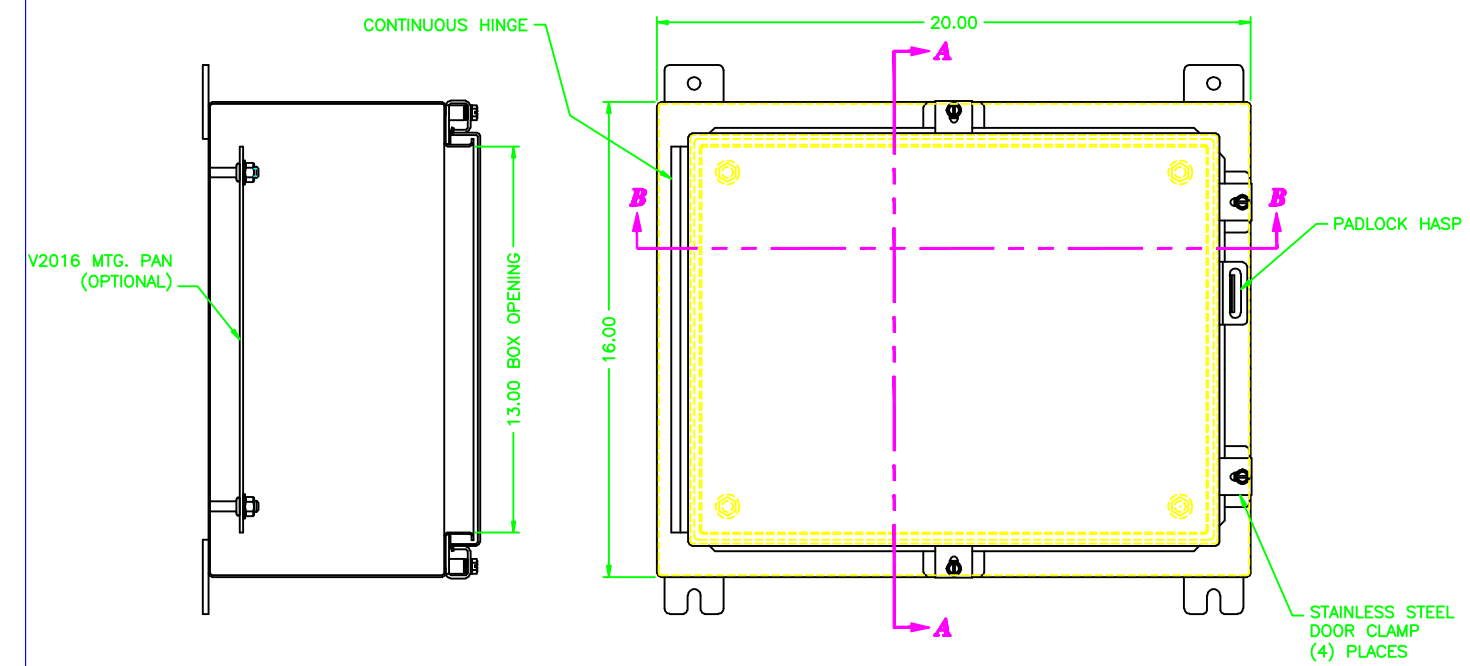
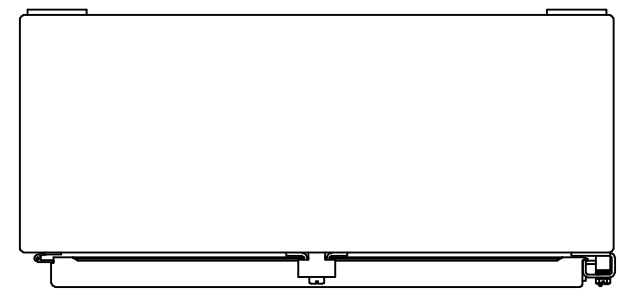
162008

REV	REVISION	BY	BCN	DATE
A	INITIAL RELEASE	CLB		7/8/03

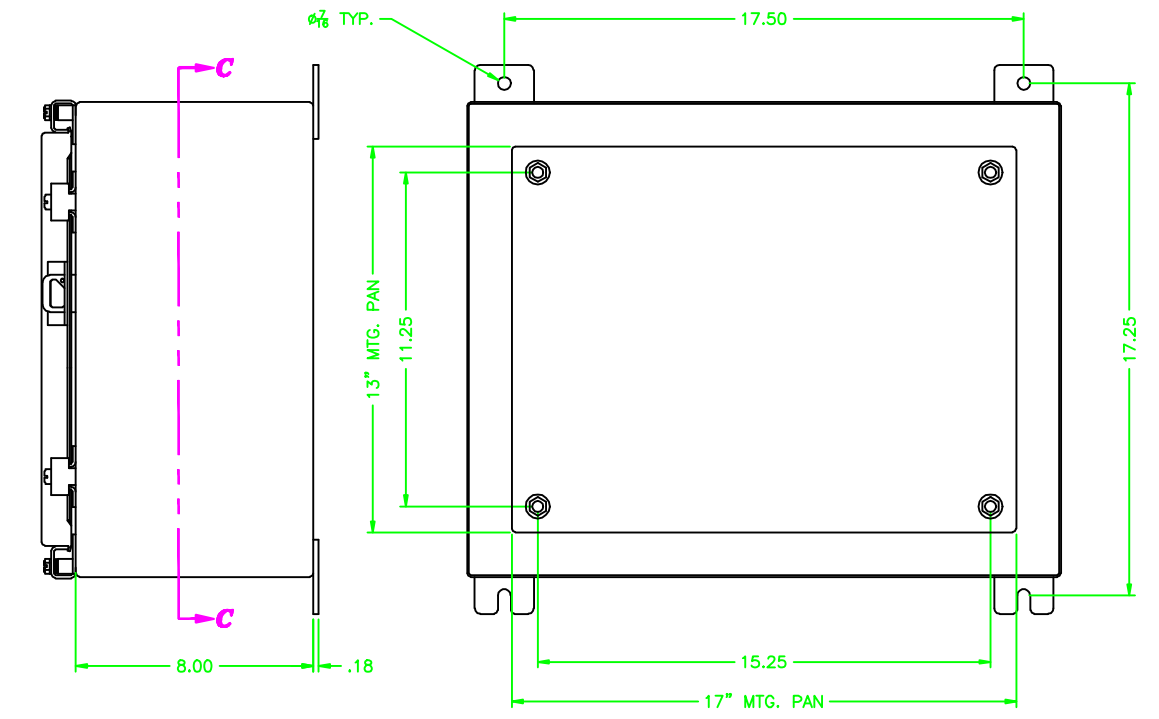
UNCONTROLLED DRAWING

(DATA SUBJECT TO CHANGE WITHOUT NOTICE)

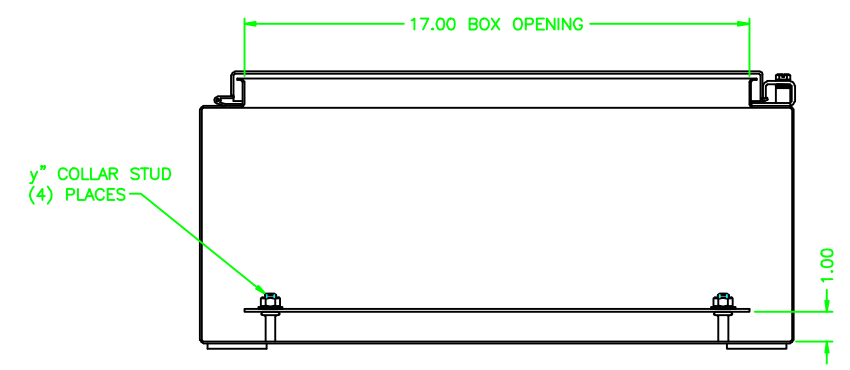
FOR ADDITIONAL HELP CONTACT ENGINEERING@ADALET.com



SECTION A-A



SECTION C-C



SECTION B-B

ENCLOSURE MATERIAL	CATALOG NUMBER	PART NUMBER
SS316L	N4XB-162008	M10223
SS304	N4X-162008	M10129

<p>UNLESS OTHERWISE SPECIFIED DIMENSIONS ARE IN INCHES.</p> <p>SHEET METAL TOLERANCES NOT OTHERWISE SPECIFIED:</p> <p>FINN ±1/16"</p> <p>JXX ±.03"</p> <p>JXX ±.010"</p> <p>ANGLES ± 0°-30"</p> <p>INSIDE BEND RADIUS = .040" NOM.</p> <p>WARPAGE = 1/16" PER FOOT</p> <p>ALL WELD SIZES ARE MIN.</p>		<p>ADALET</p> <p>A SCOTT FETZER COMPANY</p> <p>Engineers Systems • Cable Accessories</p> <p>CONTRACTORS</p>	<p>NOTICE TO PERSONS RECEIVING THIS DRAWING:</p> <p>ADALET CLAIMS PROPRIETARY RIGHTS IN THE MATERIALS INCORPORATED HEREIN. THIS DRAWING IS ISSUED IN CONFIDENCE FOR ENGINEERING INFORMATION ONLY AND MAY NOT BE REPRODUCED OR USED TO MANUFACTURE, WITHOUT EXPRESS WRITTEN PERMISSION FROM ADALET TO THE USER.</p>	<p>DATE: 7/8/03</p> <p>DRAWN BY: CLB</p> <p>REV APPROVAL: M10223</p> <p>PLAT SCALE: 1=3</p> <p>REV APPROVAL: M10129</p> <p>REV MARK: D</p>
<p>NO NOT SCALE DRAWING</p>		<p>DATE: 7/8/03</p> <p>DRAWN BY: CLB</p> <p>REV APPROVAL: M10223</p> <p>PLAT SCALE: 1=3</p> <p>REV APPROVAL: M10129</p> <p>REV MARK: D</p>	<p>N4-162008 ENCLOSURE ASSEMBLY</p>	
<p>162008</p>		<p>10F1</p>	<p>A</p>	