

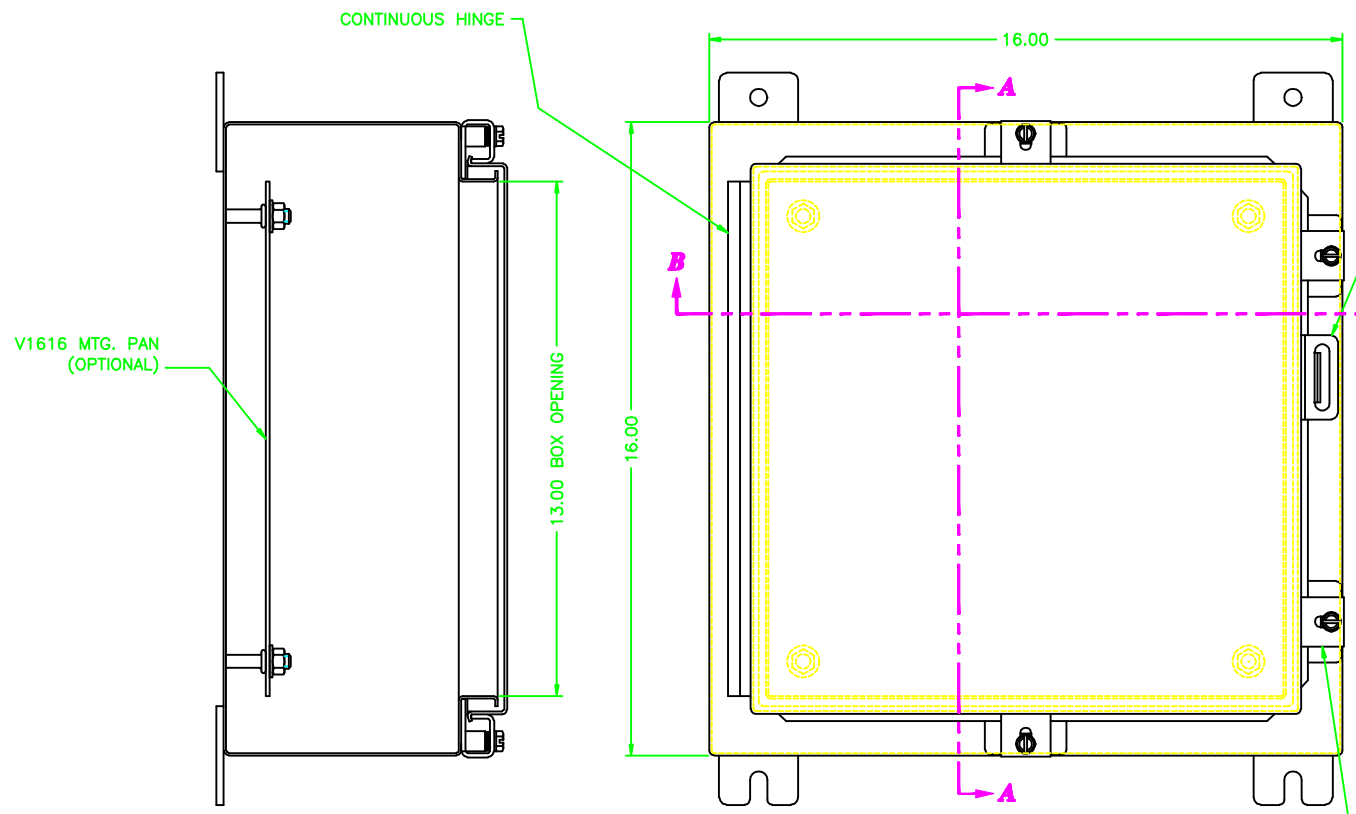
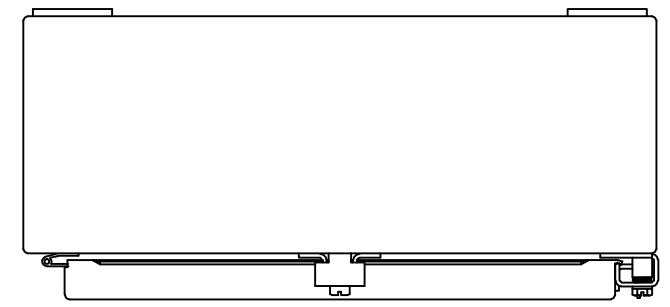
161606

REV	REVISION	BY	DCN	DATE
A	INITIAL RELEASE	CLB		7/8/03

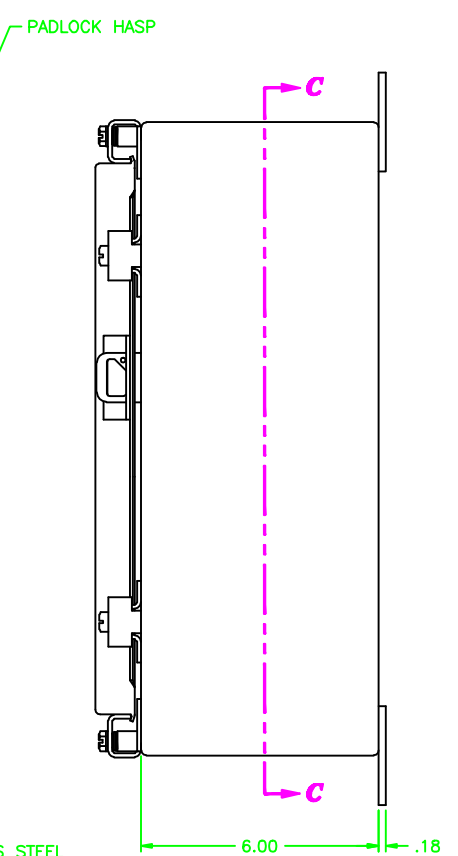
UNCONTROLLED DRAWING

(DATA SUBJECT TO CHANGE WITHOUT NOTICE)

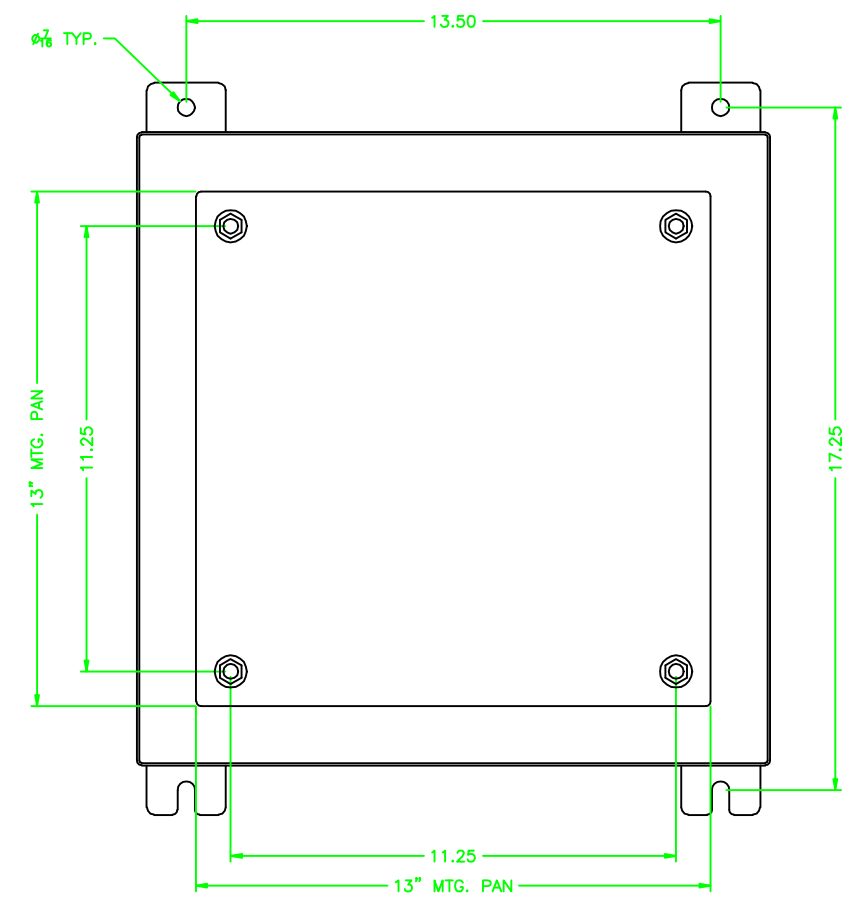
FOR ADDITIONAL HELP CONTACT ENGINEERING@ADALET.com



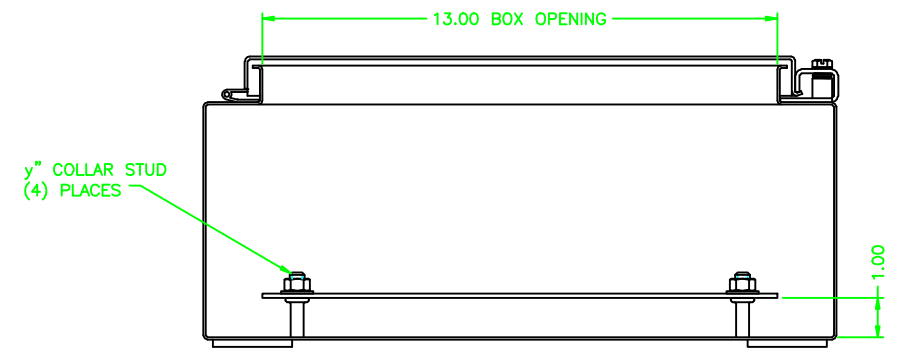
SECTION A-A



SECTION B-B



SECTION C-C



ENCLOSURE MATERIAL	CATALOG NUMBER	PART NUMBER
SS316L	N4X6-161606	M10204
SS304	N4X-161606	M10110
STEEL, POWDER COATED	N4-161606	M11202

<p>DO NOT SCALE DRAWING</p> <p>UNLESS OTHERWISE SPECIFIED DIMENSIONS ARE IN INCHES.</p> <p>SHEET METAL TOLERANCES NOT OTHERWISE SPECIFIED:</p> <p>FINISH: 316/18"</p> <p>JOG ± .02"</p> <p>JOKE ± .010"</p> <p>ANGLES ± 0°-30"</p> <p>INSIDE BEND RADIUS = .040" NOM.</p> <p>WARPAGE = 1/16" PER FOOT</p> <p>ALL WELD SIZES ARE MIN.</p>		<p>ADALET</p> <p>A SCOTT FETZER COMPANY</p> <p>Engineering Systems • Cable Assemblies</p> <p>Control Systems • 688</p>	<p>DATE: 7/8/03</p> <p>DRAWN BY: CLB</p> <p>DATE: 7/8/03</p> <p>APPROVAL: 1=2.25</p> <p>DATE: D</p>
<p>NOTICE TO PERSONS RECEIVING THIS DRAWING: ADALET CLAIMS PROPRIETARY RIGHTS IN THE MATERIAL INCLOSED HEREON. THIS DRAWING IS ISSUED IN CONFIDENCE FOR ENGINEERING INFORMATION ONLY AND MAY NOT BE REPRODUCED OR USED TO MANUFACTURE, EITHER WHOLLY OR PARTIALLY, WITHOUT WRITTEN PERMISSION FROM ADALET TO THE USER.</p>		<p>N4-161606 ENCLOSURE ASSEMBLY</p>	
<p>DATE: 7/8/03</p> <p>DATE: 7/8/03</p> <p>DATE: 7/8/03</p>		<p>DWG NO: 161606</p> <p>SHEET: 10F1</p> <p>REV: A</p>	