

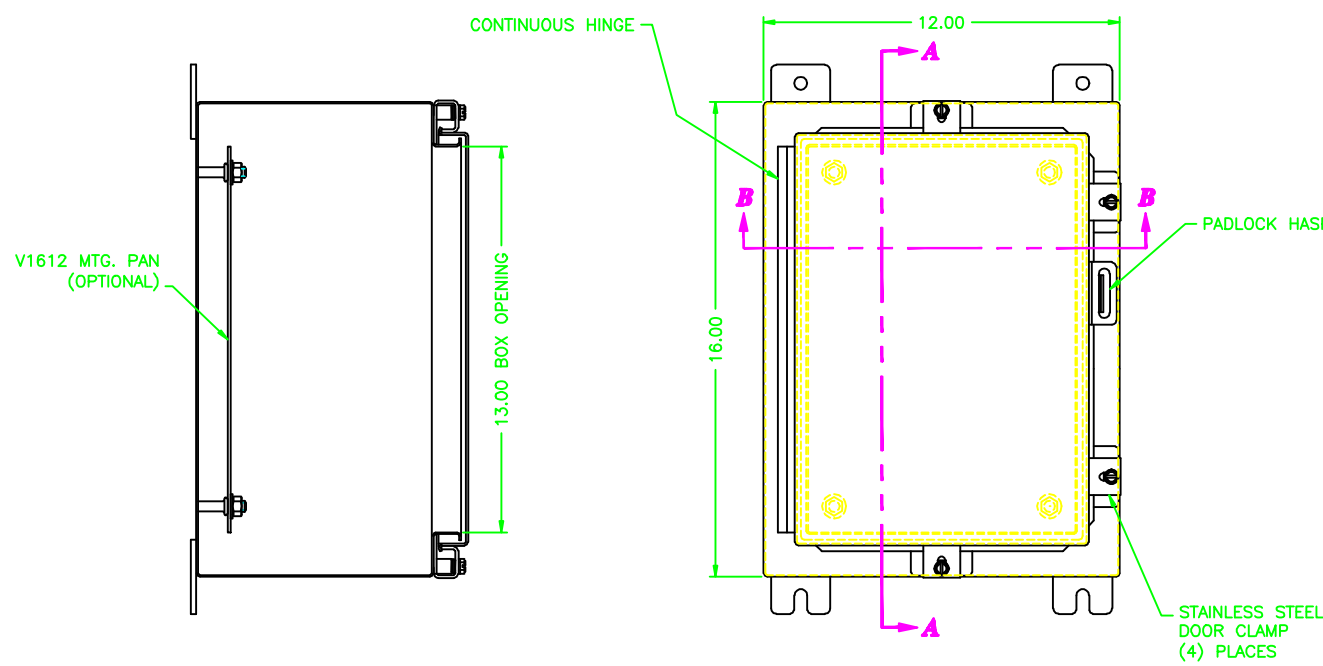
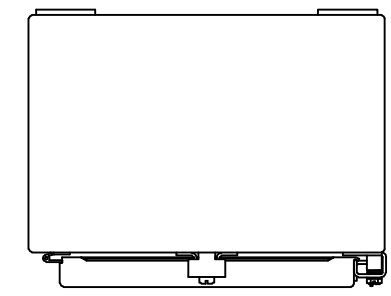
161208

REV	REVISION	BY	DCN	DATE
A	INITIAL RELEASE	CLB		6/4/03

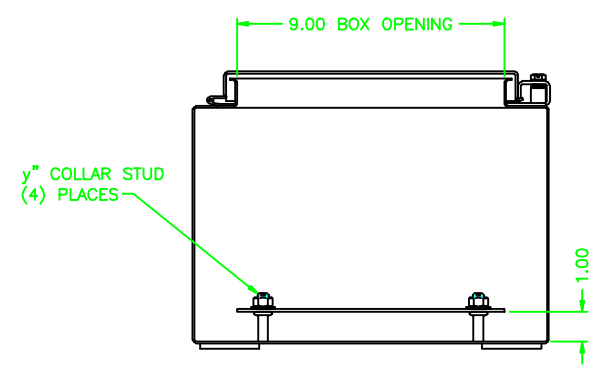
UNCONTROLLED DRAWING

(DATA SUBJECT TO CHANGE WITHOUT NOTICE)

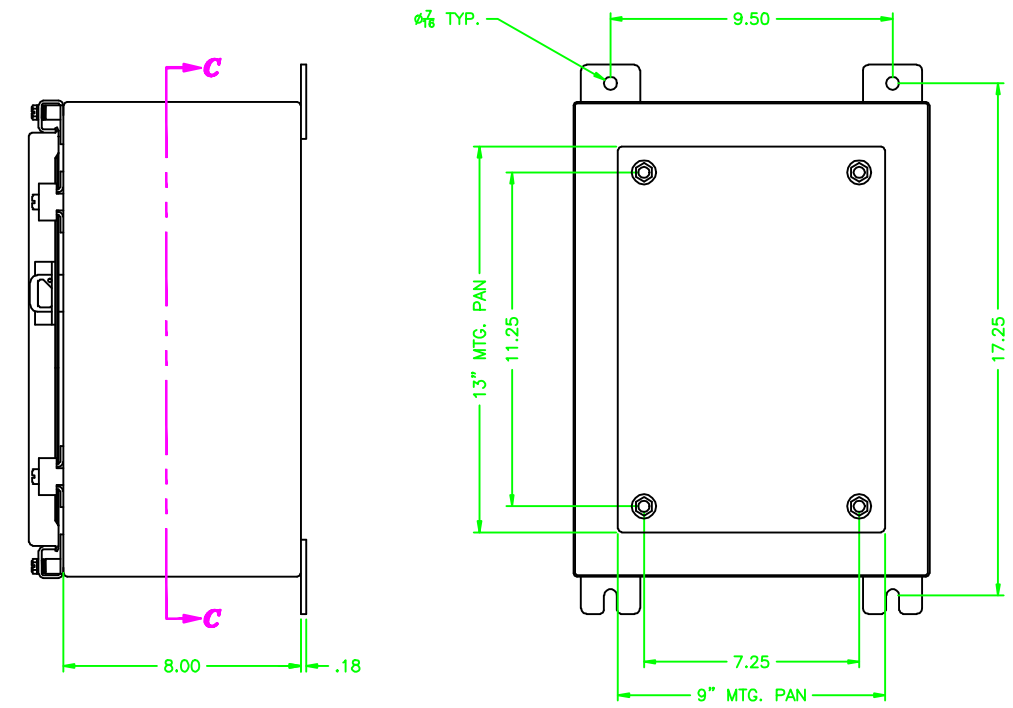
FOR ADDITIONAL HELP CONTACT ENGINEERING@ADALET.com



SECTION A-A



SECTION B-B



SECTION C-C

ENCLOSURE MATERIAL	CATALOG NUMBER	PART NUMBER
SS316L	N4XB-161208	M10221
SS304	N4X-161208	M10127

<p>UNLESS OTHERWISE SPECIFIED DIMENSIONS ARE IN INCHES.</p> <p>SHEET METAL TOLERANCES NOT OTHERWISE SPECIFIED:</p> <p>FINISH: 24/16"</p> <p>JOG ± .02"</p> <p>CHOK ± .010"</p> <p>ANGLES ± 0°-30"</p> <p>INSIDE BEND RADIUS = .040" NOM.</p> <p>WARPAGE = 1/16" PER FOOT</p> <p>ALL WELD SIZES ARE MIN.</p>		<p>ADALET</p> <p>A SCOTT FETZER COMPANY</p> <p>Engineers Systems • Cable Assemblies</p> <p>CONTRACTORS</p>	<p>DATE: 6/4/03</p> <p>BY: CLB</p> <p>SCALE: 1=3</p> <p>DWG NO: 161208</p> <p>SHEET: 10F1</p> <p>REV: A</p>
---	--	---	---