

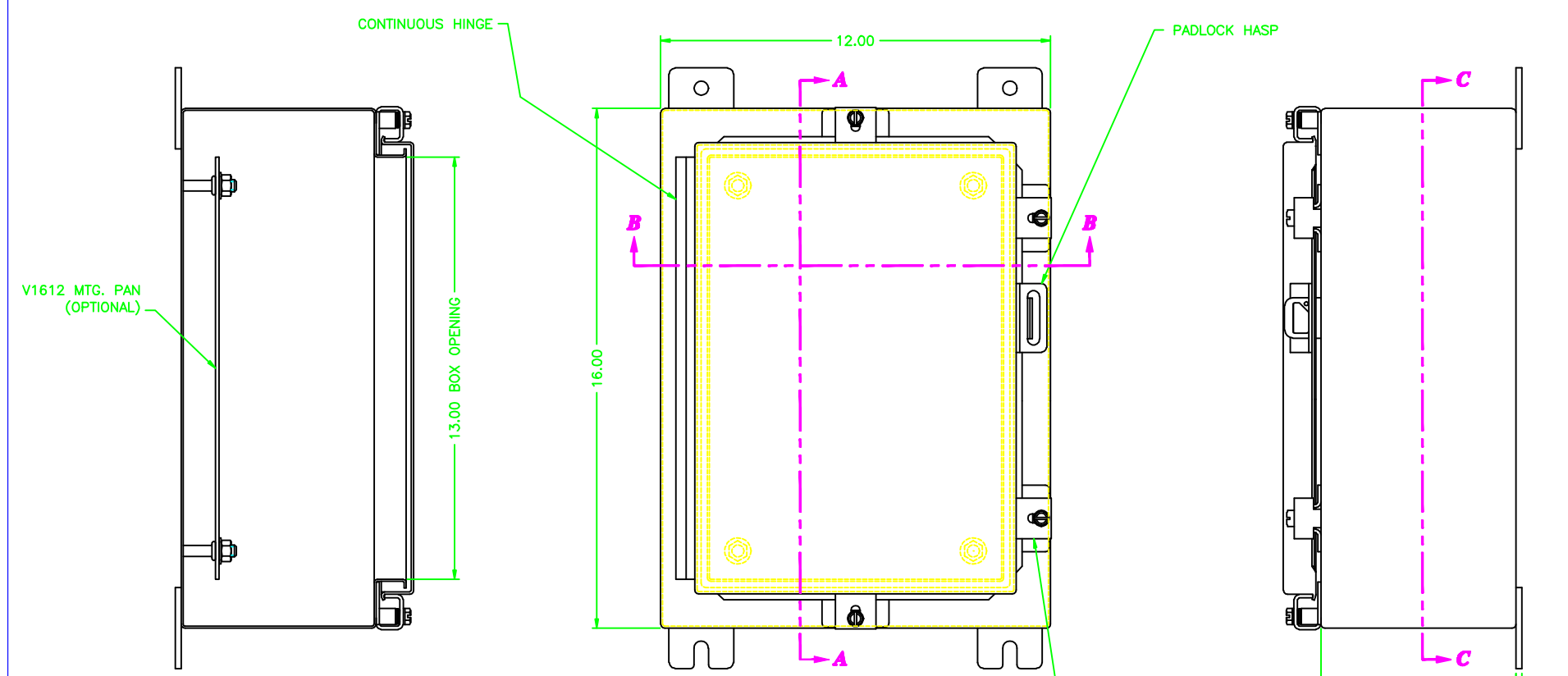
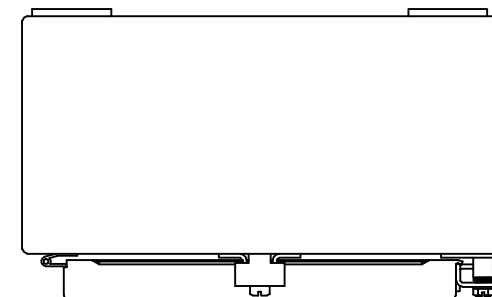
161206

REV	REVISION	BY	CHK	DATE
A	INITIAL RELEASE	CLB		7/8/03

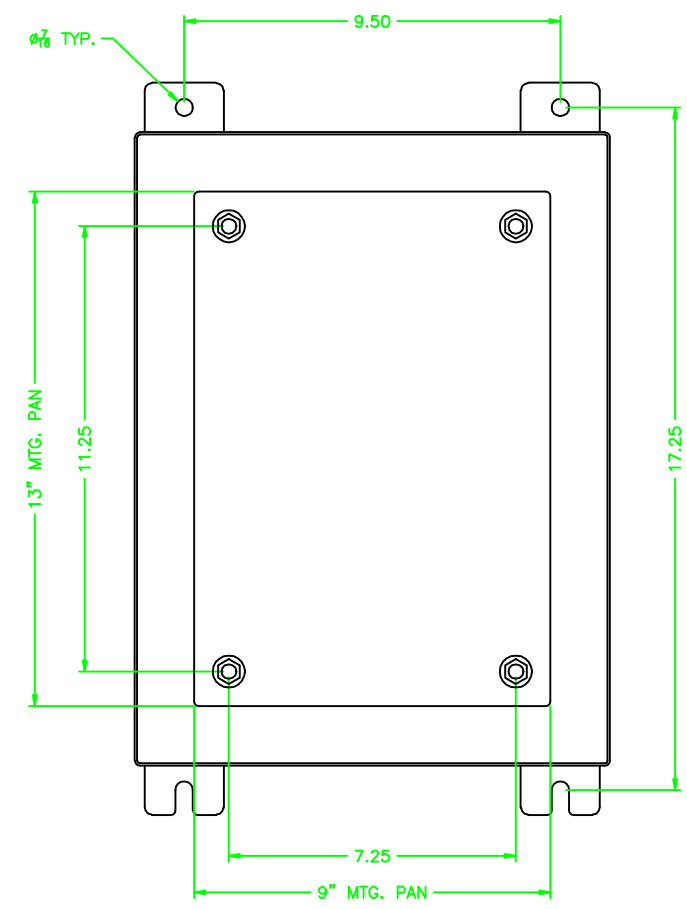
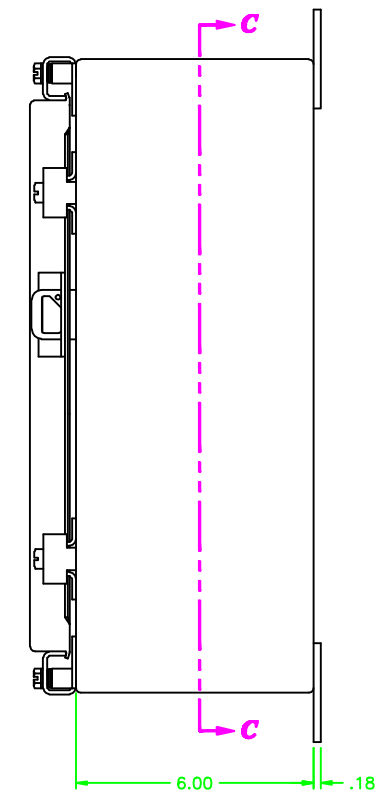
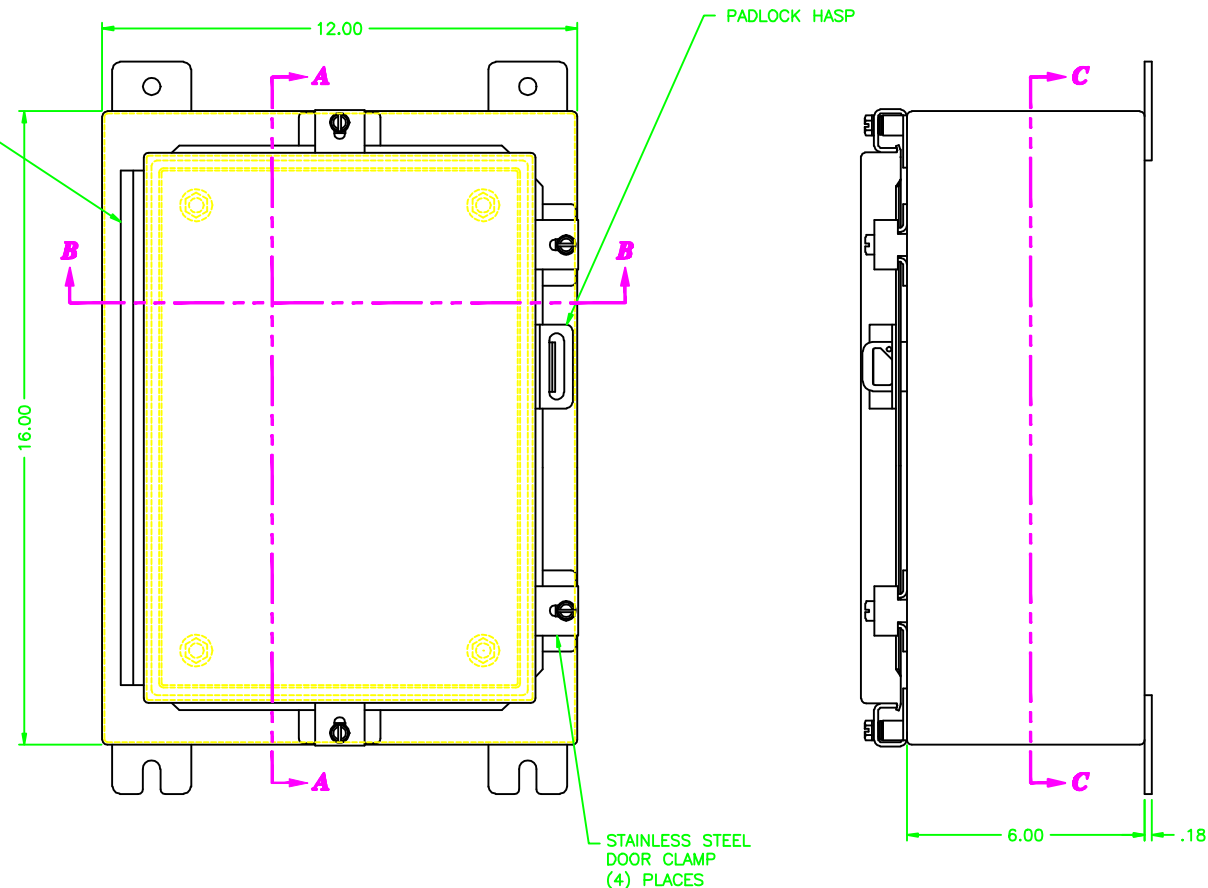
# UNCONTROLLED DRAWING

(DATA SUBJECT TO CHANGE WITHOUT NOTICE)

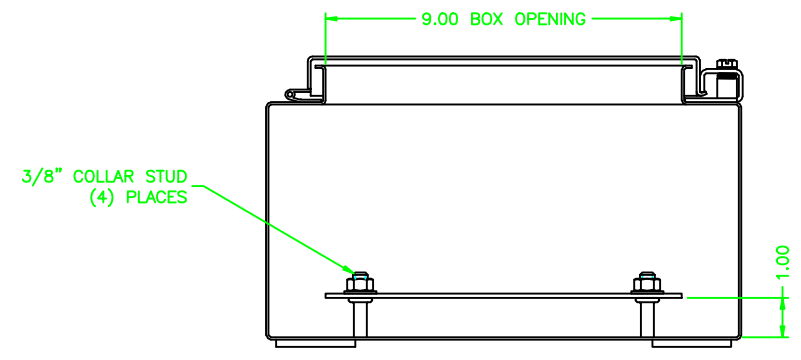
FOR ADDITIONAL HELP CONTACT ENGINEERING@ADALET.com



**SECTION A-A**



**SECTION C-C**



**SECTION B-B**

ENCLOSURE MATERIAL	CATALOG NUMBER	PART NUMBER
SS316L	N4X6-161206	M10203
SS304	N4X-161206	M10109

<b>ADALET</b> A SCOTT FETZER COMPANY Precision Systems • 5014 American Way • Houston, TX 77056		N4-161206 ENCLOSURE ASSEMBLY	
UNLESS OTHERWISE SPECIFIED: DIMENSIONS ARE IN INCHES. FINISH: MILL TOLERANCES: FRACTIONS: ±.005 DECIMALS: ±.010 ANGLES: ±0°-30' HOLE DRILL RADIUS = .040" MIN. SURFACE = 1/16" PER FOOT ALL WELD BEES ARE MFL.	DRAWN BY: CLB DATE: 7/8/03 CHECKED BY: [blank] DATE: [blank] APPROVAL: [blank] DATE: [blank]	SCALE: 1=2.25 SHEET: 10F1 TOTAL SHEETS: 11	PART NUMBER: 161206