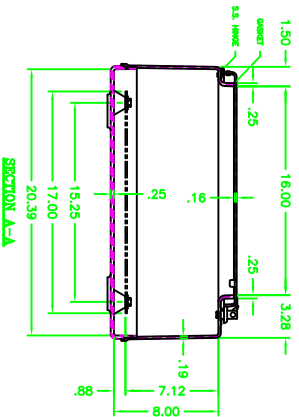
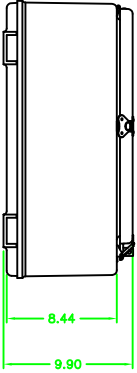
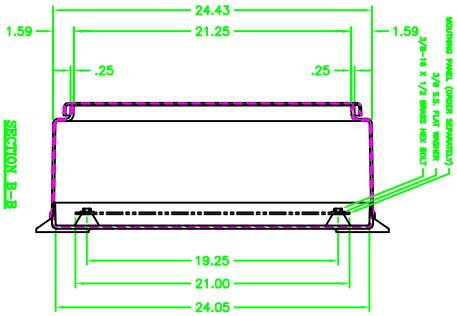
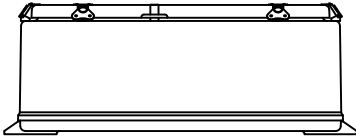
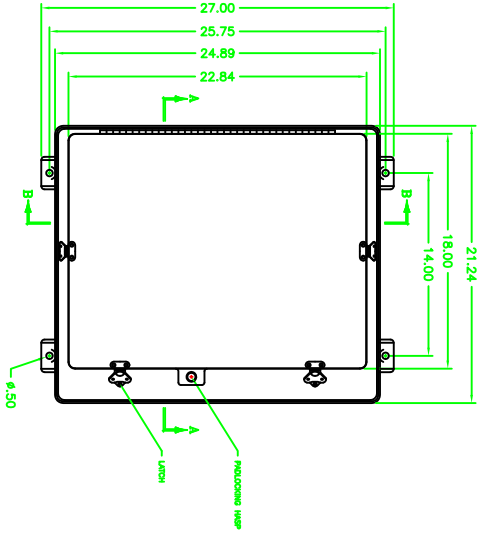


23383



UNCONTROLLED DRAWING

(DATA SUBJECT TO CHANGE WITHOUT NOTICE)

FOR ADDITIONAL HELP CONTACT ENGINEERING@ADALET.com

		ADALET CHEMICALS, INC. 444 S.W. 44th Ave., Ft. Lauderdale, FL 33309 TEL: 954-572-4444 FAX: 954-572-4445	
PART NUMBER: NAK-FG-24200BCH REV: 1		NAK-FG-24200BCH	
MATERIAL: EBERGLASS		CLR	
DATE: 5/3/04		1-5	
DRAWN BY: D		23383	
CHECKED BY:		10F1	

DATE	DESCRIPTION	BY	CHK	DATE
------	-------------	----	-----	------