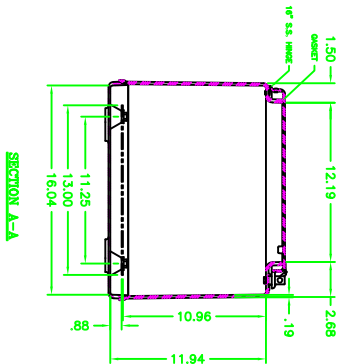
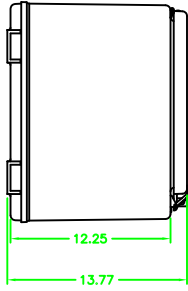
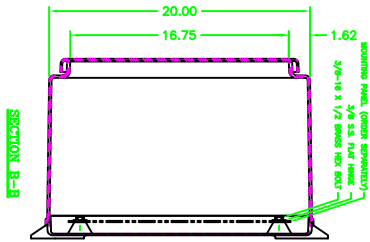
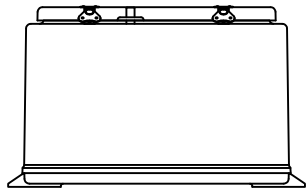
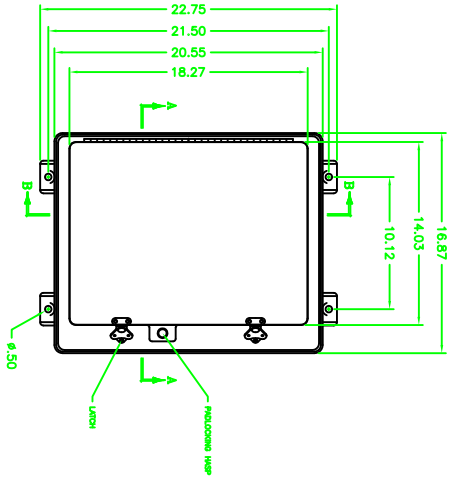


23381



UNCONTROLLED DRAWING

(DATA SUBJECT TO CHANGE WITHOUT NOTICE)

FOR ADDITIONAL HELP CONTACT ENGINEERING@ADALET.com

		ADALET CHEMUNION, OH 44138	
PART NUMBER: NAK-FG-201612CH REV: 1.0 DATE: 1/8/10		PART NUMBER: NAK-FG-201612CH REV: 1.0 DATE: 1/8/10	
DRAWN BY: EBERGLASS CHECKED BY:		DRAWN BY: EBERGLASS CHECKED BY:	
PROJECT: 23381		PROJECT: 23381	
DRAWING NO: 10F1		DRAWING NO: 10F1	